

## CHAPTER 6

# WALL CONSTRUCTION

### SECTION R601 GENERAL

**R601.1 Application.** The provisions of this chapter shall control the design and construction of all walls and partitions for all buildings.

**R601.2 Requirements.** Wall construction shall be capable of accommodating all loads imposed according to Section R301 and of transmitting the resulting loads to the supporting structural elements.

**R601.2.1 Compressible floor-covering materials.** Compressible floor-covering materials that compress more than  $\frac{1}{32}$  inch (0.8 mm) when subjected to 50 pounds (23 kg) applied over 1 inch square (645 mm) of material and are greater than  $\frac{1}{8}$  inch (3 mm) in thickness in the uncompressed state shall not extend beneath walls, partitions or columns, which are fastened to the floor.

**R601.3 Vapor retarders.** Class I or II vapor retarders are required on the interior side of frame walls in Zones 5, 6, 7, 8 and Marine 4.

**Exceptions:**

1. *Basement walls.*
2. Below *grade* portion of any wall.
3. Construction where moisture or its freezing will not damage the materials.

**R601.3.1 Class III vapor retarders.** Class III vapor retarders shall be permitted where any one of the conditions in Table R601.3.1 is met.

**R601.3.2 Material vapor retarder class.** The vapor retarder class shall be based on the manufacturer's certified testing or a tested assembly.

The following shall be deemed to meet the class specified:

- Class I: Sheet polyethylene, unperforated aluminum foil.
- Class II: Kraft-faced fiberglass batts.
- Class III: Latex or enamel paint.

**R601.3.3 Minimum clear air spaces and vented openings for vented cladding.** For the purposes of this section, vented cladding shall include the following minimum clear air spaces. Other openings with the equivalent vent area shall be permitted.

1. Vinyl lap or horizontal aluminum siding applied over a weather resistive barrier as specified in Table R703.4.
2. Brick veneer with a clear airspace as specified in Section R703.7.4.2.
3. Other *approved* vented claddings.

### SECTION R602 WOOD WALL FRAMING

**R602.1 Identification.** Load-bearing dimension lumber for studs, plates and headers shall be identified by a grade mark of

**TABLE R601.3.1  
CLASS III VAPOR RETARDERS**

ZONE	CLASS III VAPOR RETARDERS PERMITTED FOR: <sup>a</sup>
Marine 4	Vented cladding over OSB Vented cladding over plywood Vented cladding over fiberboard Vented cladding over gypsum Insulated sheathing with <i>R</i> -value $\geq 2.5$ over 2 × 4 wall Insulated sheathing with <i>R</i> -value $\geq 3.75$ over 2 × 6 wall
5	Vented cladding over OSB Vented cladding over plywood Vented cladding over fiberboard Vented cladding over gypsum Insulated sheathing with <i>R</i> -value $\geq 5$ over 2 × 4 wall Insulated sheathing with <i>R</i> -value $\geq 7.5$ over 2 × 6 wall
6	Vented cladding over fiberboard Vented cladding over gypsum Insulated sheathing with <i>R</i> -value $\geq 7.5$ over 2 × 4 wall Insulated sheathing with <i>R</i> -value $\geq 11.25$ over 2 × 6 wall
7 and 8	Insulated sheathing with <i>R</i> -value $\geq 10$ over 2 × 4 wall Insulated sheathing with <i>R</i> -value $\geq 15$ over 2 × 6 wall

For SI: 1 pound per cubic foot = 16.02 kg/m<sup>3</sup>.

a. Spray foam with a minimum density of 2 lb/ft<sup>3</sup> applied to the interior cavity side of OSB, plywood, fiberboard, insulating sheathing or gypsum is deemed to meet the insulating sheathing requirement where the spray foam *R*-value meets or exceeds the specified insulating sheathing *R*-value.

## WALL CONSTRUCTION

a lumber grading or inspection agency that has been *approved* by an accreditation body that complies with DOC PS 20. In lieu of a grade mark, a certification of inspection issued by a lumber grading or inspection agency meeting the requirements of this section shall be accepted.

**R602.1.1 End-jointed lumber.** *Approved* end-jointed lumber identified by a grade mark conforming to Section R602.1 may be used interchangeably with solid-sawn members of the same species and grade.

**R602.1.2 Structural glued laminated timbers.** Glued laminated timbers shall be manufactured and identified as required in ANSI/AITC A190.1 and ASTM D 3737.

**R602.1.3 Structural log members.** Stress grading of structural log members of nonrectangular shape, as typically used in log buildings, shall be in accordance with ASTM D 3957. Such structural log members shall be identified by the grade mark of an *approved* lumber grading or inspection agency. In lieu of a grade mark on the material, a certificate of inspection as to species and grade, issued by a lumber-grading or inspection agency meeting the requirements of this section, shall be permitted to be accepted.

**R602.2 Grade.** Studs shall be a minimum No. 3, standard or stud grade lumber.

**Exception:** Bearing studs not supporting floors and nonbearing studs may be utility grade lumber, provided the studs are spaced in accordance with Table R602.3(5).

**R602.3 Design and construction.** Exterior walls of wood-frame construction shall be designed and constructed in accordance with the provisions of this chapter and Figures R602.3(1) and R602.3(2) or in accordance with AF&PA's NDS. Components of exterior walls shall be fastened in accordance with Tables R602.3(1) through R602.3(4). Structural wall sheathing shall be fastened directly to structural framing members. Exterior wall coverings shall be capable of resisting the wind pressures listed in Table R301.2(2) adjusted for height and exposure using Table R301.2(3). Wood structural panel sheathing used for exterior walls shall conform to the requirements of Table R602.3(3).

Studs shall be continuous from support at the sole plate to a support at the top plate to resist loads perpendicular to the wall. The support shall be a foundation or floor, ceiling or roof diaphragm or shall be designed in accordance with accepted engineering practice.

**Exception:** Jack studs, trimmer studs and cripple studs at openings in walls that comply with Tables R502.5(1) and R502.5(2).

**R602.3.1 Stud size, height and spacing.** The size, height and spacing of studs shall be in accordance with Table R602.3(5).

### Exceptions:

1. Utility grade studs shall not be spaced more than 16 inches (406 mm) on center, shall not support more than a roof and ceiling, and shall not exceed 8 feet (2438 mm) in height for exterior walls and load-bearing walls or 10 feet (3048 mm) for interior nonload-bearing walls.
2. Studs more than 10 feet (3048 mm) in height which are in accordance with Table R602.3.1.

**R602.3.2 Top plate.** Wood stud walls shall be capped with a double top plate installed to provide overlapping at corners and intersections with bearing partitions. End joints in top plates shall be offset at least 24 inches (610 mm). Joints in plates need not occur over studs. Plates shall be not less than 2-inches (51 mm) nominal thickness and have a width at least equal to the width of the studs.

**Exception:** A single top plate may be installed in stud walls, provided the plate is adequately tied at joints, corners and intersecting walls by a minimum 3-inch-by-6-inch by a 0.036-inch-thick (76 mm by 152 mm by 0.914 mm) galvanized steel plate that is nailed to each wall or segment of wall by six 8d nails on each side, provided the rafters or joists are centered over the studs with a tolerance of no more than 1 inch (25 mm). The top plate may be omitted over lintels that are adequately tied to adjacent wall sections with steel plates or equivalent as previously described.

**R602.3.3 Bearing studs.** Where joists, trusses or rafters are spaced more than 16 inches (406 mm) on center and the bearing studs below are spaced 24 inches (610 mm) on center, such members shall bear within 5 inches (127 mm) of the studs beneath.

### Exceptions:

1. The top plates are two 2-inch by 6-inch (38 mm by 140 mm) or two 3-inch by 4-inch (64 mm by 89 mm) members.
2. A third top plate is installed.
3. Solid blocking equal in size to the studs is installed to reinforce the double top plate.

**R602.3.4 Bottom (sole) plate.** Studs shall have full bearing on a nominal 2-by (51 mm) or larger plate or sill having a width at least equal to the width of the studs.

**R602.3.5 Braced wall panel uplift load path.** Braced wall panels located at exterior walls that support roof rafters or trusses (including stories below top story) shall have the framing members connected in accordance with one of the following:

1. Fastening in accordance with Table R602.3(1) where:
  - 1.1. The basic wind speed does not exceed 90 mph (40 m/s), the wind exposure category is B, the roof pitch is 5:12 or greater, and the roof span is 32 feet (9754 mm) or less, or
  - 1.2. The net uplift value at the top of a wall does not exceed 100 plf (146 N/mm). The net uplift value shall be determined in accordance with Section R802.11 and shall be permitted to be reduced by 60 plf (57 N/mm) for each full wall above.
2. Where the net uplift value at the top of a wall exceeds 100 plf (146 N/mm), installing approved uplift framing connectors to provide a continuous load path from the top of the wall to the foundation or to a point where the uplift force is 100 plf (146 N/mm) or less. The net uplift value shall be as determined in Item 1.2 above.
3. Wall sheathing and fasteners designed in accordance with accepted engineering practice to resist combined uplift and shear forces.

**TABLE R602.3(1)**  
**FASTENER SCHEDULE FOR STRUCTURAL MEMBERS**

ITEM	DESCRIPTION OF BUILDING ELEMENTS	NUMBER AND TYPE OF FASTENER <sup>a, b, c</sup>	SPACING OF FASTENERS
<b>Roof</b>			
1	Blocking between joists or rafters to top plate, toe nail	3-8d (2½" × 0.113")	—
2	Ceiling joists to plate, toe nail	3-8d (2½" × 0.113")	—
3	Ceiling joists not attached to parallel rafter, laps over partitions, face nail	3-10d	—
4	Collar tie rafter, face nail or 1¼" × 20 gage ridge strap	3-10d (3" × 0.128")	—
5	Rafter to plate, toe nail	2-16d (3½" × 0.135")	—
6	Roof rafters to ridge, valley or hip rafters: toe nail face nail	4-16d (3½" × 0.135") 3-16d (3½" × 0.135")	— —
<b>Wall</b>			
7	Built-up studs, face nail	10d (3" × 0.128")	24" o.c.
7a	Abutting studs at intersecting wall corners, face nail	16d (3½" × 0.135")	12" o.c.
8	Built-up header, two pieces with ½" spacer	16d (3½" × 0.135")	16" o.c. along each edge
9	Continued header, two pieces	16d (3½" × 0.135")	16" o.c. along each edge
10	Continuous header to stud, toe nail	4-8d (2½" × 0.113")	—
11	Double studs, face nail	10d (3" × 0.128")	24" o.c.
12	Double top plates, face nail	10d (3" × 0.128")	24" o.c.
13	Double top plates, minimum 24-inch offset of end joints, face nail in lapped area	8-16d (3½" × 0.135")	—
14	Sole plate to joist or blocking, face nail	16d (3½" × 0.135")	16" o.c.
15	Sole plate to joist or blocking at braced wall panels	3-16d (3½" × 0.135")	16" o.c.
16	Stud to sole plate, toe nail	3-8d (2½" × 0.113") or 2-16d 3½" × 0.135")	— —
17	Top or sole plate to stud, end nail	2-16d (3½" × 0.135")	—
18	Top plates, laps at corners and intersections, face nail	2-10d (3" × 0.128")	—
19	1" brace to each stud and plate, face nail	2-8d (2½" × 0.113") 2 staples 1¾"	— —
20	1" × 6" sheathing to each bearing, face nail	2-8d (2½" × 0.113") 2 staples 1¾"	— —
21	1" × 8" sheathing to each bearing, face nail	2-8d (2½" × 0.113") 3 staples 1¾"	— —
22	Wider than 1" × 8" sheathing to each bearing, face nail	3-8d (2½" × 0.113") 4 staples 1¾"	— —
<b>Floor</b>			
23	Joist to sill or girder, toe nail	3-8d (2½" × 0.113")	—
24	1" × 6" subfloor or less to each joist, face nail	2-8d (2½" × 0.113") 2 staples 1¾"	— —
25	2" subfloor to joist or girder, blind and face nail	2-16d (3½" × 0.135")	—
26	Rim joist to top plate, toe nail (roof applications also)	8d (2½" × 0.113")	6" o.c.
26a	Rim joist or blocking to sill plate, toe nail	8d (2½" × 0.113")	6" o.c.
27	2" planks (plank & beam – floor & roof)	2-16d (3½" × 0.135")	at each bearing

(continued)

**TABLE R602.3(1)—continued  
FASTENER SCHEDULE FOR STRUCTURAL MEMBERS**

ITEM	DESCRIPTION OF BUILDING MATERIALS	DESCRIPTION OF FASTENER <sup>b, c, e</sup>	SPACING OF FASTENERS	
			Edges (inches) <sup>i</sup>	Intermediate supports <sup>c, e</sup> (inches)
<b>Floor—continued</b>				
28	Built-up girders and beams, 2-inch lumber layers		10d (3" × 0.128")	Nail each layer as follows: 32" o.c. at top and bottom and staggered. Two nails at ends and at each splice.
29	Ledger strip supporting joists or rafters		3-16d (3½" × 0.135")	At each joist or rafter
<b>Wood structural panels, subfloor, roof and interior wall sheathing to framing and particleboard wall sheathing to framing</b>				
30	¾" - ½"	6d common (2" × 0.113") nail (subfloor wall) <sup>j</sup> 8d common (2½" × 0.131") nail (roof)	6	12 <sup>g</sup>
31	5/16" - ½"	6d common (2" × 0.113") nail (subfloor, wall) 8d common (2½" × 0.131") nail (roof) <sup>f</sup>	6	12 <sup>g</sup>
32	19/32" - 1"	8d common nail (2½" × 0.131")	6	12 <sup>g</sup>
33	1⅛" - 1¼"	10d common (3" × 0.148") nail or 8d (2½" × 0.131") deformed nail	6	12
<b>Other wall sheathing<sup>h</sup></b>				
34	½" structural cellulosic fiberboard sheathing	½" galvanized roofing nail, 7/16" crown or 1" crown staple 16 ga., 1¼" long	3	6
35	25/32" structural cellulosic fiberboard sheathing	3/4" galvanized roofing nail, 7/16" crown or 1" crown staple 16 ga., 1½" long	3	6
36	½" gypsum sheathing <sup>d</sup>	1½" galvanized roofing nail; staple galvanized, 1½" long; 1¼ screws, Type W or S	7	7
37	5/8" gypsum sheathing <sup>d</sup>	1¾" galvanized roofing nail; staple galvanized, 1⅝" long; 1⅝ screws, Type W or S	7	7
<b>Wood structural panels, combination subfloor underlayment to framing</b>				
38	¾" and less	6d deformed (2" × 0.120") nail or 8d common (2½" × 0.131") nail	6	12
39	7/8" - 1"	8d common (2½" × 0.131") nail or 8d deformed (2½" × 0.120") nail	6	12
40	1⅛" - 1¼"	10d common (3" × 0.148") nail or 8d deformed (2½" × 0.120") nail	6	12

For SI: 1 inch = 25.4 mm, 1 foot = 304.8 mm, 1 mile per hour = 0.447 m/s; 1ksi = 6.895 MPa.

- a. All nails are smooth-common, box or deformed shanks except where otherwise stated. Nails used for framing and sheathing connections shall have minimum average bending yield strengths as shown: 80 ksi for shank diameter of 0.192 inch (20d common nail), 90 ksi for shank diameters larger than 0.142 inch but not larger than 0.177 inch, and 100 ksi for shank diameters of 0.142 inch or less.
- b. Staples are 16 gage wire and have a minimum 7/16-inch on diameter crown width.
- c. Nails shall be spaced at not more than 6 inches on center at all supports where spans are 48 inches or greater.
- d. Four-foot-by-8-foot or 4-foot-by-9-foot panels shall be applied vertically.
- e. Spacing of fasteners not included in this table shall be based on Table R602.3(2).
- f. For regions having basic wind speed of 110 mph or greater, 8d deformed (2½" × 0.120) nails shall be used for attaching plywood and wood structural panel roof sheathing to framing within minimum 48-inch distance from gable end walls, if mean roof height is more than 25 feet, up to 35 feet maximum.
- g. For regions having basic wind speed of 100 mph or less, nails for attaching wood structural panel roof sheathing to gable end wall framing shall be spaced 6 inches on center. When basic wind speed is greater than 100 mph, nails for attaching panel roof sheathing to intermediate supports shall be spaced 6 inches on center for minimum 48-inch distance from ridges, eaves and gable end walls; and 4 inches on center to gable end wall framing.
- h. Gypsum sheathing shall conform to ASTM C 1396 and shall be installed in accordance with GA 253. Fiberboard sheathing shall conform to ASTM C 208.
- i. Spacing of fasteners on floor sheathing panel edges applies to panel edges supported by framing members and required blocking and at all floor perimeters only. Spacing of fasteners on roof sheathing panel edges applies to panel edges supported by framing members and required blocking. Blocking of roof or floor sheathing panel edges perpendicular to the framing members need not be provided except as required by other provisions of this code. Floor perimeter shall be supported by framing members or solid blocking.

**TABLE R602.3(2)  
ALTERNATE ATTACHMENTS**

NOMINAL MATERIAL THICKNESS (inches)	DESCRIPTION <sup>a, b</sup> OF FASTENER AND LENGTH (inches)	SPACING <sup>c</sup> OF FASTENERS	
		Edges (inches)	Intermediate supports (inches)
<b>Wood structural panels subfloor, roof and wall sheathing to framing and particleboard wall sheathing to framing<sup>f</sup></b>			
up to 1/2	Staple 15 ga. 1 3/4	4	8
	0.097 - 0.099 Nail 2 1/4	3	6
	Staple 16 ga. 1 3/4	3	6
19/32 and 5/8	0.113 Nail 2	3	6
	Staple 15 and 16 ga. 2	4	8
	0.097 - 0.099 Nail 2 1/4	4	8
23/32 and 3/4	Staple 14 ga. 2	4	8
	Staple 15 ga. 1 3/4	3	6
	0.097 - 0.099 Nail 2 1/4	4	8
	Staple 16 ga. 2	4	8
1	Staple 14 ga. 2 1/4	4	8
	0.113 Nail 2 1/4	3	6
	Staple 15 ga. 2 1/4	4	8
	0.097 - 0.099 Nail 2 1/2	4	8
NOMINAL MATERIAL THICKNESS (inches)	DESCRIPTION <sup>a, b</sup> OF FASTENER AND LENGTH (inches)	SPACING <sup>c</sup> OF FASTENERS	
		Edges (inches)	Body of panel <sup>d</sup> (inches)
<b>Floor underlayment; plywood-hardboard-particleboard<sup>f</sup></b>			
<b>Plywood</b>			
1/4 and 5/16	1 1/4 ring or screw shank nail—minimum 12 1/2 ga. (0.099") shank diameter	3	6
	Staple 18 ga., 7/8, 3/16 crown width	2	5
11/32, 3/8, 15/32, and 1/2	1 1/4 ring or screw shank nail—minimum 12 1/2 ga. (0.099") shank diameter	6	8 <sup>e</sup>
19/32, 5/8, 23/32 and 3/4	1 1/2 ring or screw shank nail—minimum 12 1/2 ga. (0.099") shank diameter	6	8
	Staple 16 ga. 1 1/2	6	8
<b>Hardboard<sup>f</sup></b>			
0.200	1 1/2 long ring-grooved underlayment nail	6	6
	4d cement-coated sinker nail	6	6
	Staple 18 ga., 7/8 long (plastic coated)	3	6
<b>Particleboard</b>			
1/4	4d ring-grooved underlayment nail	3	6
	Staple 18 ga., 7/8 long, 3/16 crown	3	6
3/8	6d ring-grooved underlayment nail	6	10
	Staple 16 ga., 1 1/8 long, 3/8 crown	3	6
1/2, 5/8	6d ring-grooved underlayment nail	6	10
	Staple 16 ga., 1 5/8 long, 3/8 crown	3	6

For SI: 1 inch = 25.4 mm.

a. Nail is a general description and may be T-head, modified round head or round head.

b. Staples shall have a minimum crown width of 7/16-inch on diameter except as noted.

c. Nails or staples shall be spaced at not more than 6 inches on center at all supports where spans are 48 inches or greater. Nails or staples shall be spaced at not more than 12 inches on center at intermediate supports for floors.

d. Fasteners shall be placed in a grid pattern throughout the body of the panel.

e. For 5-ply panels, intermediate nails shall be spaced not more than 12 inches on center each way.

f. Hardboard underlayment shall conform to ANSI/AHA A135.4.

**TABLE R602.3(3)**  
**REQUIREMENTS FOR WOOD STRUCTURAL PANEL**  
**WALL SHEATHING USED TO RESIST WIND PRESSURES<sup>a,b,c</sup>**

MINIMUM NAIL		MINIMUM WOOD STRUCTURAL PANEL SPAN RATING	MINIMUM NOMINAL PANEL THICKNESS (inches)	MAXIMUM WALL STUD SPACING (inches)	PANEL NAIL SPACING		MAXIMUM WIND SPEED (mph)		
Size	Penetration (inches)				Wind exposure category				
					B	C	D		
6d Common (2.0" × 0.113")	1.5	24/0	3/8	16	Edges (inches o.c.)	Field (inches o.c.)	110	90	85
8d Common (2.5" × 0.131")	1.75	24/16	7/16	16	6	12	130	110	105
				24	6	12	110	90	85

For SI: 1 inch = 25.4 mm, 1 mile per hour = 0.447 m/s.

- a. Panel strength axis parallel or perpendicular to supports. Three-ply plywood sheathing with studs spaced more than 16 inches on center shall be applied with panel strength axis perpendicular to supports.
- b. Table is based on wind pressures acting toward and away from building surfaces per Section R301.2. Lateral bracing requirements shall be in accordance with Section R602.10.
- c. Wood Structural Panels with span ratings of Wall-16 or Wall-24 shall be permitted as an alternate to panels with a 24/0 span rating. Plywood siding rated 16 oc or 24 oc shall be permitted as an alternate to panels with a 24/16 span rating. Wall-16 and Plywood siding 16 oc shall be used with studs spaced a maximum of 16 inches on center.

**TABLE R602.3(4)**  
**ALLOWABLE SPANS FOR PARTICLEBOARD WALL SHEATHING<sup>a</sup>**

THICKNESS (inch)	GRADE	STUD SPACING (inches)	
		When siding is nailed to studs	When siding is nailed to sheathing
3/8	M—1 Exterior glue	16	—
1/2	M—2 Exterior glue	16	16

For SI: 1 inch = 25.4 mm.

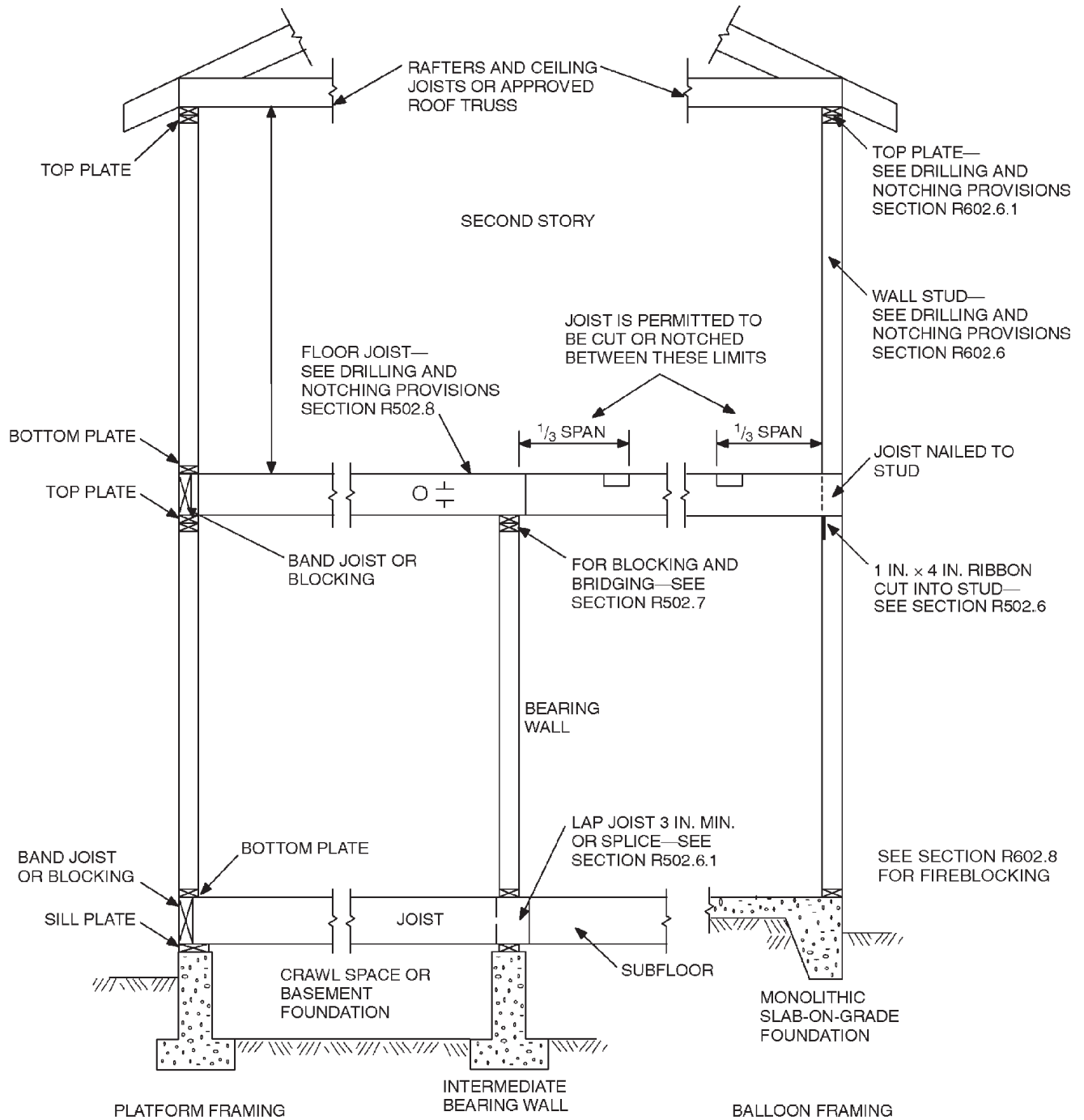
- a. Wall sheathing not exposed to the weather. If the panels are applied horizontally, the end joints of the panel shall be offset so that four panels corners will not meet. All panel edges must be supported. Leave a 1/16-inch gap between panels and nail no closer than 3/8 inch from panel edges.

**TABLE R602.3(5)**  
**SIZE, HEIGHT AND SPACING OF WOOD STUDS<sup>a</sup>**

STUD SIZE (inches)	BEARING WALLS					NONBEARING WALLS	
	Laterally unsupported stud height <sup>a</sup> (feet)	Maximum spacing when supporting a roof-ceiling assembly or a habitable attic assembly, only (inches)	Maximum spacing when supporting one floor, plus a roof-ceiling assembly or a habitable attic assembly (inches)	Maximum spacing when supporting two floors, plus a roof-ceiling assembly or a habitable attic assembly (inches)	Maximum spacing when supporting one floor height <sup>a</sup> (feet)	Laterally unsupported stud height <sup>a</sup> (feet)	Maximum spacing (inches)
2 × 3 <sup>b</sup>	—	—	—	—	—	10	16
2 × 4	10	24 <sup>c</sup>	16 <sup>c</sup>	—	24	14	24
3 × 4	10	24	24	16	24	14	24
2 × 5	10	24	24	—	24	16	24
2 × 6	10	24	24	16	24	20	24

For SI: 1 inch = 25.4 mm, 1 foot = 304.8 mm, 1 square foot = 0.093 m<sup>2</sup>.

- a. Listed heights are distances between points of lateral support placed perpendicular to the plane of the wall. Increases in unsupported height are permitted where justified by analysis.
- b. Shall not be used in exterior walls.
- c. A habitable attic assembly supported by 2 × 4 studs is limited to a roof span of 32 feet. Where the roof span exceeds 32 feet, the wall studs shall be increased to 2 × 6 or the studs shall be designed in accordance with accepted engineering practice.

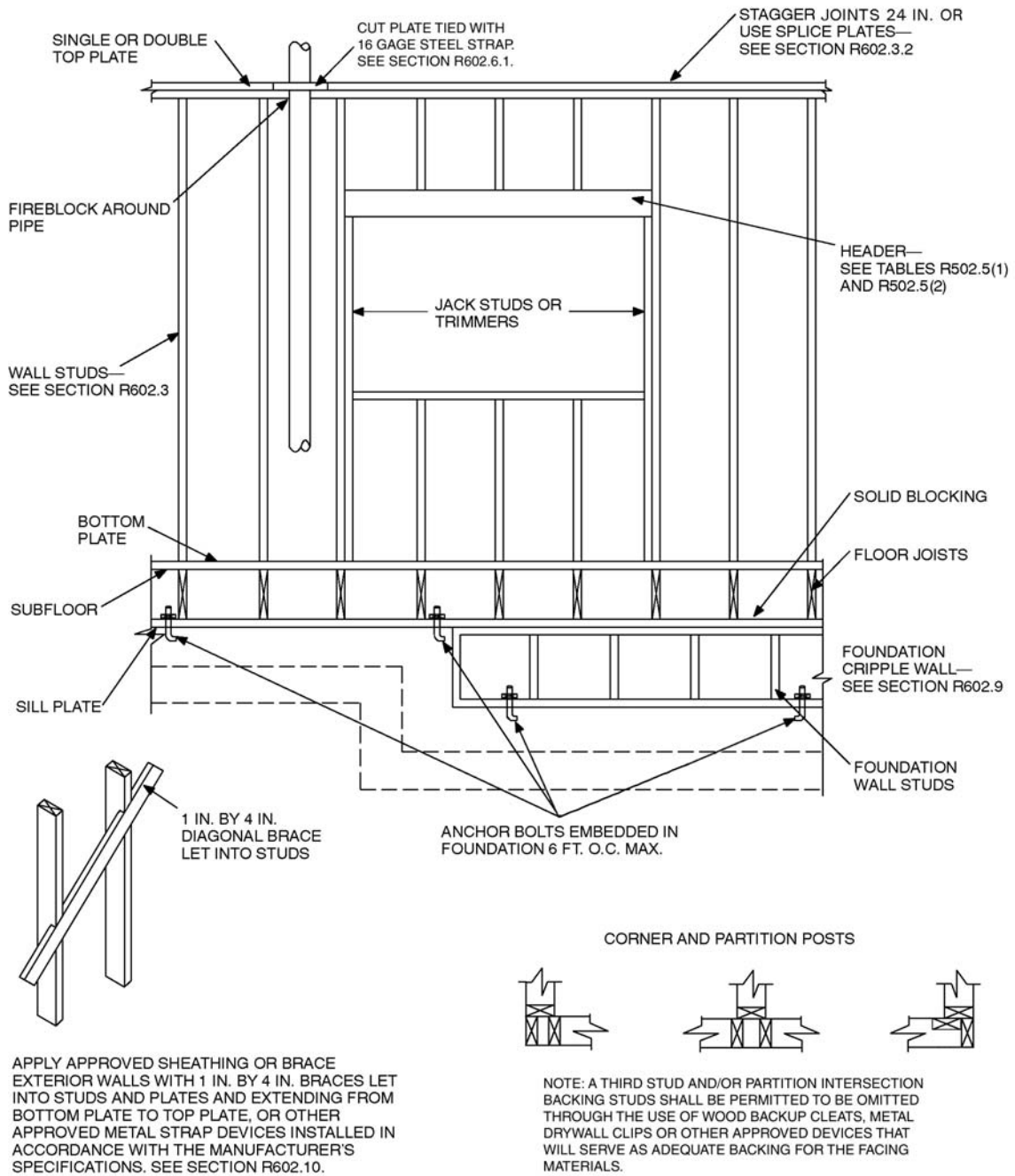


For SI: 1 inch = 25.4 mm.

**FIGURE R602.3(1)**  
**TYPICAL WALL, FLOOR AND ROOF FRAMING**



**WALL CONSTRUCTION**



For SI: 1 inch = 25.4 mm, 1 foot = 304.8 mm.

**FIGURE R602.3(2)  
FRAMING DETAILS**



**TABLE R602.3.1**  
**MAXIMUM ALLOWABLE LENGTH OF WOOD WALL STUDS EXPOSED TO WIND SPEEDS OF 100 mph OR LESS**  
**IN SEISMIC DESIGN CATEGORIES A, B, C, D<sub>0</sub>, D<sub>1</sub> and D<sub>2</sub><sup>b,c</sup>**

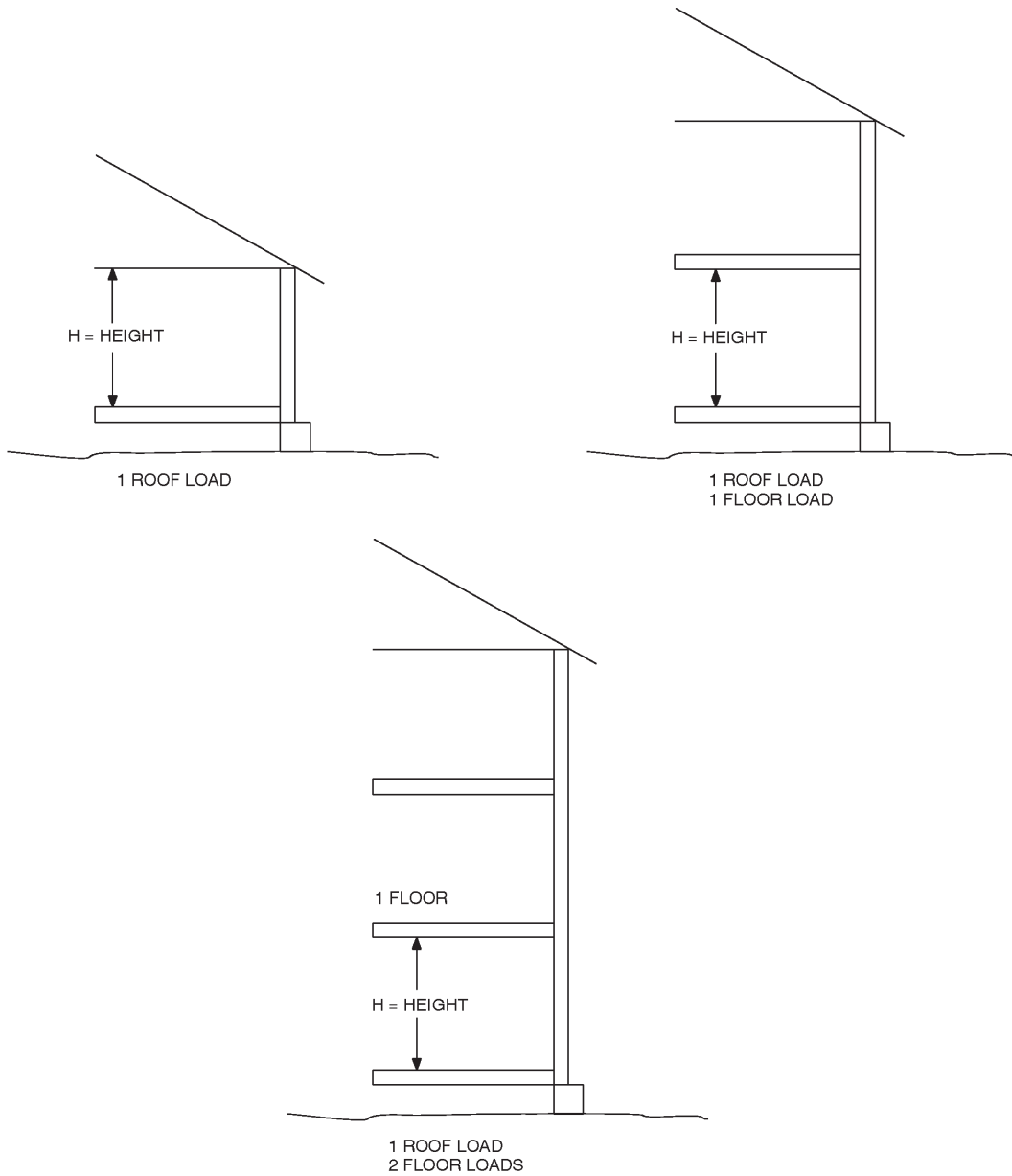
HEIGHT (feet)	ON-CENTER SPACING (inches)			
	24	16	12	8
<b>Supporting a roof only</b>				
>10	2 × 4	2 × 4	2 × 4	2 × 4
12	2 × 6	2 × 4	2 × 4	2 × 4
14	2 × 6	2 × 6	2 × 6	2 × 4
16	2 × 6	2 × 6	2 × 6	2 × 4
18	NA <sup>a</sup>	2 × 6	2 × 6	2 × 6
20	NA <sup>a</sup>	NA <sup>a</sup>	2 × 6	2 × 6
24	NA <sup>a</sup>	NA <sup>a</sup>	NA <sup>a</sup>	2 × 6
<b>Supporting one floor and a roof</b>				
>10	2 × 6	2 × 4	2 × 4	2 × 4
12	2 × 6	2 × 6	2 × 6	2 × 4
14	2 × 6	2 × 6	2 × 6	2 × 6
16	NA <sup>a</sup>	2 × 6	2 × 6	2 × 6
18	NA <sup>a</sup>	2 × 6	2 × 6	2 × 6
20	NA <sup>a</sup>	NA <sup>a</sup>	2 × 6	2 × 6
24	NA <sup>a</sup>	NA <sup>a</sup>	NA <sup>a</sup>	2 × 6
<b>Supporting two floors and a roof</b>				
>10	2 × 6	2 × 6	2 × 4	2 × 4
12	2 × 6	2 × 6	2 × 6	2 × 6
14	2 × 6	2 × 6	2 × 6	2 × 6
16	NA <sup>a</sup>	NA <sup>a</sup>	2 × 6	2 × 6
18	NA <sup>a</sup>	NA <sup>a</sup>	2 × 6	2 × 6
20	NA <sup>a</sup>	NA <sup>a</sup>	NA <sup>a</sup>	2 × 6
22	NA <sup>a</sup>	NA <sup>a</sup>	NA <sup>a</sup>	NA <sup>a</sup>
24	NA <sup>a</sup>	NA <sup>a</sup>	NA <sup>a</sup>	NA <sup>a</sup>

For SI: 1 inch = 25.4 mm, 1 foot = 304.8 mm, 1 pound per square foot = 0.0479 kPa,  
1 pound per square inch = 6.895 kPa, 1 mile per hour = 0.447 m/s.

- Design required.
- Applicability of this table assumes the following: Snow load not exceeding 25 psf,  $f_b$  not less than 1310 psi determined by multiplying the AF&PA NDS tabular base design value by the repetitive use factor, and by the size factor for all species except southern pine, E not less than  $1.6 \times 10^6$  psi, tributary dimensions for floors and roofs not exceeding 6 feet, maximum span for floors and roof not exceeding 12 feet, eaves not over 2 feet in dimension and exterior sheathing. Where the conditions are not within these parameters, design is required.
- Utility, standard, stud and No. 3 grade lumber of any species are not permitted.

*(continued)*

TABLE R602.3.1—continued  
MAXIMUM ALLOWABLE LENGTH OF WOOD WALL STUDS EXPOSED TO WIND SPEEDS OF 100 mph OR LESS  
IN SEISMIC DESIGN CATEGORIES A, B, C, D<sub>0</sub>, D<sub>1</sub> and D<sub>2</sub>



**R602.4 Interior load-bearing walls.** Interior load-bearing walls shall be constructed, framed and fireblocked as specified for exterior walls.

**R602.5 Interior nonbearing walls.** Interior nonbearing walls shall be permitted to be constructed with 2-inch-by-3-inch (51 mm by 76 mm) studs spaced 24 inches (610 mm) on center or, when not part of a *braced wall line*, 2-inch-by-4-inch (51 mm by 102 mm) flat studs spaced at 16 inches (406 mm) on center. Interior nonbearing walls shall be capped with at least a single top plate. Interior nonbearing walls shall be fireblocked in accordance with Section R602.8.

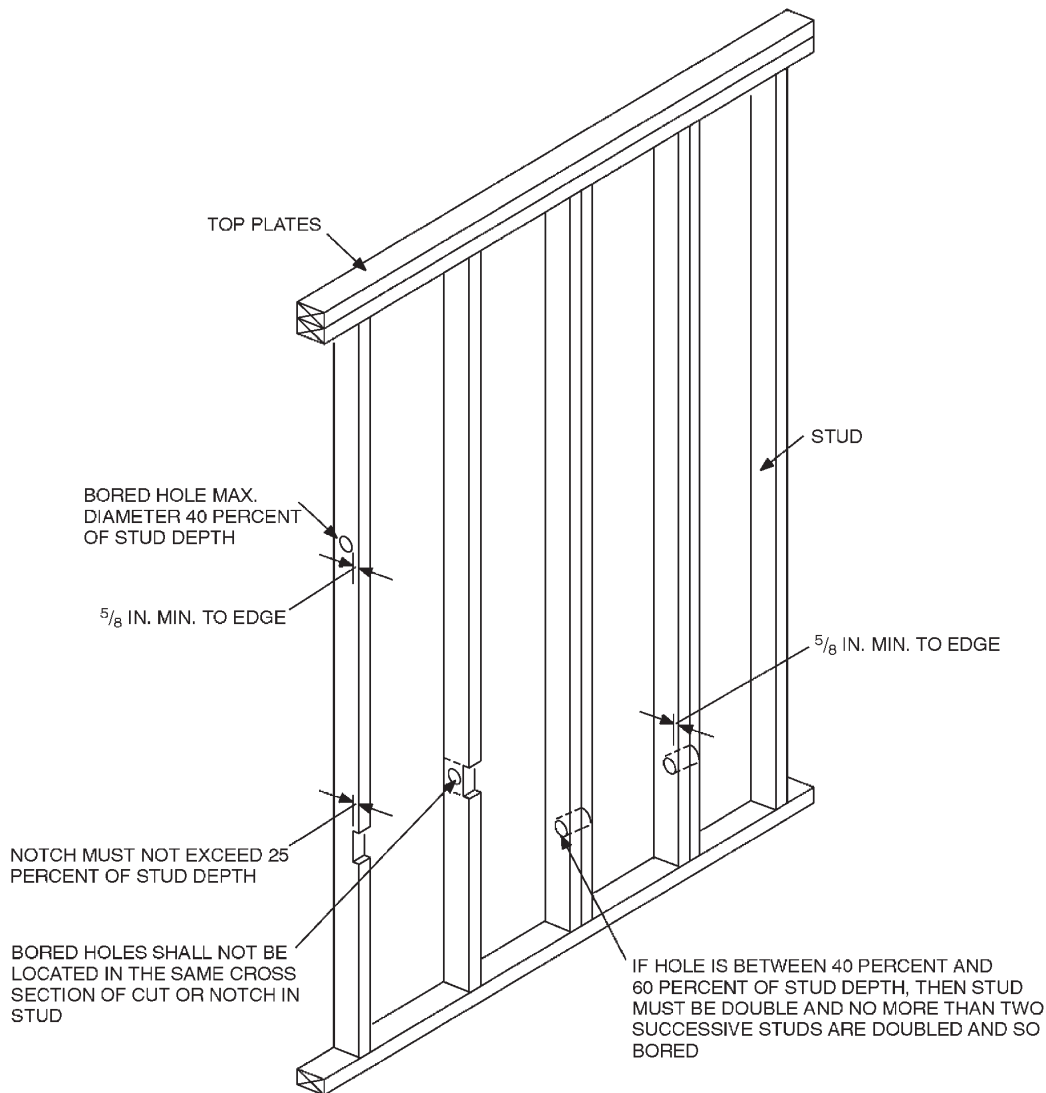
**R602.6 Drilling and notching—studs.** Drilling and notching of studs shall be in accordance with the following:

1. Notching. Any stud in an exterior wall or bearing partition may be cut or notched to a depth not exceeding 25 percent

of its width. Studs in nonbearing partitions may be notched to a depth not to exceed 40 percent of a single stud width.

2. Drilling. Any stud may be bored or drilled, provided that the diameter of the resulting hole is no more than 60 percent of the stud width, the edge of the hole is no more than  $\frac{5}{8}$  inch (16 mm) to the edge of the stud, and the hole is not located in the same section as a cut or notch. Studs located in exterior walls or bearing partitions drilled over 40 percent and up to 60 percent shall also be doubled with no more than two successive doubled studs bored. See Figures R602.6(1) and R602.6(2).

**Exception:** Use of *approved* stud shoes is permitted when they are installed in accordance with the manufacturer’s recommendations.

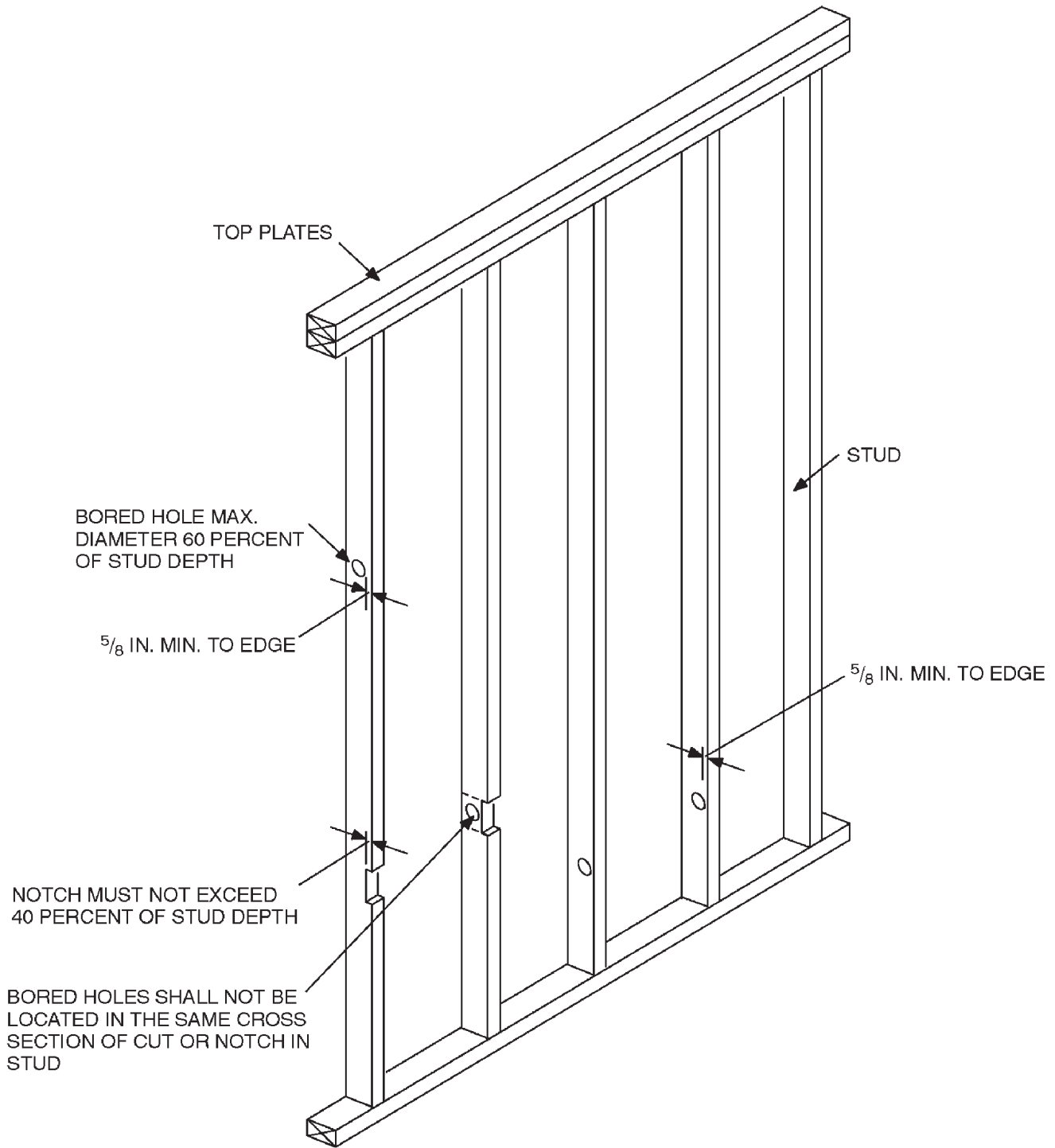


For SI: 1 inch = 25.4 mm.

**NOTE:** Condition for exterior and bearing walls.

**FIGURE R602.6(1)**  
**NOTCHING AND BORED HOLE LIMITATIONS FOR EXTERIOR WALLS AND BEARING WALLS**

**WALL CONSTRUCTION**



For SI: 1 inch = 25.4 mm.

**FIGURE R602.6(2)**  
**NOTCHING AND BORED HOLE LIMITATIONS FOR INTERIOR NONBEARING WALLS**

**R602.6.1 Drilling and notching of top plate.** When piping or ductwork is placed in or partly in an exterior wall or interior load-bearing wall, necessitating cutting, drilling or notching of the top plate by more than 50 percent of its width, a galvanized metal tie not less than 0.054 inch thick (1.37 mm) (16 ga) and 1½ inches (38 mm) wide shall be fastened across and to the plate at each side of the opening with not less than eight 10d (0.148 inch diameter) having a minimum length of 1½ inches (38 mm) at each side or equivalent. The metal tie must extend a minimum of 6 inches past the opening. See Figure R602.6.1.

**Exception:** When the entire side of the wall with the notch or cut is covered by wood structural panel sheathing.

**R602.7 Headers.** For header spans see Tables R502.5(1) and R502.5(2).

**R602.7.1 Wood structural panel box headers.** Wood structural panel box headers shall be constructed in accordance with Figure R602.7.2 and Table R602.7.2.

**R602.7.2 Nonbearing walls.** Load-bearing headers are not required in interior or exterior nonbearing walls. A single flat 2-inch-by-4-inch (51 mm by 102 mm) member may be used as a header in interior or exterior nonbearing walls for openings up to 8 feet (2438 mm) in width if the vertical distance to the parallel nailing surface above is not more than 24 inches (610 mm). For such nonbearing

headers, no cripples or blocking are required above the header.

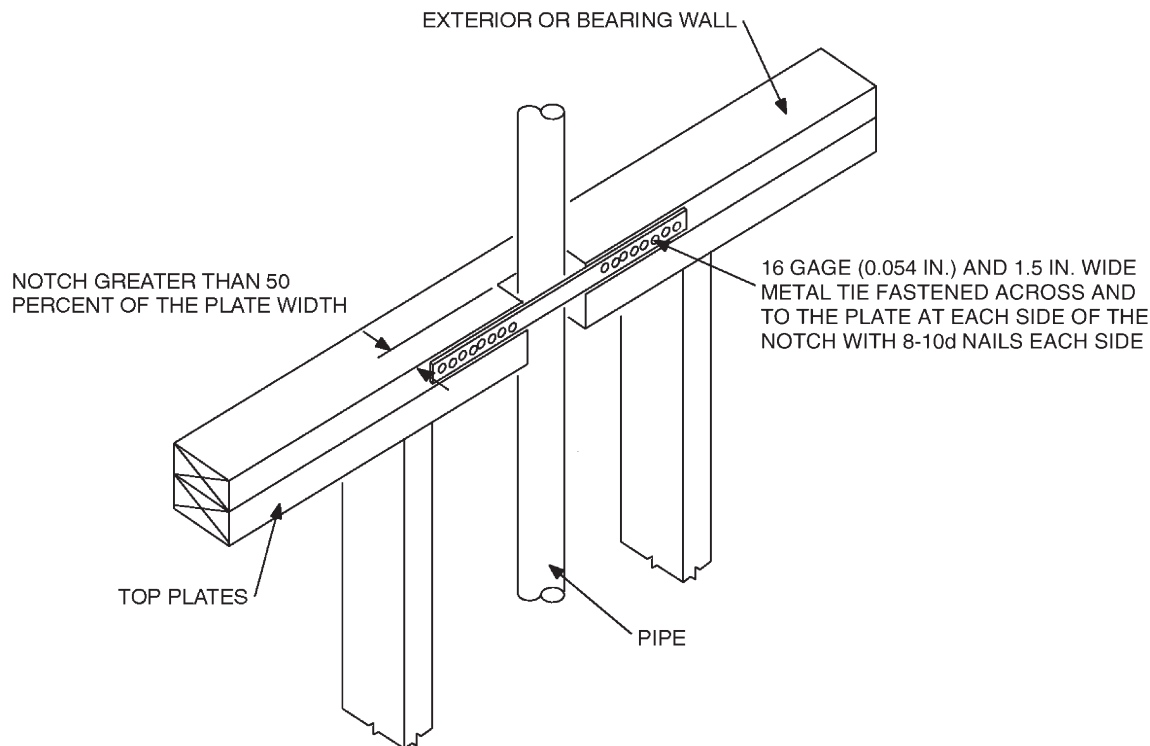
**R602.8 Fireblocking required.** Fireblocking shall be provided in accordance with Section R302.11.

**R602.9 Cripple walls.** Foundation cripple walls shall be framed of studs not smaller than the studding above. When exceeding 4 feet (1219 mm) in height, such walls shall be framed of studs having the size required for an additional story.

Cripple walls with a stud height less than 14 inches (356 mm) shall be continuously sheathed on one side with wood structural panels fastened to both the top and bottom plates in accordance with Table R602.3(1), or the cripple walls shall be constructed of solid blocking. Cripple walls shall be supported on continuous foundations.

**R602.10 Wall bracing.** Buildings shall be braced in accordance with this section, or, when applicable, Section R602.12. Where a building, or portion thereof, does not comply with one or more of the bracing requirements in this section, those portions shall be designed and constructed in accordance with Section R301.1.

The building official may require the permit applicant to identify and locate on the construction documents braced wall lines and braced wall panels as described herein.



For SI: 1 inch = 25.4 mm.

**FIGURE R602.6.1**  
**TOP PLATE FRAMING TO ACCOMMODATE PIPING**

**WALL CONSTRUCTION**

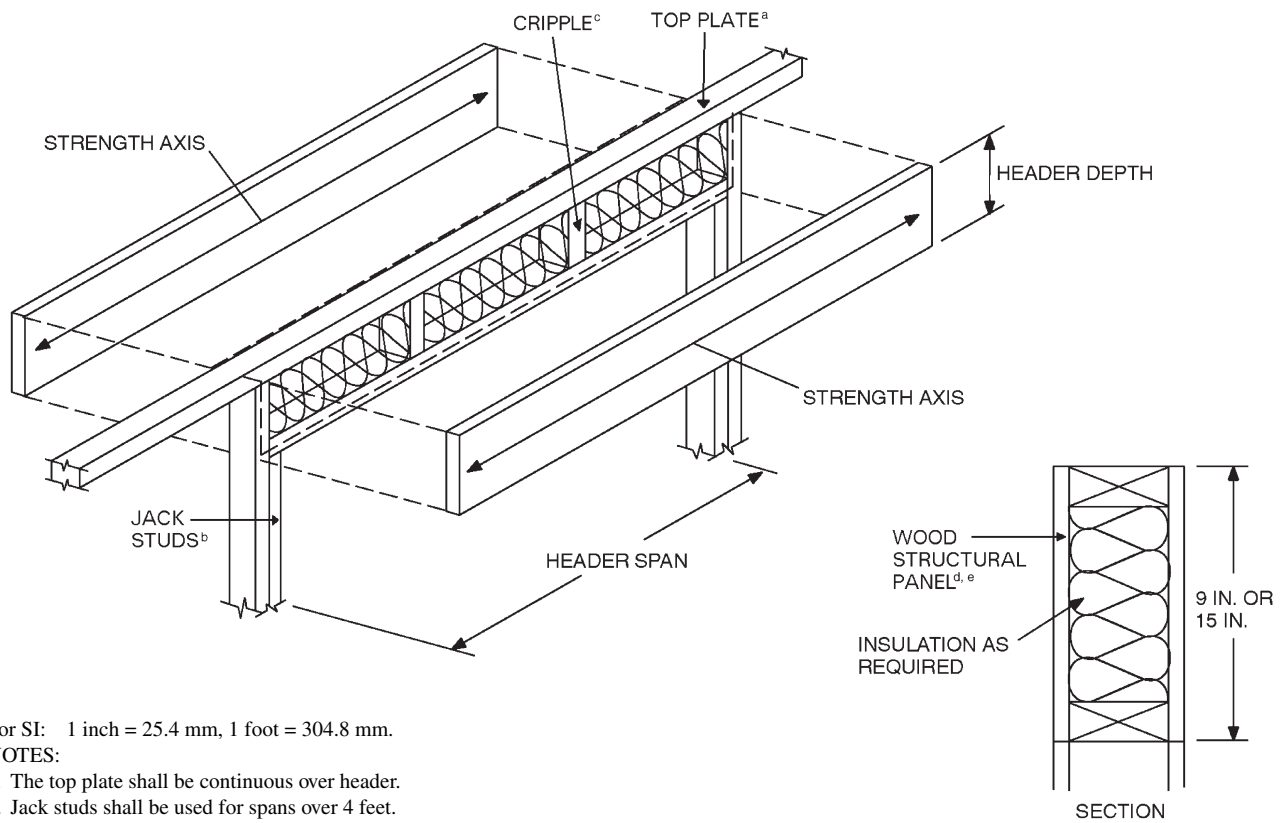
**TABLE R602.7.2  
MAXIMUM SPANS FOR WOOD STRUCTURAL PANEL BOX HEADERS<sup>a</sup>**

HEADER CONSTRUCTION <sup>b</sup>	HEADER DEPTH (inches)	HOUSE DEPTH (feet)				
		24	26	28	30	32
Wood structural panel—one side	9	4	4	3	3	—
	15	5	5	4	3	3
Wood structural panel—both sides	9	7	5	5	4	3
	15	8	8	7	7	6

For SI: 1 inch = 25.4 mm, 1 foot = 304.8 mm.

a. Spans are based on single story with clear-span trussed roof or two-story with floor and roof supported by interior-bearing walls.

b. See Figure R602.7.2 for construction details.



For SI: 1 inch = 25.4 mm, 1 foot = 304.8 mm.

**NOTES:**

- a. The top plate shall be continuous over header.
- b. Jack studs shall be used for spans over 4 feet.
- c. Cripple spacing shall be the same as for studs.
- d. Wood structural panel faces shall be single pieces of  $1\frac{5}{32}$ -inch-thick Exposure 1 (exterior glue) or thicker, installed on the interior or exterior or both sides of the header.
- e. Wood structural panel faces shall be nailed to framing and cripples with 8d common or galvanized box nails spaced 3 inches on center, staggering alternate nails  $\frac{1}{2}$  inch. Galvanized nails shall be hot-dipped or tumbled.

**FIGURE R602.7.2  
TYPICAL WOOD STRUCTURAL PANEL BOX HEADER CONSTRUCTION**

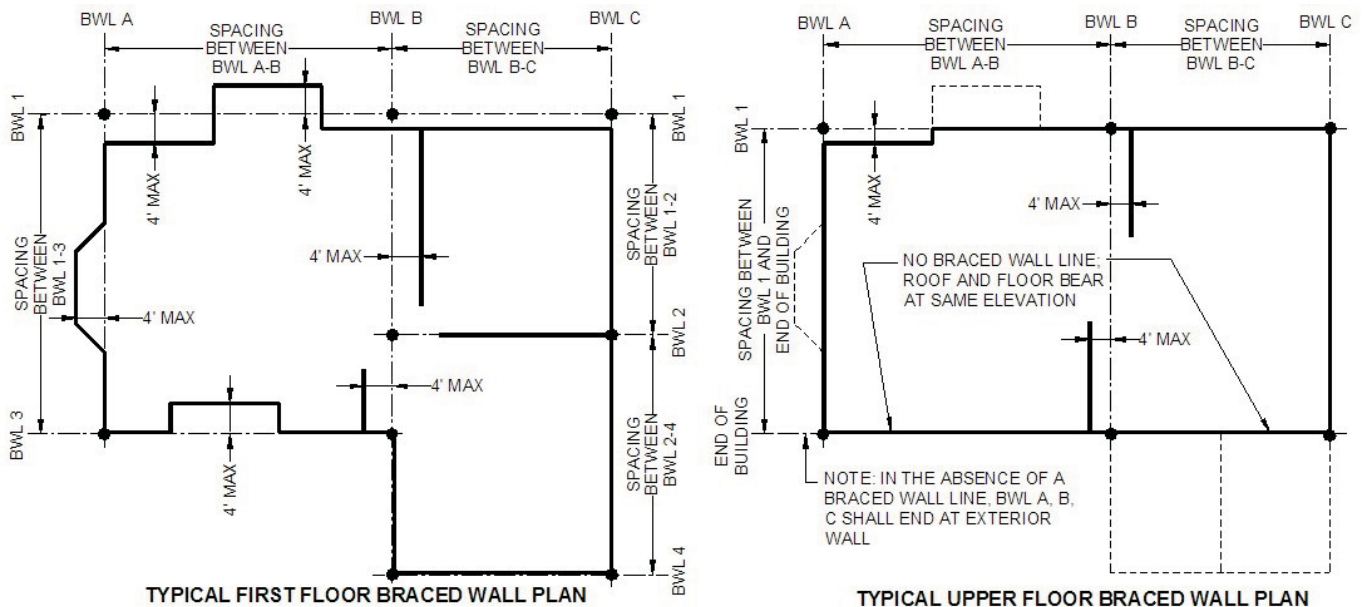
**R602.10.1 Braced wall lines.** For the purpose of determining the amount and location of bracing required in each story level of a building, braced wall lines shall be designated as straight lines in the building plan placed in accordance with this section.

**R602.10.1.1 Length of a braced wall line.** The length of a braced wall line shall be the distance between its ends. The end of a braced wall line shall be the intersection with a perpendicular braced wall line, an angled braced wall line as permitted in Section R602.10.1.4 or an exterior wall as shown in Figure R602.10.1.1.

**R602.10.1.2 Offsets along a braced wall line.** All exterior walls parallel to a braced wall line shall be permitted

to offset up to 4 feet (1219 mm) from the designated braced wall line location as shown Figure R602.10.1.1. Interior walls used as bracing shall be permitted to offset up to 4 feet (1219 mm) from a braced wall line through the interior of the building as shown in Figure R602.10.1.1.

**R602.10.1.3 Spacing of braced wall lines.** There shall be a minimum of two braced wall lines in both the longitudinal and transverse direction as shown in Figure R602.10.1.1. Intermediate braced wall lines through the interior of the building shall be permitted. The spacing between parallel braced wall lines shall be in accordance with Table R602.10.1.3.



For SI: 1 foot = 304.8 mm.

**FIGURE 602.10.1.1  
BRACED WALL LINES**

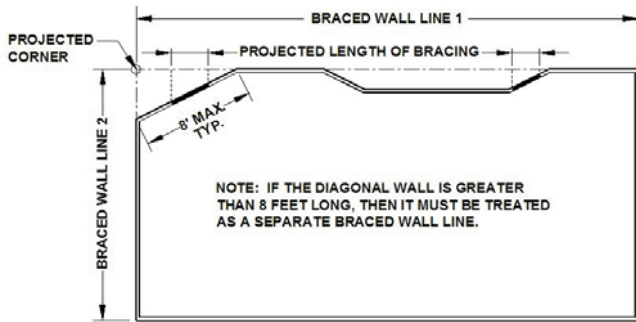
**TABLE 602.10.1.3  
BRACED WALL LINE SPACING**

APPLICATION	CONDITION	BUILDING TYPE	BRACED WALL LINE SPACING CRITERIA	
			Maximum Spacing	Exception to Maximum Spacing
Wind bracing	85 mph to <110 mph	Detached, townhouse	60 feet	None
Seismic bracing	SDC A - C	Detached	Use wind bracing	
	SDC A - B	Townhouse	Use wind bracing	
	SDC C	Townhouse	35 feet	Up to 50 feet when length of required bracing per Table R602.10.3(3) is adjusted in accordance with Table R602.10.3(4)

For SI: 1 foot = 304.8 mm.



**R602.10.1.4 Angled walls.** Any portion of a wall along a braced wall line shall be permitted to angle out of plane for a maximum diagonal length of 8 feet (2438 mm). Where the angled wall occurs at a corner, the length of the braced wall line shall be measured from the projected corner as shown in Figure R602.10.1.4. Where the diagonal length is greater than 8 feet (2438 mm), it shall be considered a separate braced wall line and shall be braced in accordance with Section R602.10.1.



For SI: 1 foot = 304.8 mm.

**FIGURE 602.10.1.4  
ANGLED WALLS**

**R602.10.2 Braced wall panels.** Braced wall panels shall be full-height sections of wall that shall have no vertical or horizontal offsets. Braced wall panels shall be constructed and

placed along a braced wall line in accordance with this section and the bracing methods specified in Section R602.10.4.

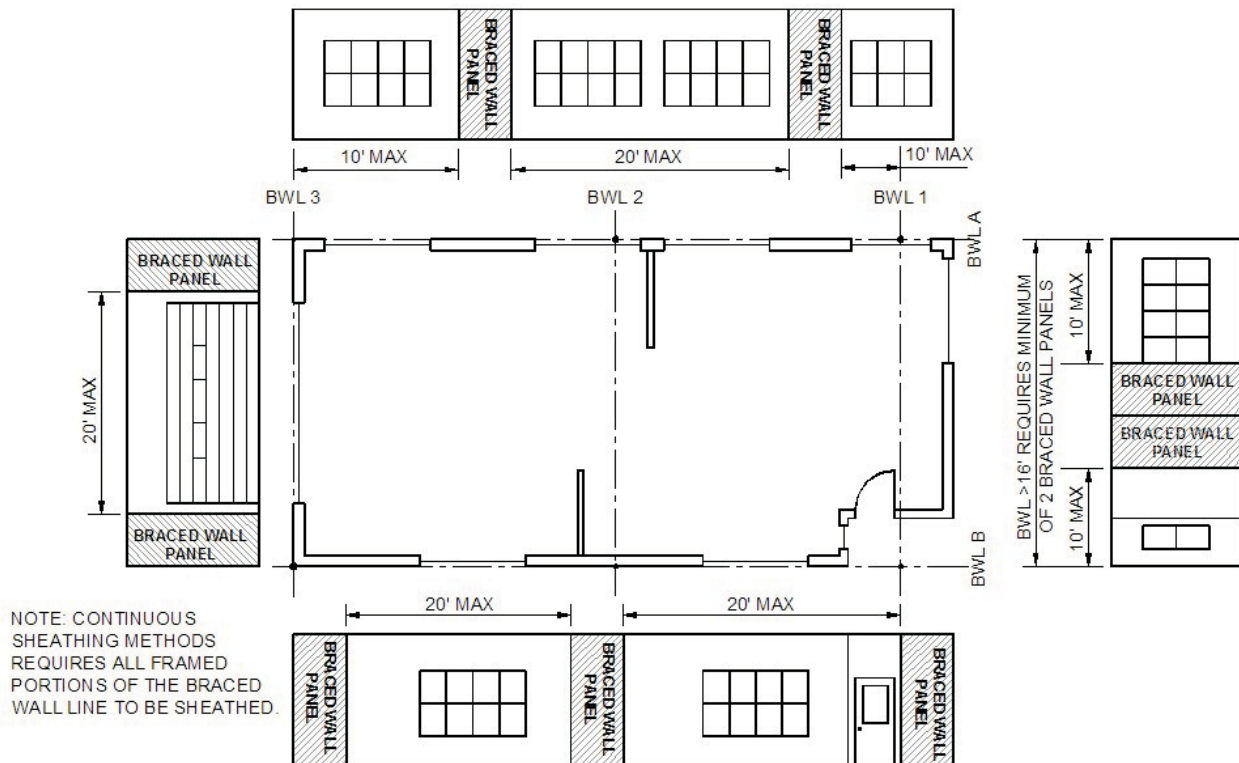
**R602.10.2.1 Braced wall panel uplift load path.** The bracing lengths in Table R602.10.3(1) apply only when uplift loads are resisted per Section R602.3.5.

**R602.10.2.2 Locations of braced wall panels.** A braced wall panel shall begin within 10 feet (3810 mm) from each end of a braced wall line as determined in accordance with Section R602.10.1.1. The distance between adjacent edges of braced wall panels along a braced wall line shall be no greater than 20 feet (6096 mm) as shown in Figure R602.10.2.2.

**R602.10.2.3 Minimum number of braced wall panels.** Braced wall lines with a length of 16 feet (4877 mm) or less shall have a minimum of two braced wall panels of any length or one braced wall panel equal to 48 inches (1219 mm) or more. Braced wall lines greater than 16 feet (4877 mm) shall have a minimum of two braced wall panels.

**R602.10.3 Required length of bracing.** The required length of bracing along each braced wall line shall be determined as follows.

1. All buildings in Seismic Design Categories A and B shall use Table R602.10.3(1) and the applicable adjustment factors in Table R602.10.3(2).
2. Detached buildings in Seismic Design Category C shall use Table R602.10.3(1) and the applicable adjustment factors in Table R602.10.3(2).



For SI: 1 foot = 304.8 mm.

**FIGURE 602.10.2.2  
LOCATION OF BRACED WALL PANELS**

3. Townhouses in Seismic Design Category C shall use the greater value determined from Table R602.10.3(1) or R602.10.3(3) and the applicable adjustment factors in Table R602.10.3(2) or R602.10.3(4), respectively.

Only braced wall panels parallel to the braced wall line within the 4-foot (1219 mm) offset permitted by Section R602.10.1.2 shall contribute towards the required length of bracing of that braced wall line. If a braced wall panel is

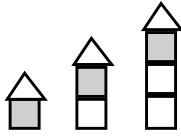
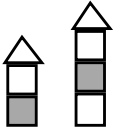
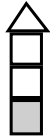
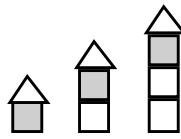
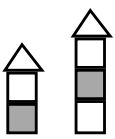
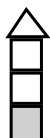
located along an angled wall and meets the minimum length requirements of Tables R602.10.5 or R602.10.5.2, it shall be permitted to contribute its projected length towards the minimum required length of bracing for the braced wall line as shown in Figure R602.10.1.4. If a braced wall panel is located along an angled wall at the end of a braced wall line, it shall contribute its projected length for only one of the braced wall lines at the projected corner.

**TABLE R602.10.3(1)  
BRACING REQUIREMENTS BASED ON WIND SPEED**

EXPOSURE CATEGORY B, 30 FT MEAN ROOF HEIGHT, 10 FT EAVE TO RIDGE HEIGHT, 10 FT WALL HEIGHT, 2 BRACED WALL LINES			MINIMUM TOTAL LENGTH (feet) OF BRACED WALL PANELS REQUIRED ALONG EACH BRACED WALL LINE <sup>a</sup>			
Basic Wind Speed (mph)	Story Location	Braced Wall Line Spacing (feet)	Method LIB <sup>b</sup>	Method GB	Methods DWB, WSP, SFB, PBS, PCP, HPS, CS-SFB <sup>c</sup>	Methods CS-WSP, CS-G, CS-PF
≤ 85		10	3.5	3.5	2.0	1.5
		20	6.0	6.0	3.5	3.0
		30	8.5	8.5	5.0	4.5
		40	11.5	11.5	6.5	5.5
		50	14.0	14.0	8.0	7.0
		60	16.5	16.5	9.5	8.0
		10	6.5	6.5	3.5	3.0
		20	11.5	11.5	6.5	5.5
		30	16.5	16.5	9.5	8.0
		40	21.5	21.5	12.5	10.5
		50	26.5	26.5	15.0	13.0
		60	31.5	31.5	18.0	15.5
		10	NP	9.0	5.5	4.5
		20	NP	17.0	10.0	8.5
		30	NP	24.5	14.0	12.0
		40	NP	32.0	18.0	15.5
		50	NP	39.0	22.5	19.0
		60	NP	46.5	26.5	22.5
≤ 90		10	3.5	3.5	2.0	2.0
		20	7.0	7.0	4.0	3.5
		30	9.5	9.5	5.5	5.0
		40	12.5	12.5	7.5	6.0
		50	15.5	15.5	9.0	7.5
		60	18.5	18.5	10.5	9.0
		10	7.0	7.0	4.0	3.5
		20	13.0	13.0	7.5	6.5
		30	18.5	18.5	10.5	9.0
		40	24.0	24.0	14.0	12.0
		50	29.5	29.5	17.0	14.5
		60	35.0	35.0	20.0	17.0
		10	NP	10.5	6.0	5.0
		20	NP	19.0	11.0	9.5
		30	NP	27.5	15.5	13.5
		40	NP	35.5	20.5	17.5
		50	NP	44.0	25.0	21.5
		60	NP	52.0	30.0	25.5

(continued)

**TABLE R602.10.3(1)—continued  
BRACING REQUIREMENTS BASED ON WIND SPEED**

EXPOSURE CATEGORY B, 30 FT MEAN ROOF HEIGHT, 10 FT EAVE TO RIDGE HEIGHT, 10 FT WALL HEIGHT, 2 BRACED WALL LINES			MINIMUM TOTAL LENGTH (feet) OF BRACED WALL PANELS REQUIRED ALONG EACH BRACED WALL LINE <sup>a</sup>			
Basic Wind Speed (mph)	Story Location	Braced Wall Line Spacing (feet)	Method LIB <sup>b</sup>	Method GB	Methods DWB, WSP, SFB, PBS, PCP, HPS, CS-SFB <sup>c</sup>	Methods CS-WSP, CS-G, CS-PF
≤ 100		10	4.5	4.5	2.5	2.5
		20	8.5	8.5	5.0	4.0
		30	12.0	12.0	7.0	6.0
		40	15.5	15.5	9.0	7.5
		50	19.0	19.0	11.0	9.5
		60	22.5	22.5	13.0	11.0
		10	8.5	8.5	5.0	4.5
		20	16.0	16.0	9.0	8.0
		30	23.0	23.0	13.0	11.0
		40	29.5	29.5	17.0	14.5
		50	36.5	36.5	21.0	18.0
		60	43.5	43.5	25.0	21.0
		10	NP	12.5	7.5	6.0
		20	NP	23.5	13.5	11.5
		30	NP	34.0	19.5	16.5
		40	NP	44.0	25.0	21.5
		50	NP	54.0	31.0	26.5
		60	NP	64.0	36.5	31.0
< 110 <sup>c</sup>		10	5.5	5.5	3.0	3.0
		20	10.0	10.0	6.0	5.0
		30	14.5	14.5	8.5	7.0
		40	18.5	18.5	11.0	9.0
		50	23.0	23.0	13.0	11.5
		60	27.5	27.5	15.5	13.5
		10	10.5	10.5	6.0	5.0
		20	19.0	19.0	11.0	9.5
		30	27.5	27.5	16.0	13.5
		40	36.0	36.0	20.5	17.5
		50	44.0	44.0	25.5	21.5
		60	52.5	52.5	30.0	25.5
		10	NP	15.5	9.0	7.5
		20	NP	28.5	16.5	14.0
		30	NP	41.0	23.5	20.0
		40	NP	53.0	30.5	26.0
		50	NP	65.5	37.5	32.0
		60	NP	77.5	44.5	37.5

For SI: 1 inch = 25.4 mm, 1 foot = 305 mm.

a. Linear interpolation shall be permitted.

b. Method LIB shall have gypsum board fastened to at least one side with nails or screws per Table R602.3(1) for exterior sheathing or Table R702.3.5 for interior gypsum board. Spacing of fasteners at panel edges shall not exceed 8 inches (203 mm).

c. Method CS-SFB does not apply where the wind speed is greater than 100 mph.

**TABLE R602.10.3(2)**  
**WIND ADJUSTMENT FACTORS TO THE REQUIRED LENGTH OF WALL BRACING**

ADJUSTMENT BASED ON:	STORY/ SUPPORTING	CONDITION	ADJUSTMENT FACTOR <sup>a,b</sup> [multiply length from Table R602.10.3(1) by this factor]	APPLICABLE METHODS
Exposure category	One story structure	B	1.00	All methods
		C	1.20	
		D	1.50	
	Two-story structure	B	1.00	
		C	1.30	
		D	1.60	
	Three-story structure	B	1.00	
		C	1.40	
		D	1.70	
Roof eave-to-ridge height	Roof only	≤ 5 ft	0.70	
		10 ft	1.00	
		15 ft	1.30	
		20 ft	1.60	
	Roof + 1 floor	≤ 5 ft	0.85	
		10 ft	1.00	
		15 ft	1.15	
		20 ft	1.30	
	Roof + 2 floors	≤ 5 ft	0.90	
		10 ft	1.00	
		15 ft	1.10	
		20 ft	Not permitted	
Wall height adjustment	Any story	8 ft	0.90	
		9 ft	0.95	
		10 ft	1.00	
		11 ft	1.05	
		12 ft	1.10	
Number of braced wall lines (per plan direction) <sup>c</sup>	Any story	2	1.00	
		3	1.30	
		4	1.45	
		≥ 5	1.60	
Additional 800 lb hold-down device	Top story only	Fastened to the end studs of each braced wall panel and to the foundation or framing below	0.80	DWB, WSP, SFB, PBS, PCP, HPS
Interior gypsum board finish (or equivalent)	Any story	Omitted from inside face of braced wall panels	1.40	DWB, WSP, SFB,PBS, PCP, HPS, CS-WSP, CS-G, CS-SFB
Gypsum board fastening	Any story	4 in. o.c. at panel edges, including top and bottom plates, and all horizontal joints blocked	0.7	GB

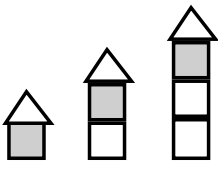
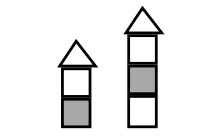
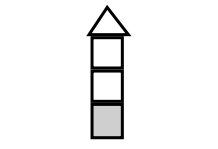
For SI: 1 foot = 305 mm, 1 pound force = 4.48 N.

a. Linear Interpolation shall be permitted.

b. The total adjustment factor is the product of all applicable adjustment factors.

c. The adjustment factor is permitted to be 1.0 when determining bracing amounts of intermediate braced wall lines provided the bracing amounts on adjacent braced wall lines are based on a spacing and number that neglects the intermediate braced wall line.

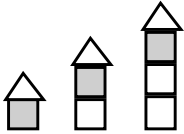
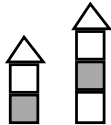

**TABLE R602.10.3(3)  
BRACING REQUIREMENTS BASED ON SEISMIC DESIGN CATEGORY**

SOIL CLASS D <sup>a</sup> WALL HEIGHT = 10 FT 10 PSF FLOOR DEAD LOAD 15 PSF ROOF/CEILING DEAD LOAD BRACED WALL LINE SPACING ≤ 25 FT			MINIMUM TOTAL LENGTH (feet) OF BRACED WALL PANELS REQUIRED ALONG EACH BRACED WALL LINE <sup>b</sup>				
Seismic Design Category (SDC)	Story Location	Braced Wall Line Length (ft)	Method LIB <sup>c</sup>	Method GB	Methods DWB, SFB, PBS, PCP, HPS, CS-SFB	Method WSP	Methods CS-WSP, CS-G
C (townhouses only)		10	2.5	2.5	2.5	1.6	1.4
		20	5.0	5.0	5.0	3.2	2.7
		30	7.5	7.5	7.5	4.8	4.1
		40	10.0	10.0	10.0	6.4	5.4
		50	12.5	12.5	12.5	8.0	6.8
		10	NP	4.5	4.5	3.0	2.6
		20	NP	9.0	9.0	6.0	5.1
		30	NP	13.5	13.5	9.0	7.7
		40	NP	18.0	18.0	12.0	10.2
		50	NP	22.5	22.5	15.0	12.8
		10	NP	6.0	6.0	4.5	3.8
		20	NP	12.0	12.0	9.0	7.7
		30	NP	18.0	18.0	13.5	11.5
		40	NP	24.0	24.0	18.0	15.3
		50	NP	30.0	30.0	22.5	19.1

For SI: 1 foot = 305 mm

- a. Linear interpolation shall be permitted.
- b. Wall bracing lengths are based on a soil site class "D." Interpolation of bracing length between the S<sub>ds</sub> values associated with the Seismic Design Categories shall be permitted when a site-specific S<sub>ds</sub> value is determined in accordance with Section 1613.5 of the International Building Code.
- c. Method LIB shall have gypsum board fastened to at least one side with nails or screws per Table R602.3(1) for exterior sheathing or Table R702.3.5 for interior gypsum board. Spacing of fasteners at panel edges shall not exceed 8 inches (203 mm).

**TABLE R602.10.3(4)**  
**SEISMIC ADJUSTMENT FACTORS TO THE REQUIRED LENGTH OF WALL BRACING**

ADJUSTMENT BASED ON:	STORY/SUPPORTING	CONDITION	ADJUSTMENT FACTOR <sup>a,b</sup> (multiply length from Table R602.10.3(3) by this factor)	APPLICABLE METHODS
Story height (Section 301.3)	Any story	≤ 10 ft	1.0	All methods
		> 10 ft ≤ 12 ft	1.2	
Braced wall line spacing	Any story	≤ 35 ft	1.0	
		> 35 ft ≤ 50 ft	1.43	
Wall dead load	Any story	> 8 psf < 15 psf	1.0	
		< 8 psf	0.85	
Roof/ceiling dead load for wall supporting	Any story	≤ 15 psf	1.0	
	Roof plus one or two stories	> 15 psf ≤ 25 psf	1.1	
	Roof only	> 15 psf ≤ 25 psf	1.2	
Walls with stone or masonry veneer			1.0	
			1.5	
			1.5	
Interior gypsum board finish (or equivalent)	Any story	Omitted from inside face of braced wall panels	1.5	DWB, WSP, SFB, PBS, PCP, HPS, CS-WSP, CS-G, CS-SFB

For SI: 1 psf = 47.8 N/m.

- a. Linear interpolation shall be permitted.
- b. The total length of bracing required for a given wall line is the product of all applicable adjustment factors.
- c. The length-to-width ratio for the floor/roof diaphragm shall not exceed 3:1. The top plate lap splice nailing shall be a minimum of 12-16d nails on each side of the splice.
- d. Applies to stone or masonry veneer exceeding the first story height.
- e. The adjustment factor for stone or masonry veneer shall be applied to all exterior braced wall lines and all braced wall lines on the interior of the building.

**R602.10.4 Bracing methods for braced wall panels.**

Braced wall panels shall be constructed in accordance with this section and the methods listed in Table R602.10.4.

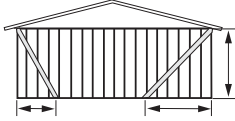

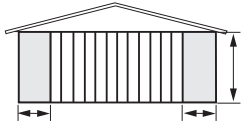

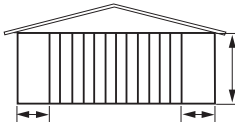
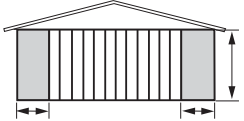
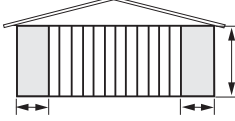

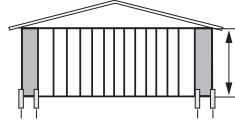
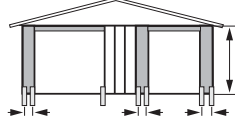
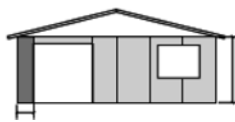
**R602.10.4.1 Mixing methods.** Mixing of bracing methods shall be permitted as follows:

1. Mixing intermittent bracing and continuous sheathing methods from story to story shall be permitted.
2. Mixing intermittent bracing methods from braced wall line to braced wall line within a story shall be permitted. In regions where the basic wind speed is less than or equal to 100 mph (44.7 m/s), mixing of intermittent bracing and continuous sheathing methods from braced wall line to braced wall line within a story shall be permitted.
3. Mixing intermittent bracing methods along a braced wall line shall be permitted in Seismic Design Categories A and B, and detached dwellings in Seismic Design Category C provided the length of required bracing in accordance with Table

R602.10.3(1) or R602.10.3(3) is the highest value of all intermittent bracing methods used.

4. Mixing of continuous sheathing methods CS-WSP, CS-G and CS-PF along a braced wall line shall be permitted.
5. In Seismic Design Categories A and B, and for detached one- and two-family dwellings in Seismic Design Category C, mixing of intermittent bracing methods along the interior portion of a braced wall line with continuous sheathing methods CS-WSP, CS-G and CS-PF along the exterior portion of the same braced wall line shall be permitted. The length of required bracing shall be the highest value of all intermittent bracing methods used in accordance with Table R602.10.3(1) or R602.10.3(3) as adjusted by Tables R602.10.3(2) and R602.10.3(4), respectively. The requirements of Section R602.10.7 shall apply to each end of the continuously sheathed portion of the braced wall line.

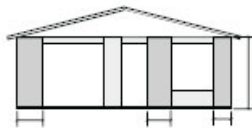
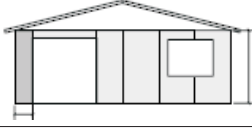
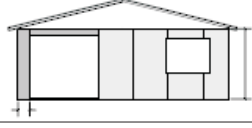
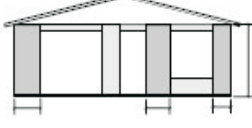
**TABLE R602.10.4  
BRACING METHODS**

METHODS, MATERIAL	MINIMUM THICKNESS	FIGURE	CONNECTION CRITERIAa		
			Fasteners	Spacing	
<b>Intermittent Bracing Methods</b>	<b>LIB</b> Let-in-bracing	1x4 wood or approved metal straps at 45° to 60° angles for maximum 16" stud spacing		Wood: 2-8d common nails or 3-8d (2 1/2" long x 0.113" dia.) nails Metal: per manufacturer	Wood: per stud and top and bottom plates Metal: per manufacturer
	<b>DWB</b> Diagonal wood boards	3/4" (1" nominal) for maximum 24" stud spacing		2-8d (2 1/2" long x 0.113" dia.) nails or 2 - 1 3/4" long staples	Per stud
	<b>WSP</b> Wood structural panel (See Section R604)	3/8"		Exterior sheathing per Table R602.3(3) Interior sheathing per Table R602.3(1) or R602.3(2)	6" edges 12" field Varies by fastener
	<b>SFB</b> Structural fiberboard sheathing	1/2" or 25/32" for maximum 16" stud spacing		1 1/2" long x 0.12" dia. (for 1/2" thick sheathing) 1 3/4" long x 0.12" dia. (for 25/32" thick sheathing) galvanized roofing nails or 8d common (2 1/2" long x 0.131" dia.) nails	3" edges 6" field
	<b>GB</b> Gypsum board	1/2"		Nails or screws per Table R602.3(1) for exterior locations Nails or screws per Table R702.3.5 for interior locations	For all braced wall panel locations: 7" edges (including top and bottom plates) 7" field
	<b>PBS</b> Particleboard sheathing (See Section R605)	3/8" or 1/2" for maximum 16" stud spacing		For 3/8", 6d common (2" long x 0.113" dia.) nails For 1/2", 8d common (2 1/2" long x 0.131" dia.) nails	3" edges 6" field
	<b>PCP</b> Portland cement plaster	See Section R703.6 for maximum 16" stud spacing		1 1/2" long, 11 gage, 7/16" dia. head nails or 7/8" long, 16 gage staples	6" o.c. on all framing members
	<b>HPS</b> Hardboard panel siding	7/16" for maximum 16" stud spacing		0.092" dia., 0.225" dia. head nails with length to accommodate 1 1/2" penetration into studs	4" edges 8" field
	<b>ABW</b> Alternate braced wall	3/8"		See Section R602.10.6.1	See Section R602.10.6.1
	<b>PFH</b> Portal frame with hold-downs	3/8"		See Section R602.10.6.2	See Section R602.10.6.2
	<b>PFG</b> Portal frame at garage	7/16"		See Section R602.10.6.3	See Section R602.10.6.3

continued



**TABLE R602.10.4  
BRACING METHODS**

METHODS, MATERIAL		MINIMUM THICKNESS	FIGURE	CONNECTION CRITERIA <sup>a</sup>	
				Fasteners	Spacing
Continuous Sheathing Methods	<b>CS-WSP</b> Continuously sheathed wood structural panel	$\frac{3}{8}$ "		Exterior sheathing per Table R602.3(3)	6" edges 12" field
	<b>CS-G<sup>b,c</sup></b> Continuously sheathed wood structural panel adjacent to garage openings	$\frac{3}{8}$ "		See Method CS-WSP	Varies by fastener
	<b>CS-PF</b> Continuously sheathed portal frame	$\frac{7}{16}$ "		See Section R602.10.6.4	See Section R602.10.6.4
	<b>CS-SFB<sup>d</sup></b> Continuously sheathed structural fiberboard	$\frac{1}{2}$ " or $\frac{25}{32}$ " for maximum 16" stud spacing		$1\frac{1}{2}$ " long x 0.12" dia. (for $\frac{1}{2}$ " thick sheathing) $1\frac{3}{4}$ " long x 0.12" dia. (for $\frac{25}{32}$ " thick sheathing) galvanized roofing nails or 8d common ( $2\frac{1}{2}$ " long x 0.131 dia.) nails	3" edges 6" field

For SI: 1 inch = 25.4 mm, 1 foot = 305 mm.

- a. Adhesive attachment of wall sheathing, including Method GB, shall not be permitted in townhouses in Seismic Design Category C.
- b. Applies to panels next to garage door opening when supporting gable end wall or roof load only. May only be used on one wall of the garage.
- c. Garage openings adjacent to a Method CS-G panel shall be provided with a header in accordance with Table R502.5(1). A full height clear opening shall not be permitted adjacent to a Method CS-G panel.
- d. Method CS-SFB does not apply in areas where the wind speed exceeds 100 mph.

**R602.10.4.2 Continuous sheathing methods.** Continuous sheathing methods require structural panel sheathing to be used on all sheathable surfaces on one side of a braced wall line including areas above and below openings and gable end walls and shall meet the requirements of Section R602.10.7.

**R602.10.4.3 Braced wall panel interior finish material.** Braced wall panels shall have gypsum wall board installed on the side of the wall opposite the bracing material. Gypsum wall board shall be not less than  $\frac{1}{2}$  inch (12.7 mm) in thickness and be fastened with nails or screws in accordance with Table R602.3(1) for exterior sheathing or Table R702.3.5 for interior gypsum wall board. Spacing of fasteners at panel edges for gypsum wall board opposite Method LIB bracing shall not exceed 8 inches (203 mm). Interior finish material shall not be glued in townhouses in Seismic Category C.

**Exceptions:**

- 1. Interior finish material is not required opposite wall panels that are braced in accordance with Method GB, ABW, PFH, PFG and CS-PF, unless otherwise required by Section R302.6.
- 2. An approved interior finish material with an in-plane shear resistance equivalent to gypsum

board shall be permitted to be substituted, unless otherwise required by Section R302.6.

- 3. Except for Method LIB, gypsum wall board is permitted to be omitted provided the required length of bracing in Tables R602.10.3(1) and R602.10.3(3) is multiplied by the appropriate adjustment factor in Tables R602.10.3(2) and R602.10.3(4), respectively, unless otherwise required by Section R302.6.

**R602.10.5 Minimum length of a braced wall panel.** The minimum length of a braced wall panel shall comply with Table R602.10.5. For Methods CS-WSP and CS-SFB, the minimum panel length shall be based on the vertical dimension of the adjacent opening in accordance with Table R602.10.5 and Figure R602.10.5. When a panel has openings on either side of differing heights, the larger vertical dimension shall be used to determine the minimum braced wall panel length.

**R602.10.5.1 Contributing length.** For purposes of complying with the required length of bracing in Tables R602.10.3(1) and R602.10.3(3), the contributing length of each braced wall panel to the total length of bracing shall be as specified in Table R602.10.5.

**TABLE R602.10.5  
MINIMUM LENGTH OF BRACED WALL PANELS**

METHOD (See Table R602.10.4)		MINIMUM LENGTH <sup>a</sup> (in)					CONTRIBUTING LENGTH (in)
		Wall Height					
		8 ft	9 ft	10 ft	11 ft	12 ft	
DWG, WSP, SFB, PBS, PCP, HPS		48	48	48	53	58	Actual <sup>b</sup>
GB		48	48	48	53	58	Double sided = Actual Single sided = 0.5 x Actual
LIB		55	62	69	NP	NP	Actual <sup>b</sup>
ABW		28	32	34	38	42	48
PFH	Supporting roof only	16	16	16	18 <sup>c</sup>	20 <sup>c</sup>	48
	Supporting one story and roof	24	24	24	27 <sup>c</sup>	29 <sup>c</sup>	48
PFG		24	27	30	33 <sup>c</sup>	36 <sup>c</sup>	1.5 x Actual <sup>b</sup>
CS-G		24	27	30	33	36	Actual <sup>b</sup>
CS-PF		16	18	20	22 <sup>c</sup>	24 <sup>c</sup>	Actual <sup>b</sup>
CS-WSP, CS-SFB	Adjacent opening vertical dimension (in)						
	≤ 64	24	27	30	33	36	Actual <sup>b</sup>
	68	26	27	30	33	36	
	72	27	27	30	33	36	
	76	30	29	30	33	36	
	80	32	30	30	33	36	
	84	35	32	32	33	36	
	88	38	35	33	33	36	
	92	43	37	35	35	36	
	96	48	41	38	36	36	
	100		44	40	38	38	
	104		49	43	40	39	
	108		54	46	43	41	
	112			50	45	43	
	116			55	48	45	
	120			60	52	48	
	124				56	51	
	128				61	54	
132				66	58		
136					62		
140					66		
144					72		

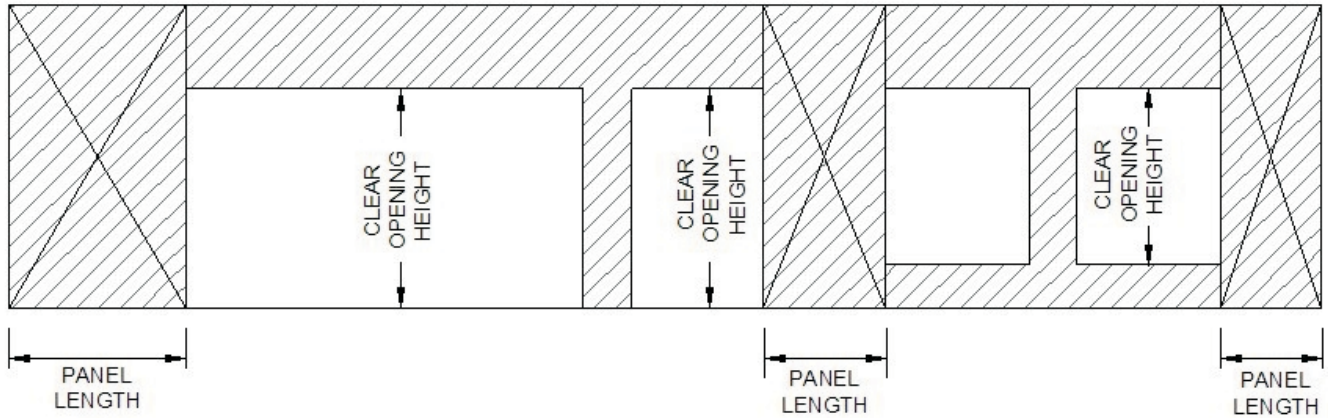
For SI: 1 inch = 25.4 mm, 1 foot = 304.8 mm.

NP = Not permitted

a. Linear interpolation shall be permitted.

b. Use the actual length provided it is greater than or equal to the minimum length.

c. Maximum header height is 10 feet; however, wall height may be increased to 12 feet with a pony wall per Table R602.10.6.4.



**FIGURE R602.10.5  
BRACED WALL PANELS WITH CONTINUOUS SHEATHING**

**R602.10.5.2 Partial credit.** For Methods DWB, WSP, SFB, PBS, PCP and HPS panels between 36 inches (914.4 mm) and 48 inches (1219.2 mm) in length shall be considered a braced wall panel and shall be permitted to partially contribute towards the required length of bracing in Table R602.10.3(1) and R602.10.3(3), and the contributing length shall be determined from Table R602.10.5.2.

**TABLE R602.10.5.2  
PARTIAL CREDIT FOR BRACED WALL PANELS  
LESS THAN 48 INCHES IN ACTUAL LENGTH**

ACTUAL LENGTH OF BRACED WALL PANEL (in)	CONTRIBUTING LENGTH OF BRACED WALL PANEL (in) <sup>a</sup>	
	8 ft Wall Height	9 ft Wall Height
48	48	48
42	36	36
36	27	N/A

For SI: 1 inch = 25.4mm, 1 foot = 304.8 mm.

a. Linear interpolation shall be permitted.

**R602.10.6 Construction of Methods ABW, PFH, PFG and CS-PF.** Methods ABW, PFH, PFG and CS-PF shall be constructed as specified in Sections R602.10.6.1 through R602.10.6.4.

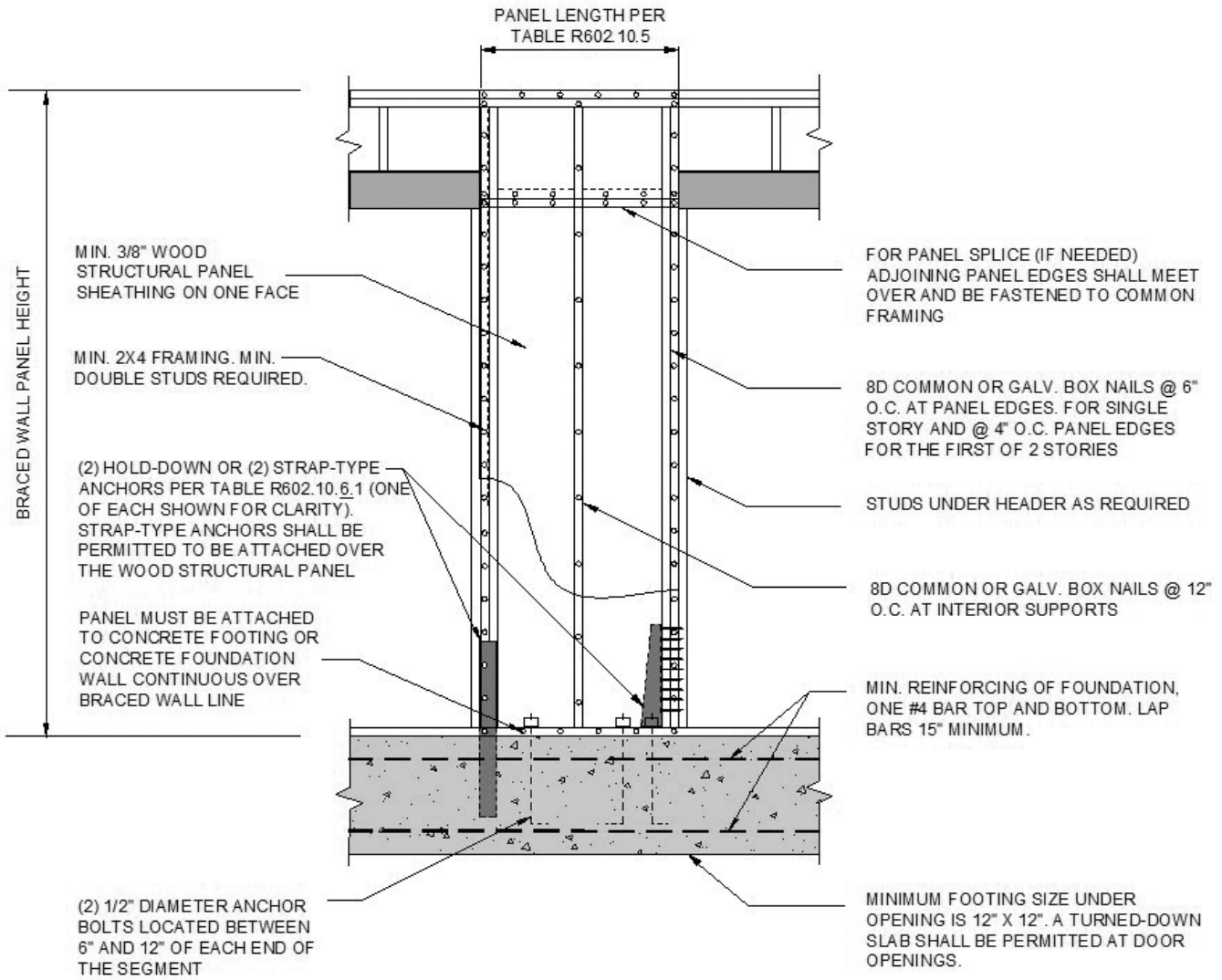
**R602.10.6.1 Method ABW: Alternate braced wall panels.** Method ABW braced wall panels shall be constructed in accordance with Figure R602.10.6.1.

**R602.10.6.2 Method PFH: Portal frame with hold-downs.** Method PFH braced wall panels shall be constructed in accordance with Figure R602.10.6.2.

**R602.10.6.3 Method PFG: Portal frame at garage door openings.** Where supporting a roof or one story and a roof, a Method PFG braced wall panel constructed in accordance with Figure R602.10.6.3 shall be permitted on either side of garage door openings.

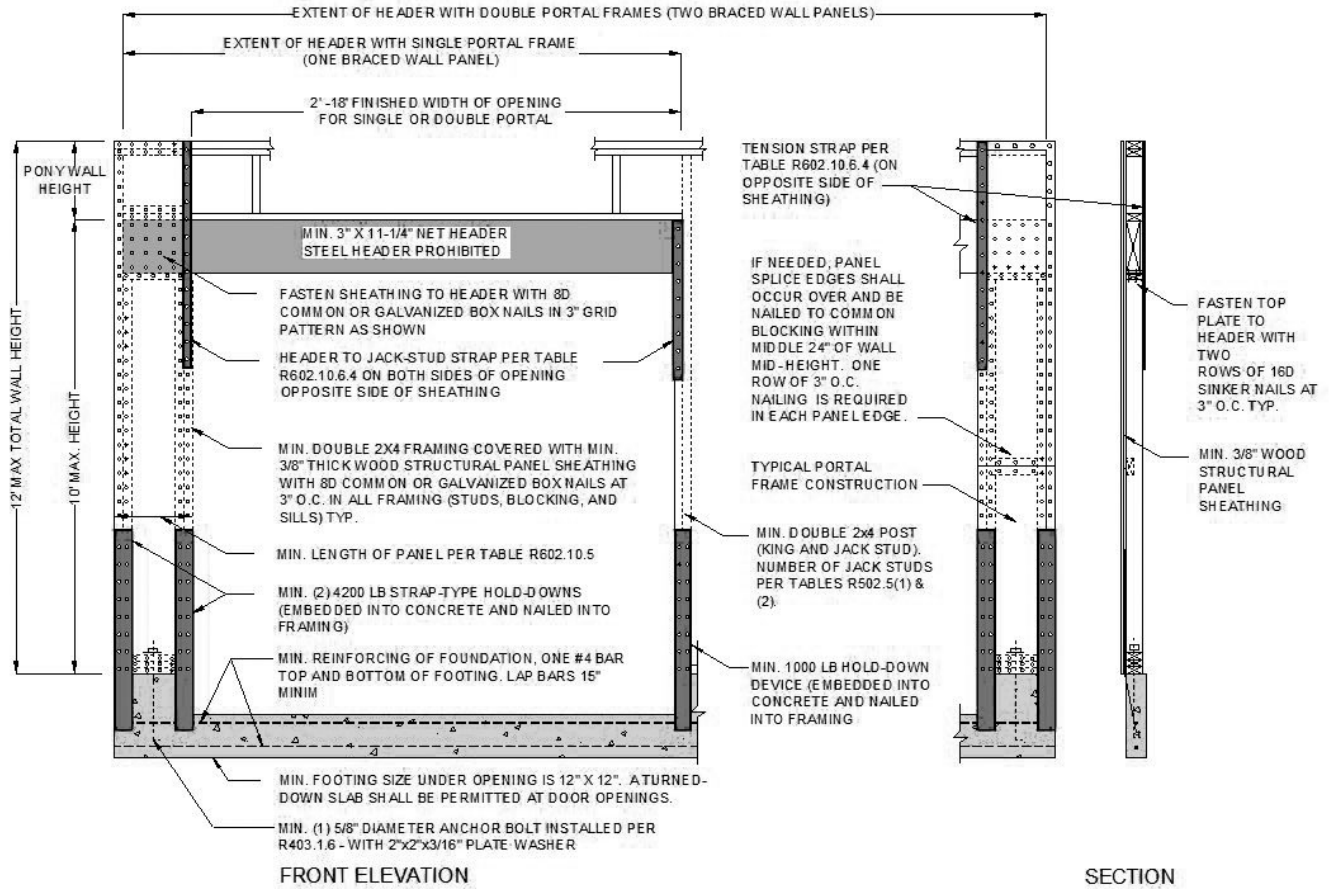
**R602.10.6.4 Method CS-PF: Continuously sheathed portal frame.** Continuously sheathed portal frame braced wall panels shall be constructed in accordance with Figure R602.10.6.4 and Table R602.10.6.4. The number of continuously sheathed portal frame panels in a single braced wall line shall not exceed four.

**WALL CONSTRUCTION**



For SI: 1 inch = 25.4 mm, 1 foot = 305 mm.

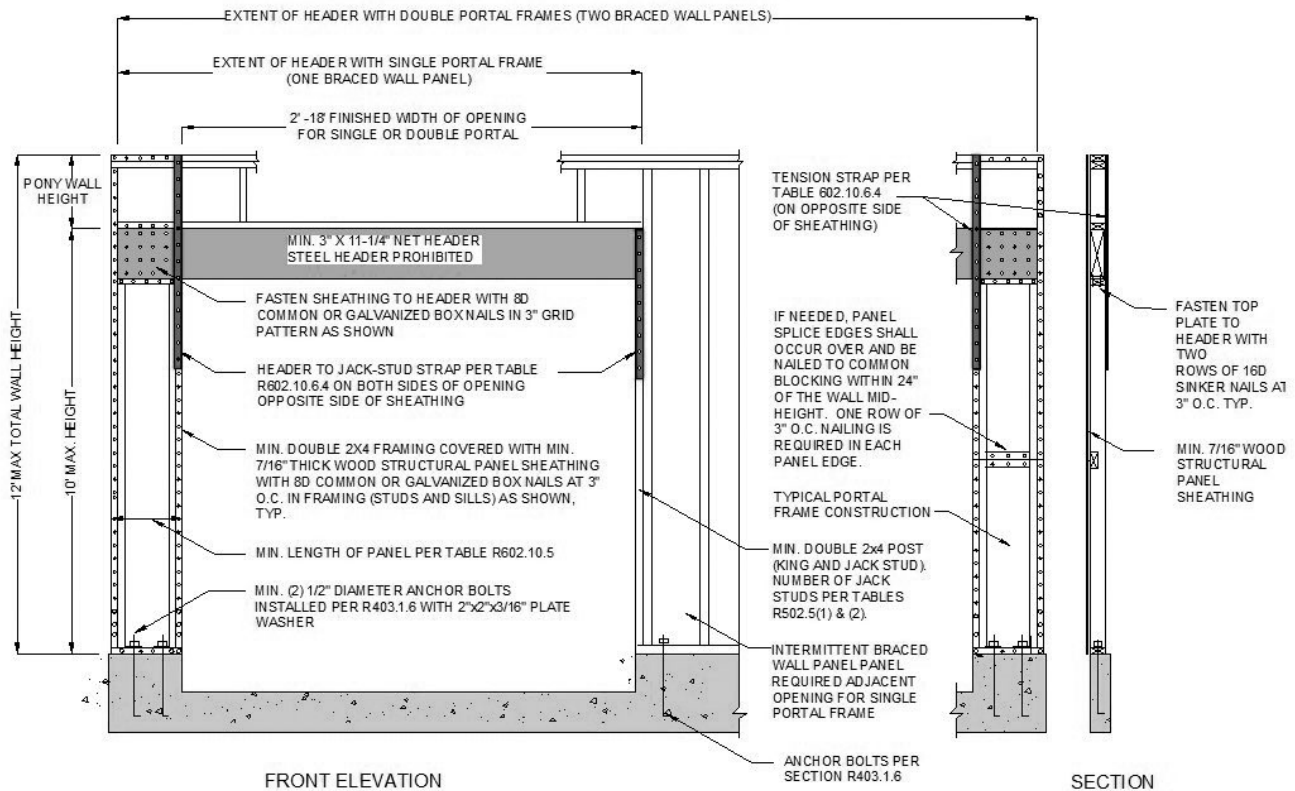
**FIGURE R602.10.6.1  
METHOD ABW: ALTERNATE BRACED WALL PANEL**



For SI: 1 inch = 25.4 mm, 1 foot = 305 mm.

**FIGURE R602.10.6.2**  
**METHOD PFH: PORTAL FRAME WITH HOLD-DOWNS**

**WALL CONSTRUCTION**



For SI: 1 inch = 25.4 mm, 1 foot = 305 mm.

**FIGURE R602.10.6.3**  
**METHOD PFG: PORTAL FRAME AT GARAGE DOOR OPENINGS IN SEISMIC DESIGN CATEGORIES A, B AND C**



**TABLE R602.10.6.4  
TENSION STRAP CAPACITY REQUIRED FOR RESISTING WIND PRESSURES  
PERPENDICULAR TO METHOD PFH, PFG AND CS-PF BRACED WALL PANELS**

MINIMUM WALL STUD FRAMING NOMINAL SIZE AND GRADE	MAXIMUM PONY WALL HEIGHT (ft)	MAXIMUM TOTAL WALL HEIGHT (ft)	MAXIMUM OPENING WIDTH (ft)	TENSION STRAP CAPACITY REQUIRED (lb) <sup>a</sup>					
				Basic Wind Speed (mph)					
				85	90	100	85	90	100
				Exposure B			Exposure C		
2x4 No. 2 Grade	0	10	18	1000	1000	1000	1000	1000	1000
	1	10	9	1000	1000	1000	1000	1000	1275
			16	1000	1000	1750	1800	2325	3500
			18	1000	1200	2100	2175	2725	DR
	2	10	9	1000	1000	1025	1075	1550	2500
			16	1525	2025	3125	3200	3900	DR
			18	1875	2400	3575	3700	DR	DR
	2	12	9	1000	1200	2075	2125	2750	4000
			16	2600	3200	DR	DR	DR	DR
			18	3175	3850	DR	DR	DR	DR
	4	12	9	1775	2350	3500	3550	DR	DR
			16	4175	DR	DR	DR	DR	DR
2x6 Stud Grade	2	12	9	1000	1000	1325	1375	1750	2550
			16	1650	2050	2925	3000	3550	DR
			18	2025	2450	3425	3500	4100	DR
	4	12	9	1125	1500	2225	2275	2775	3800
			16	2650	3150	DR	DR	DR	DR
			18	3125	3675	DR	DR	DR	DR

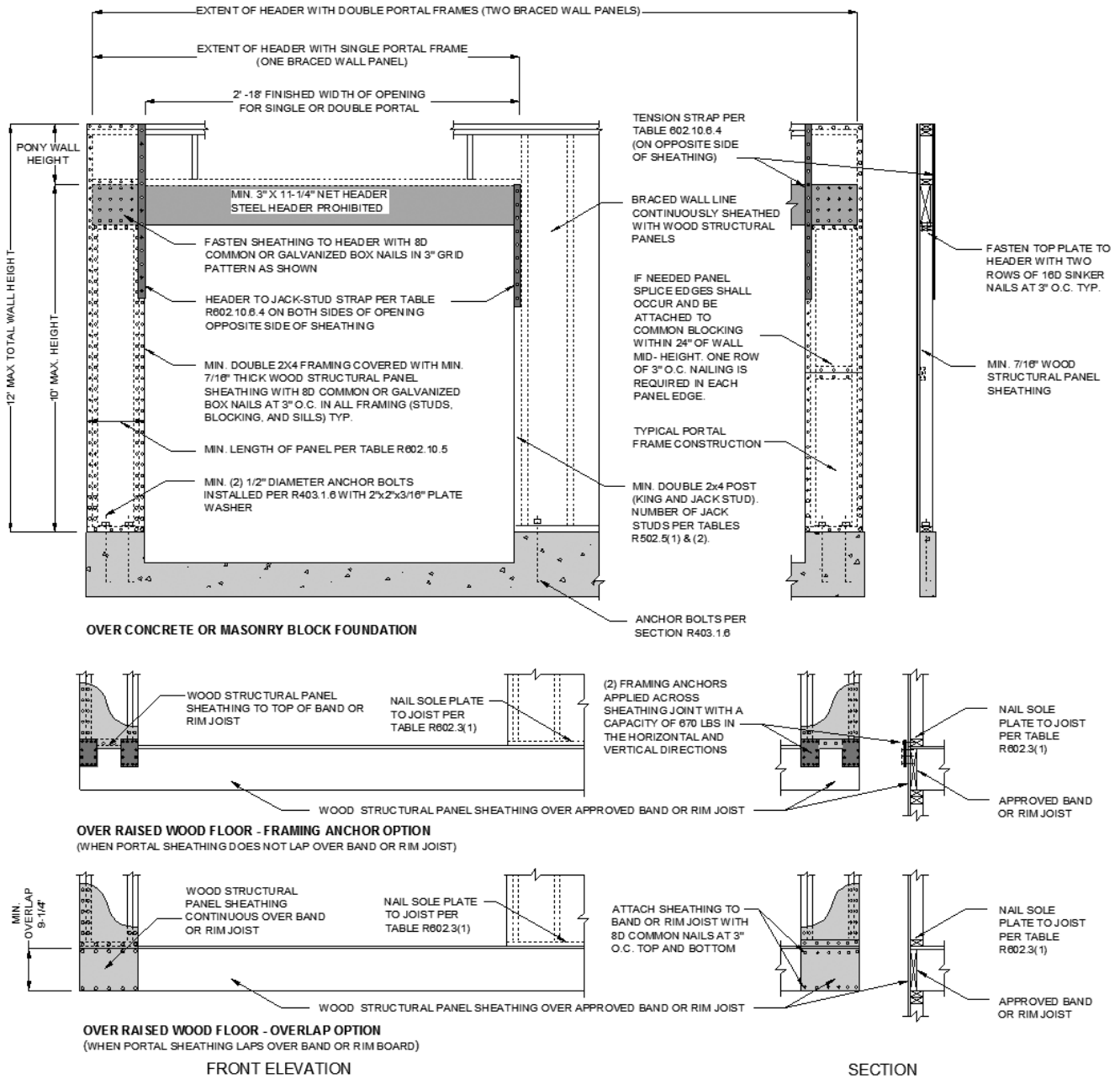
For SI: 1 inch = 25.4 mm, 1 foot = 305 mm, 1 pound force = 4.48 N.

DR = design required

a. Strap shall be installed in accordance with manufacturer's recommendations.



**WALL CONSTRUCTION**



For SI: 1 inch = 25.4 mm, 1 foot = 305 mm, 1 pound force = 4.48 N.

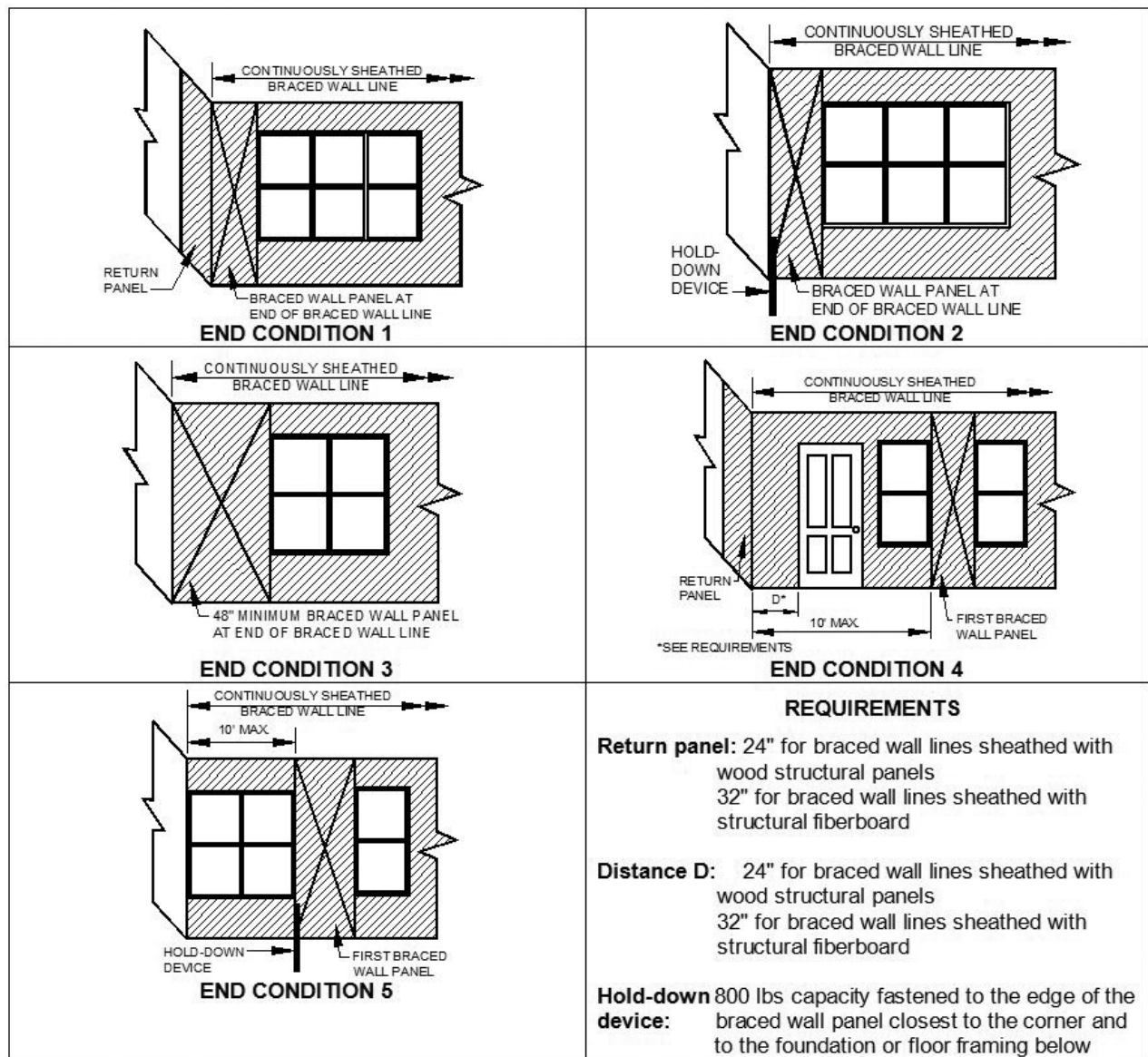
**FIGURE R602.10.6.4  
METHOD CS-PF: CONTINUOUSLY SHEATHED PORTAL FRAME PANEL CONSTRUCTION**

**R602.10.7 Ends of braced wall lines with continuous sheathing.** Each end of a braced wall line with continuous sheathing shall be in accordance with one of the end conditions shown in Figure R602.10.7.

**R602.10.8 Braced wall panel connections.** Braced wall panels shall be connected to floor framing or foundations as follows:

1. Where joists are perpendicular to a braced wall panel above or below, a rim joist, band joist or blocking shall be provided along the entire length of the braced wall panel in accordance with Figure R602.10.8(1). Fastening of top and bottom wall plates to framing, rim joist, band joist and/or blocking shall be in accordance with Table R602.3(1).

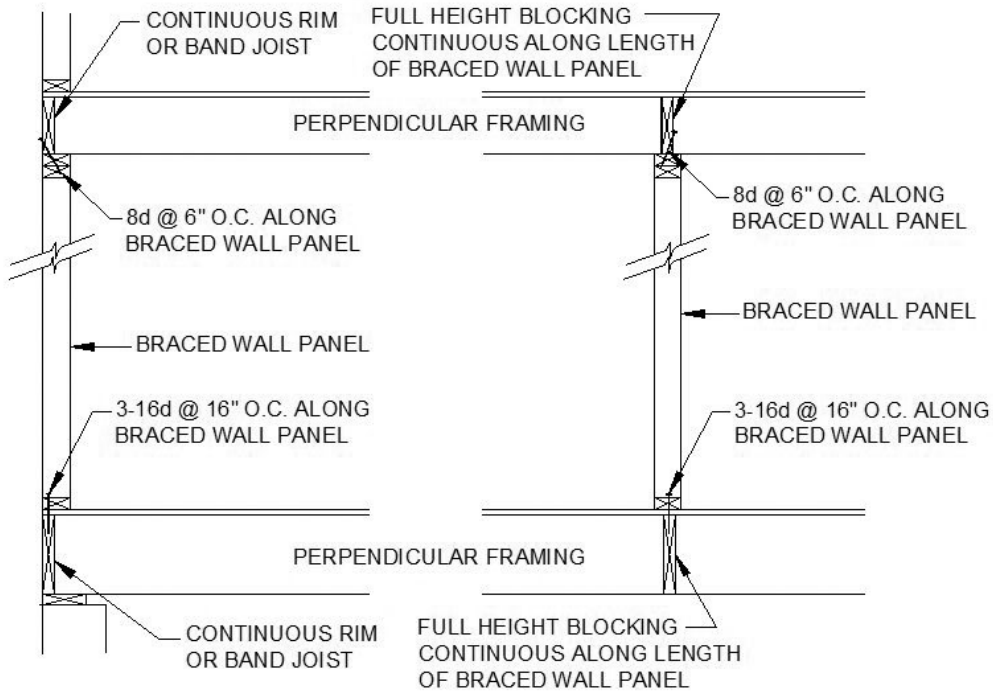
2. Where joists are parallel to a braced wall panel above or below, a rim joist, end joist or other parallel framing member shall be provided directly above and below the braced wall panel in accordance with Figure R602.10.8(2). Where a parallel framing member cannot be located directly above and below the panel, full-depth blocking at 16 inch (406 mm) spacing shall be provided between the parallel framing members to each side of the braced wall panel in accordance with Figure R602.10.8(2). Fastening of blocking and wall plates shall be in accordance with Table R602.3(1) and Figure R602.10.8(2).
3. Connections of braced wall panels to concrete or masonry shall be in accordance with Section R403.1.6.



For SI: 1 inch = 25.4 mm, 1 foot = 305 mm, 1 pound force = 4.48 N.

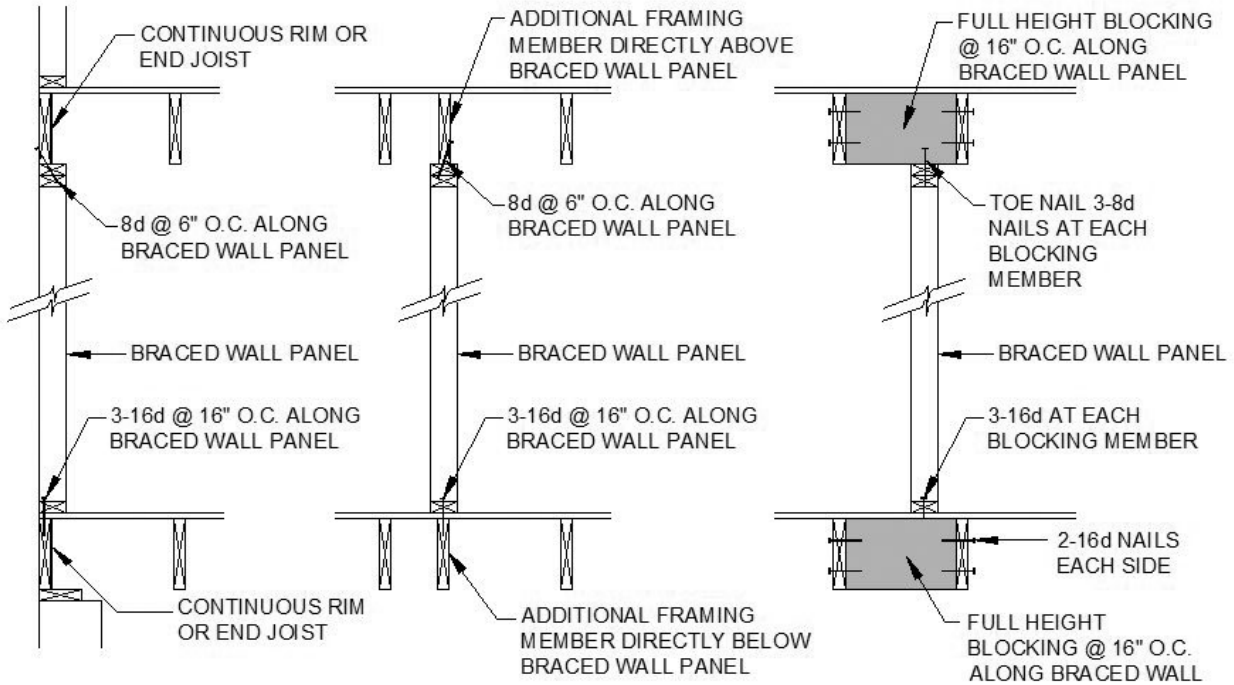
**FIGURE R602.10.7**  
**END CONDITIONS FOR BRACED WALL LINES WITH CONTINUOUS SHEATHING**

**WALL CONSTRUCTION**



For SI: 1 inch = 25.4 mm.,

**FIGURE R602.10.8(1)**  
**BRACED WALL PANEL CONNECTION WHEN PERPENDICULAR TO FLOOR/CEILING FRAMING**



For SI: 1 inch = 25.4 mm.,

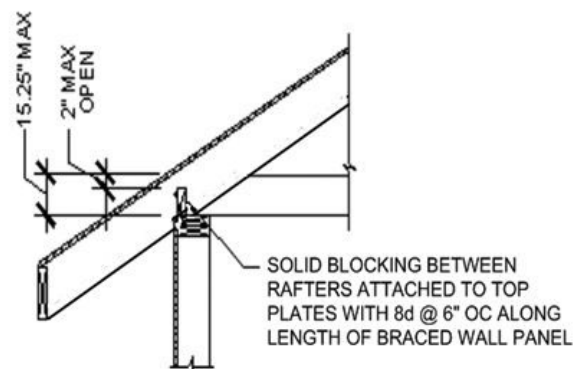
**FIGURE R602.10.8(2)**  
**BRACED WALL PANEL CONNECTION WHEN PARALLEL TO FLOOR/CEILING FRAMING**

**R602.10.8.1 Connections to roof framing.** Top plates of exterior braced wall panels shall be attached to rafters or roof trusses above in accordance with Table R602.3(1) and this section. Where required by this section, blocking between rafters or roof trusses shall be attached to top plates of braced wall panels and to rafters and roof trusses in accordance with Table R602.3(1). A continuous band, rim, or header joist or roof truss parallel to the braced wall panels shall be permitted to replace the blocking required by this section. Blocking shall not be required over openings in continuously sheathed braced wall lines. In addition to the requirements of this section, lateral support shall be provided for rafters and ceiling joists in accordance with Section R802.8 and for trusses in accordance with Section R802.10.3. Roof ventilation shall be provided in accordance with R806.1.

1. For wind speeds less than 100 mph (45 m/s):
  - 1.1. Where the distance from the top of the braced wall panel to the top of the rafters or roof trusses above is 9.25 inches (235 mm) or less, blocking between rafters or roof trusses shall not be required.
  - 1.2. Where the distance from the top of the braced wall panel to the top of the rafters or roof trusses above is between 9.25 inches (235 mm) and 15.25 inches (387 mm) blocking between rafters or roof trusses shall be provided above the braced wall panel in accordance with Figure R602.10.8.1(1).
2. For wind speeds of 100 mph (45 m/s) or greater, where the distance from the top of the braced wall panel to the top of the rafters or roof trusses is 15.25 inches (387 mm) or less, blocking between rafters or roof trusses shall be provided above the braced wall panel in accordance with Figure R602.10.8.1(1).

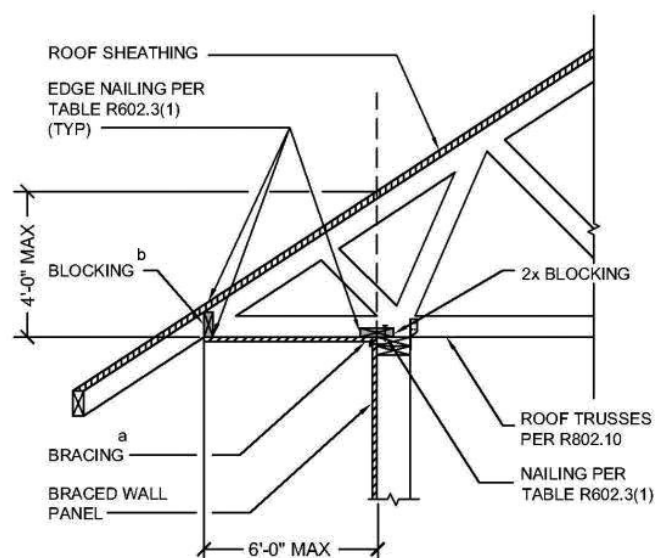
3. Where the distance from the top of the braced wall panel to the top of the rafters or roof trusses exceeds 15.25 inches (387 mm), the top plate of the braced wall panel shall be connected to perpendicular rafters or roof trusses above in accordance with one or more of the following methods:

- 3.1. Soffit blocking panels constructed per Figure R602.10.8.1(2).
- 3.2. Vertical blocking panels constructed per Figure R602.10.8.1(3).
- 3.3. Full-height engineered blocking panels designed per the AF&PA WFCM.
- 3.4. Blocking, blocking panels, or other methods of lateral load transfer designed in accordance with accepted engineering practice.



For SI: 1 inch = 25.4 mm.

**FIGURE R602.10.8.1(1)**  
**BRACED WALL PANEL CONNECTION**  
**TO PERPENDICULAR RAFTERS**



For SI: 1 inch = 25.4 mm.

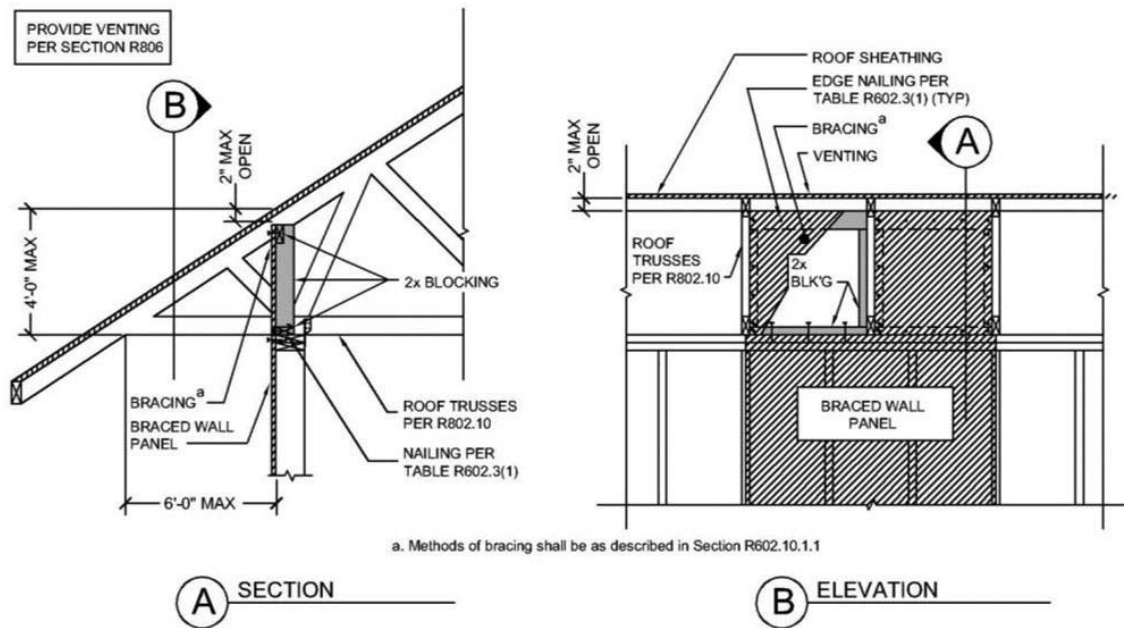
- a. Methods of bracing shall be as described in Section R602.10.4
- b. Provide ventilation (not shown) per Section R806.

**FIGURE R602.10.8.1(2)**  
**BRACED WALL PANEL CONNECTION OPTION TO**  
**PERPENDICULAR RAFTERS OR ROOF TRUSSES**

**R602.10.9 Braced wall panel support.** Braced wall panel support shall be provided as follows:

1. Cantilevered floor joists complying with Section R502.3.3 shall be permitted to support braced wall panels.
2. Elevated post or pier foundations supporting braced wall panels shall be designed in accordance with accepted engineering practice.
3. Masonry stem walls less than 48 inches (1220 mm) in length that support braced wall panels shall be reinforced in accordance with Figure R602.10.9.





a. Methods of bracing shall be as described in Section R602.10.1.1

**FIGURE R602.10.8.1(3)**  
**BRACED WALL PANEL CONNECTION OPTION TO PERPENDICULAR RAFTERS OR ROOF TRUSSES**

Masonry stem walls with a length greater than or equal to 48 inches (1220 mm) supporting braced wall panels shall be constructed in accordance with Section R403.1 Methods ABW and PFH shall not be permitted to attach to masonry stem walls.

- Concrete stem walls less than 48 inches (1220 mm) in length, greater than 12 inches (305 mm) tall and less than 6 inches (152 mm) thick shall have reinforcement sized and located in accordance with Figure R602.10.9.

**Exception:** As an alternative to the Optional Stem Wall Reinforcement in Figure R602.10.9, an approved post-installed adhesive anchoring system shall be permitted. A minimum of two anchors shall be installed as indicated in Figure R602.10.9. Anchors shall be located not more than 4 inches (102 mm) from each end of the stem wall. Anchors shall be installed into the concrete footing as follows:

- $\frac{5}{8}$  inch (16 mm) threaded rod –  $\frac{3}{4}$  inch (19 mm) diameter hole with a minimum embedment of 6 inches (152 mm).
- No. 4 reinforcing bar –  $\frac{5}{8}$  inch (16 mm) diameter hole with a minimum embedment of  $4\frac{1}{2}$  inches (114 mm).

A minimum footing thickness of 8 inches (203 mm) is required and the minimum distance from each anchor to the edge of the footing shall be  $3\frac{3}{4}$  (95 mm).

The anchoring adhesive and anchors shall be installed in accordance with the manufacturer’s instructions and have a minimum tensile capacity of 5,000 lbs (22 kN).

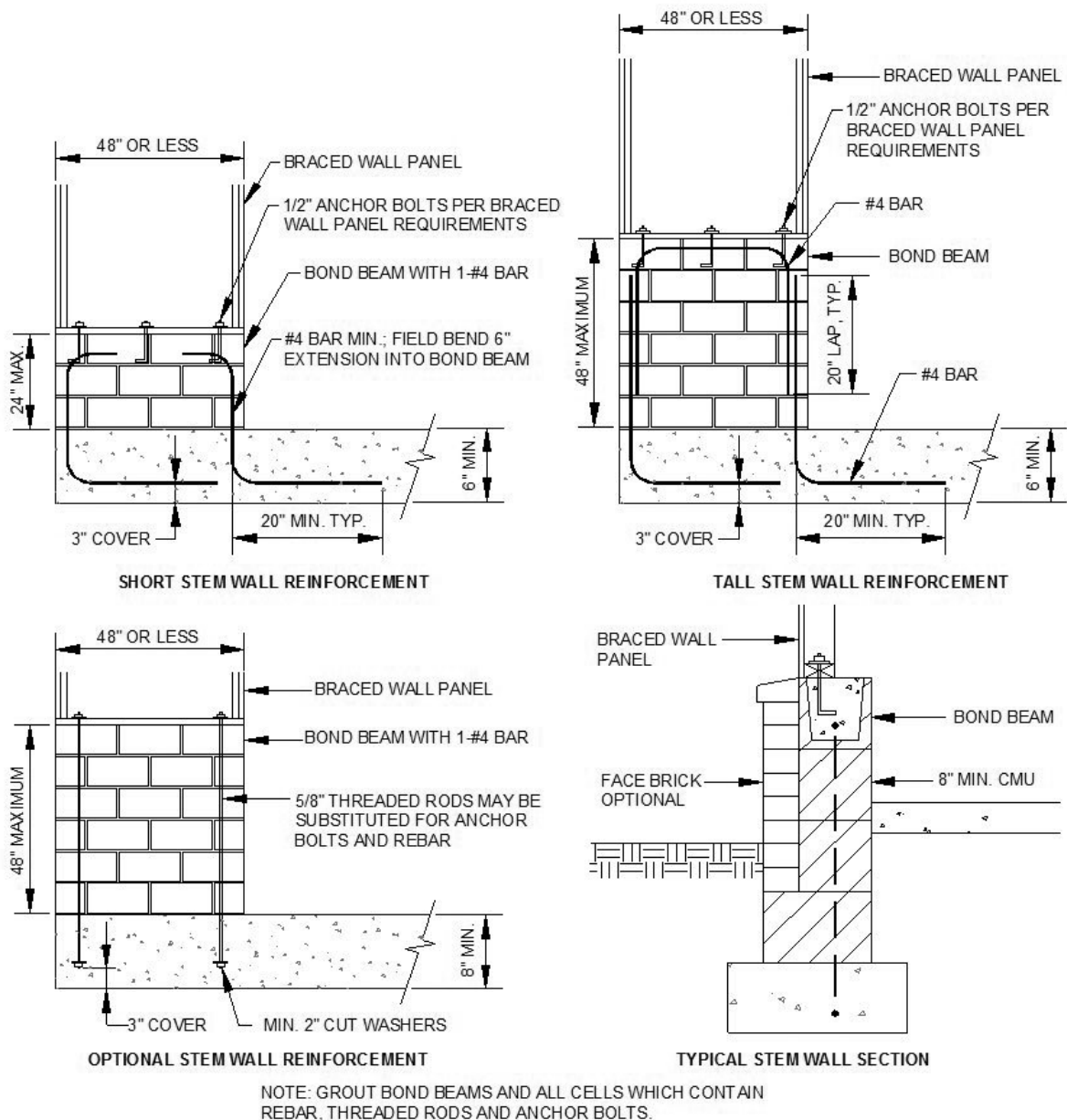
The reinforcement of the masonry stem wall and attachment of the braced wall panel to the stem wall shall be as shown in Figure R602.10.9.

**R602.10.10 Panel joints.** All vertical joints of panel sheathing shall occur over, and be fastened to common studs. Horizontal joints in braced wall panels shall occur over, and be fastened to common blocking of a minimum  $1\frac{1}{2}$  inch (38 mm) thickness.

**Exceptions:**

- Vertical joints of panel sheathing shall be permitted to occur over double studs, where adjoining panel edges are attached to separate studs with the required panel edge fastening schedule, and the adjacent studs are attached together with 2 rows of 10d box nails (3 inches long  $\times$  0.128 inches dia.) at 10 inches (254 mm) o.c.
- Blocking at horizontal joints shall not be required in wall segments that are not counted as braced wall panels.
- Where the length of bracing provided is at least twice the required length of bracing from Tables R602.10.3(1) and R602.10.3(3) blocking at horizontal joints shall not be required in braced wall panels constructed using Methods WSP, SFB, GB, PBS or HPS.
- When Method GB panels are installed horizontally, blocking of horizontal joints is not required.

**R602.10.11 Cripple wall bracing.** Cripple walls shall be constructed in accordance with Section R602.9 and braced in accordance with this section. Cripple walls shall be braced with the length and method of bracing used for the wall above in accordance with Tables R602.10.3(1) and R602.10.3(3), except that the length of cripple wall bracing shall be multiplied by a factor of 1.15.



For SI: 1 inch = 25.4 mm

**FIGURE R602.10.9**  
**MASONRY STEM WALLS SUPPORTING BRACED WALL PANELS**

**R602.10.11.1 Cripple wall bracing for townhouses in Seismic Design Category C.** In addition to the requirements in Section R602.10.11, the distance between adjacent edges of braced wall panels shall be 14 feet (4267 mm) maximum.

Where braced wall lines at interior walls are not supported on a continuous foundation below, the adjacent parallel cripple walls, where provided, shall be braced with Method WSP or CS-WSP per Section R602.10.4. The length of bracing required per Table R602.10.3(3) for the cripple walls shall be multiplied by 1.5. Where the cripple walls do not have sufficient length to provide the required bracing, the spacing of panel edge fasteners shall be reduced to 4 inches (102 mm) on center and the required bracing length adjusted by 0.7. If the required

length can still not be provided, the cripple wall shall be designed in accordance with accepted engineering practice.

**R602.10.11.2 Redesignation of cripple walls.** Where all cripple wall segments along a braced wall line do not exceed 48 inches (1220 mm) in height, the cripple wall shall be permitted to be redesignated as a first story wall for purposes of determining wall bracing requirements. Where any cripple wall segment in a braced wall line exceeds 48 inches (1220 mm) in height, the entire cripple wall shall be counted as an additional story. If the cripple walls are redesignated, the stories above the redesignated story shall be counted as the second and third stories respectively.

**R602.11 Wall anchorage.** *Braced wall line* sills shall be anchored to concrete or masonry foundations in accordance with Sections R403.1.6 and R602.11.1.

**R602.11.1 Wall anchorage for townhouses in Seismic Design Category C.** Plate washers, a minimum of 0.229 inch by 3 inches by 3 inches (5.8 mm by 76 mm by 76 mm) in size, shall be provided between the foundation sill plate and the nut, except where approved anchor straps are used. The hole in the plate washer is permitted to be diagonally slotted with a width of up to  $\frac{3}{16}$  inch (5 mm) larger than the bolt diameter and a slot length not to exceed  $1\frac{3}{4}$  inches (44 mm), provided a standard cut washer is placed between the plate washer and the nut.

**R602.11.2 Stepped foundations in Seismic Design Categories D<sub>0</sub>, D<sub>1</sub> and D<sub>2</sub>.** (Section deleted)

**R602.12 Simplified wall bracing.** Buildings meeting all of the conditions listed below shall be permitted to be braced in accordance with this section as an alternate to the requirements of Section R602.10. The entire building shall be braced in accordance with this section; the use of other bracing provisions of R602.10, except as specified herein, shall not be permitted.

1. There shall be no more than two stories above the top of a concrete or masonry foundation or basement wall. Permanent wood foundations shall not be permitted.
2. Floors shall not cantilever more than 24 inches (607 mm) beyond the foundation or bearing wall below.
3. Wall height shall not be greater than 10 feet (2743 mm).
4. The building shall have a roof eave-to-ridge height of 15 feet (4572 mm) or less.
5. All exterior walls shall have gypsum board with a minimum thickness of  $\frac{1}{2}$  inches (12.7 mm) installed on the

interior side fastened in accordance with Table R702.3.5.

6. The structure shall be located where the basic wind speed is less than or equal to 90 mph (40 m/s), and the Exposure Category is A or B.
7. The structure shall be located in Seismic Design Category of A, B or C for detached one- and two-family dwellings or Seismic Design Category A or B for townhouses.
8. Cripple walls shall not be permitted in two-story buildings.

**R602.12.1 Circumscribed rectangle.** Required bracing shall be determined by circumscribing a rectangle around the entire building on each floor as shown in Figure R602.12.1. The rectangle shall surround all enclosed offsets and projections such as sunrooms and attached garages. Open structures, such as carports and decks shall be permitted to be excluded. The rectangle shall have no side greater than 60 feet (18 288 mm), and the ratio between the long side and short side shall be a maximum of 3:1.

**R602.12.2 Sheathing materials.** The following sheathing materials installed on the exterior side of exterior walls shall be used to construct a bracing unit as defined in Section R602.12.3. Mixing materials is prohibited.

1. Wood structural panels with a minimum thickness of  $\frac{3}{8}$  inch (9.5 mm) fastened in accordance with Table R602.3(3).
2. Structural fiberboard sheathing with a minimum thickness of  $\frac{1}{2}$  inch (12.7 mm) fastened in accordance with Table R602.3(1).

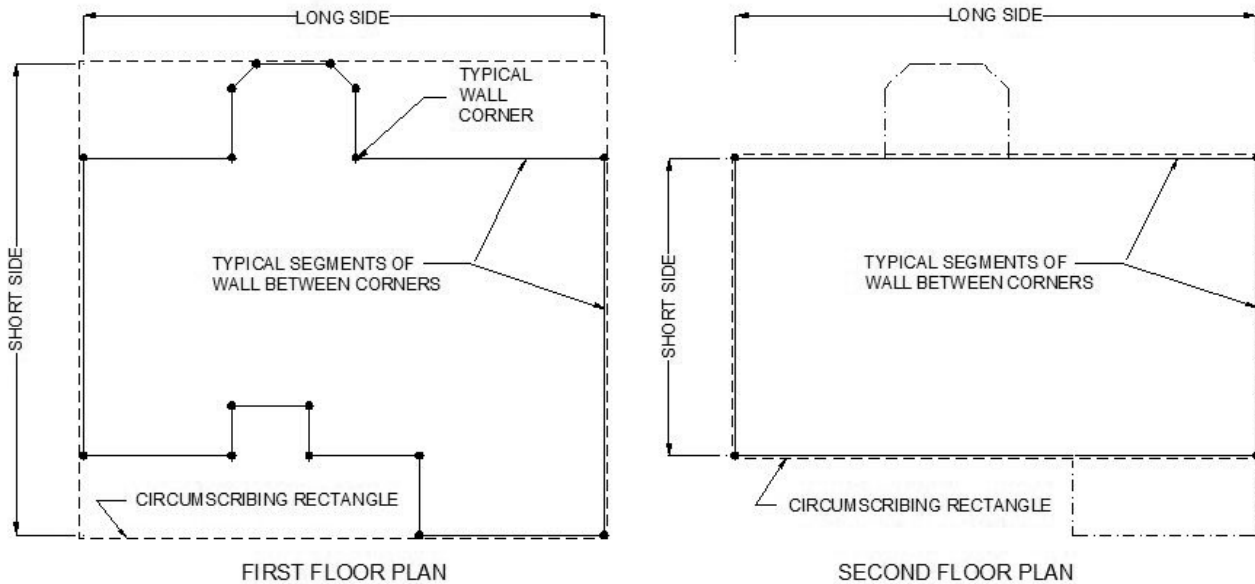


FIGURE R602.12.1  
RECTANGLE CIRCUMSCRIBING AN ENCLOSED BUILDING

**R602.12.3 Bracing unit.** A bracing unit shall be a full-height sheathed segment of the exterior wall with no openings or vertical or horizontal offsets and a minimum length as specified below. Interior walls shall not contribute toward the amount of required bracing. Mixing of Items 1 and 2 below is prohibited on the same story.

1. Where all framed portions of all exterior walls are sheathed in accordance with Section R602.12.2, including wall areas between bracing units, above and below openings and on gable end walls, the minimum length of a bracing unit shall be 3 feet (914 mm).
2. Where the exterior walls are braced with sheathing panels in accordance with Section R602.12.2 and areas between bracing units are covered with other materials, the minimum length of a bracing unit shall be 4 feet (1219 mm).

**R602.12.3.1 Multiple bracing units.** Segments of wall compliant with Section R602.12.3 and longer than the minimum bracing unit length shall be considered as multiple bracing units. The number of bracing units shall be determined by dividing the wall segment length by the minimum bracing unit length. Full-height sheathed segments of wall narrower than the minimum bracing unit length shall not contribute toward a bracing unit except as specified in Section R602.12.6.

**R602.12.4 Number of bracing units.** Each side of the circumscribed rectangle, as shown in Figure R602.12.1, shall have, at a minimum, the number of bracing units per Table R602.12.4 placed on the parallel exterior walls facing the side of the rectangle. Bracing units shall then be placed using the distribution requirements specified in Section R602.12.5.

**R602.12.5 Distribution of bracing units.** The placement of bracing units on exterior walls shall meet all of the following requirements as shown in Figure R602.12.5.

1. A bracing unit shall begin no more than 12 feet (3658 mm) from any wall corner.
2. The distance between adjacent edges of bracing units shall be no greater than 20 feet (6096 mm).
3. Segments of wall greater than 8 feet (2438 mm) in length shall have a minimum of one bracing unit.

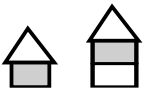
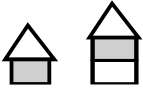
**R602.12.6 Narrow panels.** The bracing methods referenced in Section R602.10 and specified in Sections R602.12.6.1 through R602.12.6.3 shall be permitted when using simplified wall bracing.

**R602.12.6.1 Method CS-G.** Braced wall panels constructed as Method CS-G in accordance with Tables R602.10.4.1 and R602.10.5 shall be permitted for one-story garages when all framed portions of all exterior walls are sheathed with wood structural panels. Each CS-G panel shall be equivalent to 0.5 bracing units.

**R602.12.6.2 Method CS-PF.** Braced wall panels constructed as Method CS-PF in accordance with Section R602.10.6.4 shall be permitted when all framed portions of all exterior walls are sheathed with wood structural panels. Each CS-PF panel shall equal 0.5 bracing units. A maximum of four CS-PF panels shall be permitted on all the segments of walls parallel to each side of the circumscribed rectangle.

**R602.12.6.3 Methods PFH and PFG.** Braced wall panels constructed as Method PFH, in accordance with Section R602.10.6.2, and PFG, in accordance with Section R602.10.6.3, shall be permitted when bracing units are constructed using wood structural panels. Each PFH panel shall equal one bracing unit, and each PFG shall equal 0.75 bracing units.

**TABLE R602.12.4  
MINIMUM NUMBER OF BRACING UNITS ON EACH SIDE OF THE CIRCUMSCRIBED RECTANGLE**

STORY LEVEL	EAVE-TO RIDGE HEIGHT (feet)	MINIMUM NUMBER OF BRACING UNITS ON EACH LONG SIDE <sup>a, b</sup>						MINIMUM NUMBER OF BRACING UNITS ON EACH SHORT SIDE <sup>a, b</sup>					
		Length of short side (ft) <sup>c</sup>						Length of long side (ft) <sup>c</sup>					
		10	20	30	40	50	60	10	20	30	40	50	60
	10	1	2	2	2	3	3	1	2	2	2	3	3
		2	3	3	4	5	6	2	3	3	4	5	6
	15	1	2	3	3	4	4	1	2	3	3	4	4
		2	3	4	5	6	7	2	3	4	5	6	7

For SI: 1 foot = 304.8 mm.

a. Interpolation shall not be permitted.

b. Cripple walls or wood-framed basement walls in a walk-out condition of a one-story structure shall be designed as the first floor of a two-story house.

c. Actual lengths of the sides of the circumscribed rectangle shall be rounded to the next highest unit of 10 when using this table.



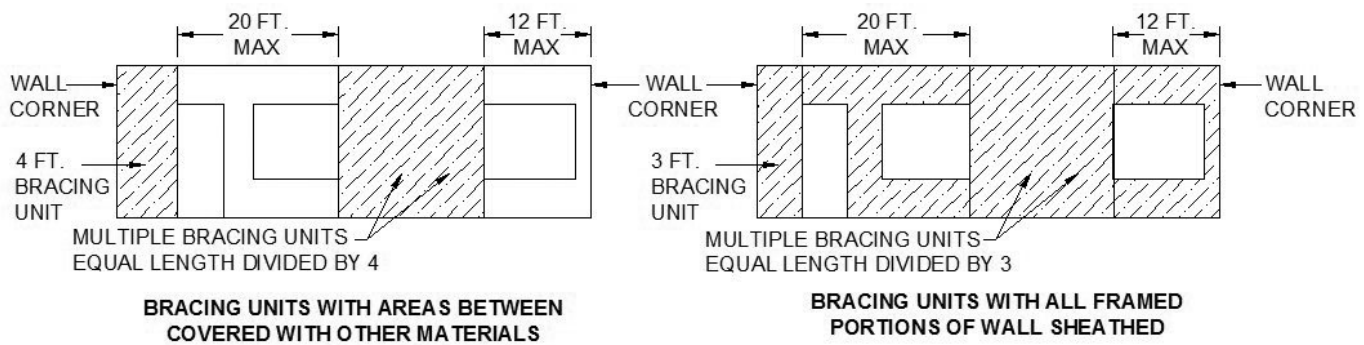


FIGURE R602.12.5  
BRACING UNIT DISTRIBUTION

**R602.12.7 Lateral support.** For bracing units located along the eaves, the vertical distance from the outside edge of the top wall plate to the roof sheathing above shall not exceed 9.25 inches (235 mm) at the location of a bracing unit unless lateral support is provided in accordance with Section R602.10.8.1.

**R602.12.8 Stem walls.** Masonry stem walls with a height and length of 48 inches (1219 mm) or less supporting a bracing unit or a Method CS-G, CS-PF or PFG braced wall panel shall be constructed in accordance with Figure R602.10.9. Concrete stem walls greater than 12 inches (305 mm) tall and less than 6 inches (152 mm) thick shall have reinforcement sized and located in accordance with Figure R602.10.9.

- Where the centerline of the horizontal framing member and bearing stiffener are located to one side of the centerline of the vertical framing member, the maximum tolerance shall be  $\frac{1}{8}$  inch (3 mm) between the web of the horizontal framing member and the edge of the vertical framing member.

**R603.2 Structural framing.** Load-bearing cold-formed steel wall framing members shall comply with Figure R603.2(1) and with the dimensional and minimum thickness requirements specified in Tables R603.2(1) and R603.2(2). Tracks shall comply with Figure R603.2(2) and shall have a minimum flange width of  $1\frac{1}{4}$  inches (32 mm). The maximum inside bend radius for members shall be the greater of  $\frac{3}{32}$  inch (2.4 mm) minus half the base steel thickness or 1.5 times the base steel thickness.

### SECTION R603 STEEL WALL FRAMING

**R603.1 General.** Elements shall be straight and free of any defects that would significantly affect structural performance. Cold-formed steel wall framing members shall comply with the requirements of this section.

**R603.1.1 Applicability limits.** The provisions of this section shall control the construction of exterior cold-formed steel wall framing and interior load-bearing cold-formed steel wall framing for buildings not more than 60 feet (18 288 mm) long perpendicular to the joist or truss span, not more than 40 feet (12 192 mm) wide parallel to the joist or truss span, and less than or equal to three stories above *grade plane*. All exterior walls installed in accordance with the provisions of this section shall be considered as load-bearing walls. Cold-formed steel walls constructed in accordance with the provisions of this section shall be limited to sites subjected to a maximum design wind speed of 110 miles per hour (49 m/s) Exposure B or C and a maximum ground snow load of 70 pounds per square foot (3.35 kPa).

**R603.1.2 In-line framing.** Load-bearing cold-formed steel studs constructed in accordance with Section R603 shall be located in-line with joists, trusses and rafters in accordance with Figure R603.1.2 and the tolerances specified as follows:

- The maximum tolerance shall be  $\frac{3}{4}$  inch (19 mm) between the centerline of the horizontal framing member and the centerline of the vertical framing member.

**R603.2.1 Material.** Load-bearing cold-formed steel framing members shall be cold-formed to shape from structural quality sheet steel complying with the requirements of one of the following:

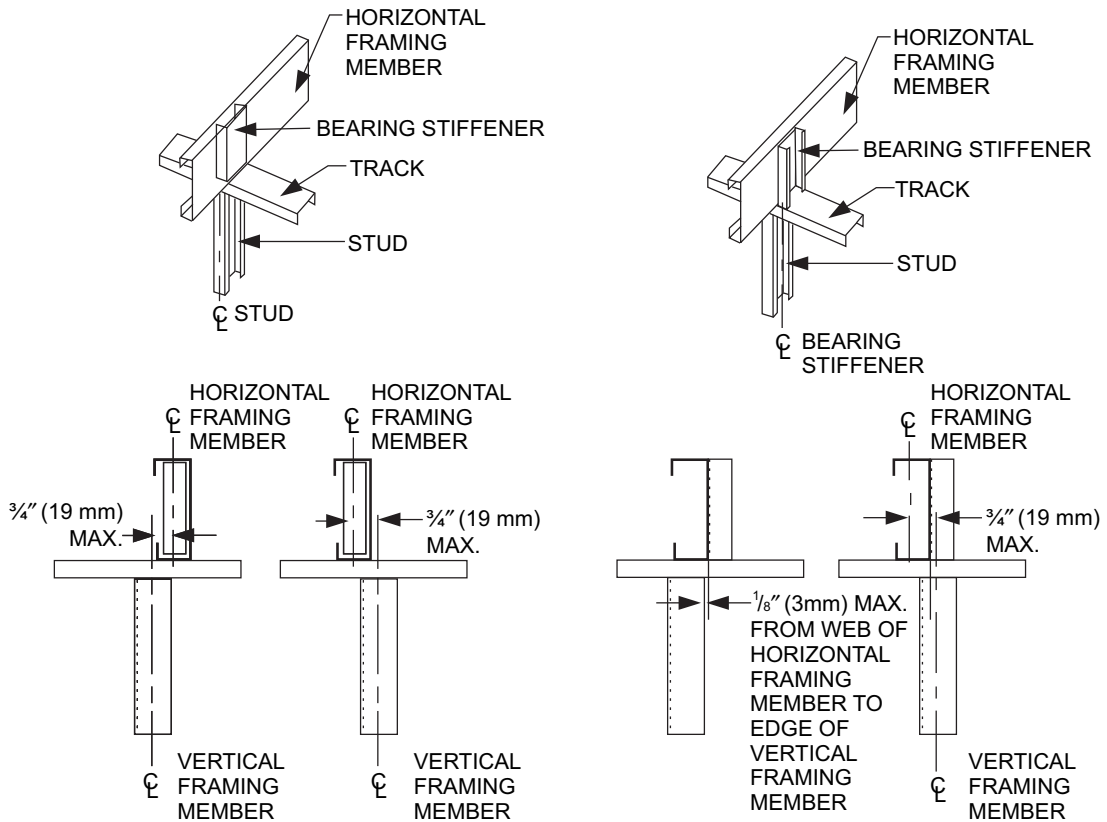
- ASTM A 653: Grades 33, and 50 (Class 1 and 3).
- ASTM A 792: Grades 33, and 50A.
- ASTM A 1003: Structural Grades 33 Type H, and 50 Type H.

**R603.2.2 Identification.** Load-bearing cold-formed steel framing members shall have a legible *label*, stencil, stamp or embossment with the following information as a minimum:

- Manufacturer's identification.
- Minimum base steel thickness in inches (mm).
- Minimum coating designation.
- Minimum yield strength, in kips per square inch (ksi) (MPa).

**R603.2.3 Corrosion protection.** Load-bearing cold-formed steel framing shall have a metallic coating complying with ASTM A 1003 and one of the following:

- A minimum of G 60 in accordance with ASTM A 653.
- A minimum of AZ 50 in accordance with ASTM A 792.



For SI: 1 inch = 25.4 mm,

**FIGURE R603.1.2  
IN-LINE FRAMING**

**TABLE R603.2(1)  
LOAD-BEARING COLD-FORMED STEEL STUD SIZES**

MEMBER DESIGNATION <sup>a</sup>	WEB DEPTH (inches)	MINIMUM FLANGE WIDTH (inches)	MAXIMUM FLANGE WIDTH (inches)	MINIMUM LIP SIZE (inches)
350S162-t	3.5	1.625	2	0.5
550S162-t	5.5	1.625	2	0.5

For SI: 1 inch = 25.4 mm; 1 mil = 0.0254 mm.

- a. The member designation is defined by the first number representing the member depth in hundredths of an inch “S” representing a stud or joist member, the second number representing the flange width in hundredths of an inch, and the letter “t” shall be a number representing the minimum base metal thickness in mils [See Table R603.2(2)].

**TABLE R603.2(2)  
MINIMUM THICKNESS OF COLD-FORMED STEEL MEMBERS**

DESIGNATION THICKNESS (mils)	MINIMUM BASE STEEL THICKNESS (inches)
33	0.0329
43	0.0428
54	0.0538
68	0.0677
97	0.0966

For SI: 1 mil = 0.0254 mm, 1 inch = 25.4 mm.

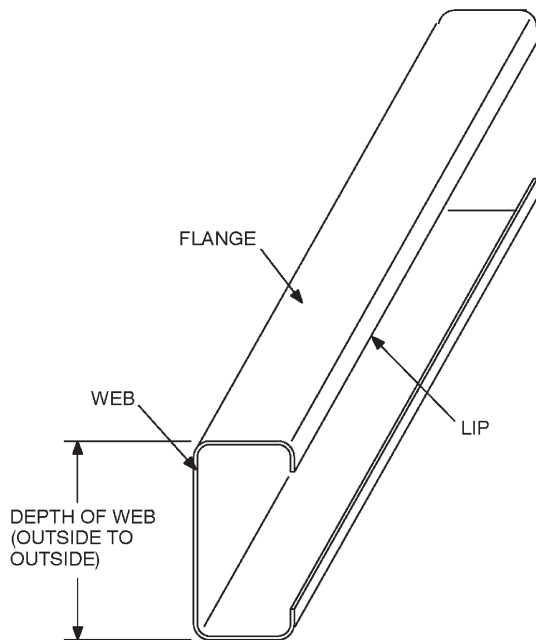


FIGURE R603.2(1)  
C-SHAPED SECTION

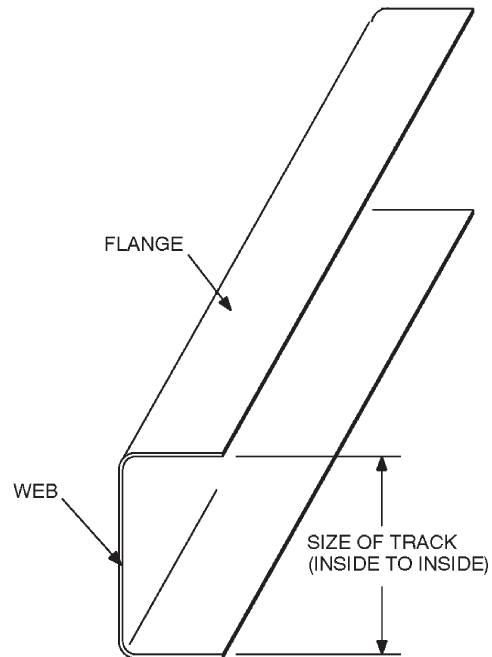


FIGURE R603.2(2)  
TRACK SECTION

**R603.2.4 Fastening requirements.** Screws for steel-to-steel connections shall be installed with a minimum edge distance and center-to-center spacing of  $\frac{1}{2}$  inch (12.7 mm), shall be self-drilling tapping and shall conform to ASTM C 1513. Structural sheathing shall be attached to cold-formed steel studs with minimum No. 8 self-drilling tapping screws that conform to ASTM C 1513. Screws for attaching structural sheathing to cold-formed steel wall framing shall have a minimum head diameter of 0.292 inch (7.4 mm) with countersunk heads and shall be installed with a minimum edge distance of  $\frac{3}{8}$  inch (9.5 mm). Gypsum board shall be attached to cold-formed steel wall framing with minimum No. 6 screws conforming to ASTM C 954 or ASTM C 1513 with a bugle head style and shall be installed in accordance with Section R702. For all connections, screws shall extend through the steel a minimum of three exposed threads. All fasteners shall have rust inhibitive coating suitable for the installation in which they are being used, or be manufactured from material not susceptible to corrosion.

Where No. 8 screws are specified in a steel-to-steel connection, the required number of screws in the connection is permitted to be reduced in accordance with the reduction factors in Table R603.2.4, when larger screws are used or when one of the sheets of steel being connected is thicker than 33 mils (0.84 mm). When applying the reduction factor, the resulting number of screws shall be rounded up.

**R603.2.5 Web holes, web hole reinforcing and web hole patching.** Web holes, web hole reinforcing and web hole patching shall be in accordance with this section.

TABLE R603.2.4  
SCREW SUBSTITUTION FACTOR

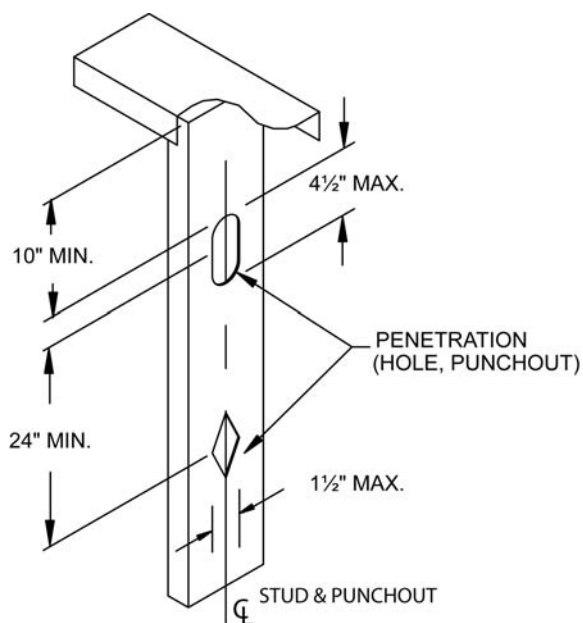
SCREW SIZE	THINNEST CONNECTED STEEL SHEET (mils)	
	33	43
#8	1.0	0.67
#10	0.93	0.62
#12	0.86	0.56

For SI: 1 mil = 0.0254 mm.

**R603.2.5.1 Web holes.** Web holes in wall studs and other structural members shall comply with all of the following conditions:

1. Holes shall conform to Figure R603.2.5.1;
2. Holes shall be permitted only along the centerline of the web of the framing member;
3. Holes shall have a center-to-center spacing of not less than 24 inches (610 mm);
4. Holes shall have a web hole width not greater than 0.5 times the member depth, or  $1\frac{1}{2}$  inches (38 mm);
5. Holes shall have a web hole length not exceeding  $4\frac{1}{2}$  inches (114 mm); and
6. Holes shall have a minimum distance between the edge of the bearing surface and the edge of the web hole of not less than 10 inches (254 mm).

Framing members with web holes not conforming to the above requirements shall be reinforced in accordance with Section R603.2.5.2, patched in accordance with Section R603.2.5.3 or designed in accordance with accepted engineering practice.



For SI: 1 inch = 25.4 mm.

**FIGURE R603.2.5.1**  
**WEB HOLES**

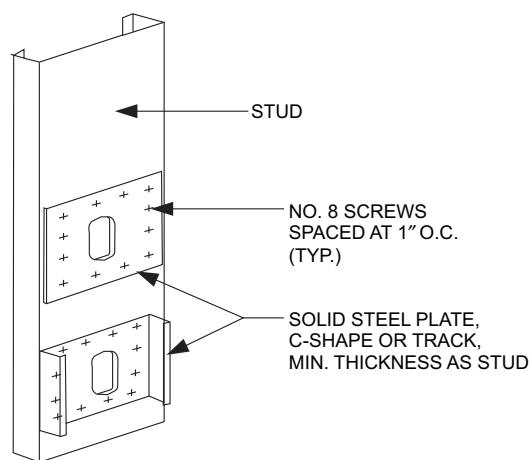
**R603.2.5.2 Web hole reinforcing.** Web holes in gable endwall studs not conforming to the requirements of Section R603.2.5.1 shall be permitted to be reinforced if the hole is located fully within the center 40 percent of the span and the depth and length of the hole does not exceed 65 percent of the flat width of the web. The reinforcing shall be a steel plate or C-shape section with a hole that does not exceed the web hole size limitations of Section R603.2.5.1 for the member being reinforced. The steel reinforcing shall be the same thickness as the receiving member and shall extend at least 1 inch (25.4 mm) beyond all edges of the hole. The steel reinforcing shall be fastened to the web of the receiving member with No.8 screws spaced no more than 1 inch (25.4 mm) center-to-center along the edges of the patch with minimum edge distance of  $1/2$  inch (12.7 mm).

**R603.2.5.3 Hole patching.** Web holes in wall studs and other structural members not conforming to the requirements in Section R603.2.5.1 shall be permitted to be patched in accordance with either of the following methods:

1. Framing members shall be replaced or designed in accordance with accepted engineering practice when web holes exceed the following size limits:
  - 1.1. The depth of the hole, measured across the web, exceeds 70 percent of the flat width of the web; or

- 1.2. The length of the hole measured along the web exceeds 10 inches (254 mm) or the depth of the web, whichever is greater.

2. Web holes not exceeding the dimensional requirements in Section R603.2.5.3, Item 1 shall be patched with a solid steel plate, stud section or track section in accordance with Figure R603.2.5.3. The steel patch shall, as a minimum, be the same thickness as the receiving member and shall extend at least 1 inch (25.4 mm) beyond all edges of the hole. The steel patch shall be fastened to the web of the receiving member with No. 8 screws spaced no



For SI: 1 inch = 25.4 mm.

**FIGURE R603.2.5.3**  
**STUD WEB HOLE PATCH**

more than 1 inch (25.4 mm) center-to-center along the edges of the patch with a minimum edge distance of  $1/2$  inch (12.7 mm).

**R603.3 Wall construction.** All exterior cold-formed steel framed walls and interior load-bearing cold-formed steel framed walls shall be constructed in accordance with the provisions of this section.

**R603.3.1 Wall to foundation or floor connection.** Cold-formed steel framed walls shall be anchored to foundations or floors in accordance with Table R603.3.1 and Figure R603.3.1(1), R603.3.1(2) or R603.3.1(3). Anchor bolts shall be located not more than 12 inches (305 mm) from corners or the termination of bottom tracks. Anchor bolts shall extend a minimum of 15 inches (381 mm) into masonry or 7 inches (178 mm) into concrete. Foundation anchor straps shall be permitted, in lieu of anchor bolts, if spaced as required to provide equivalent anchorage to the required anchor bolts and installed in accordance with manufacturer's requirements.

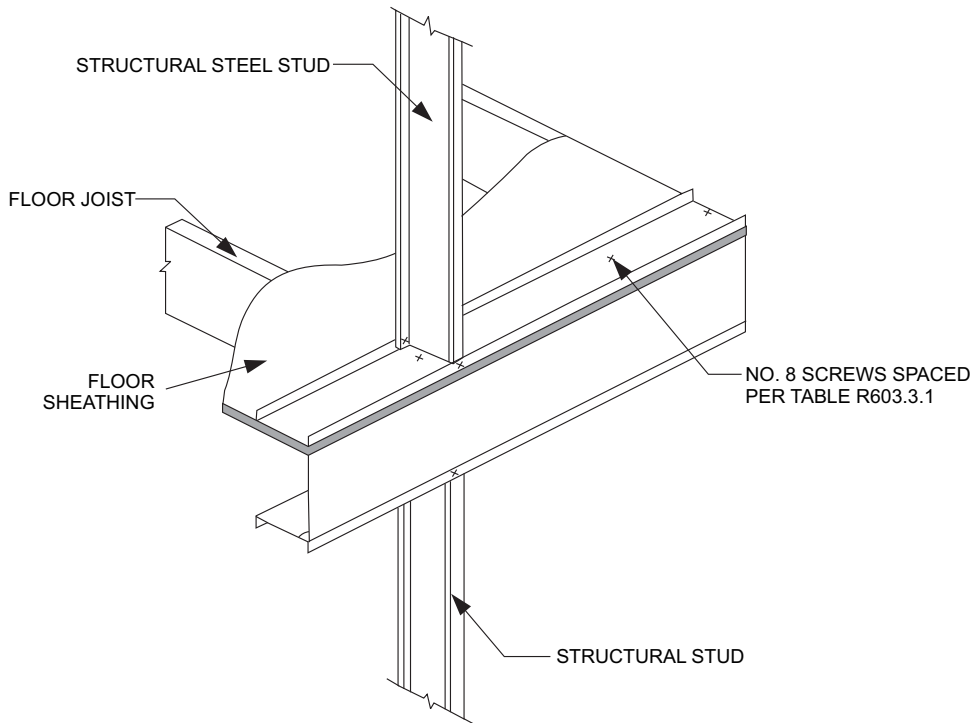
**R603.3.1.1 Gable endwalls.** Gable endwalls with heights greater than 10 feet (3048 mm) shall be anchored to foundations or floors in accordance with Tables R603.3.1.1(1) or R603.3.1.1(2).

**TABLE R603.3.1  
WALL TO FOUNDATION OR FLOOR CONNECTION REQUIREMENTS<sup>a,b</sup>**

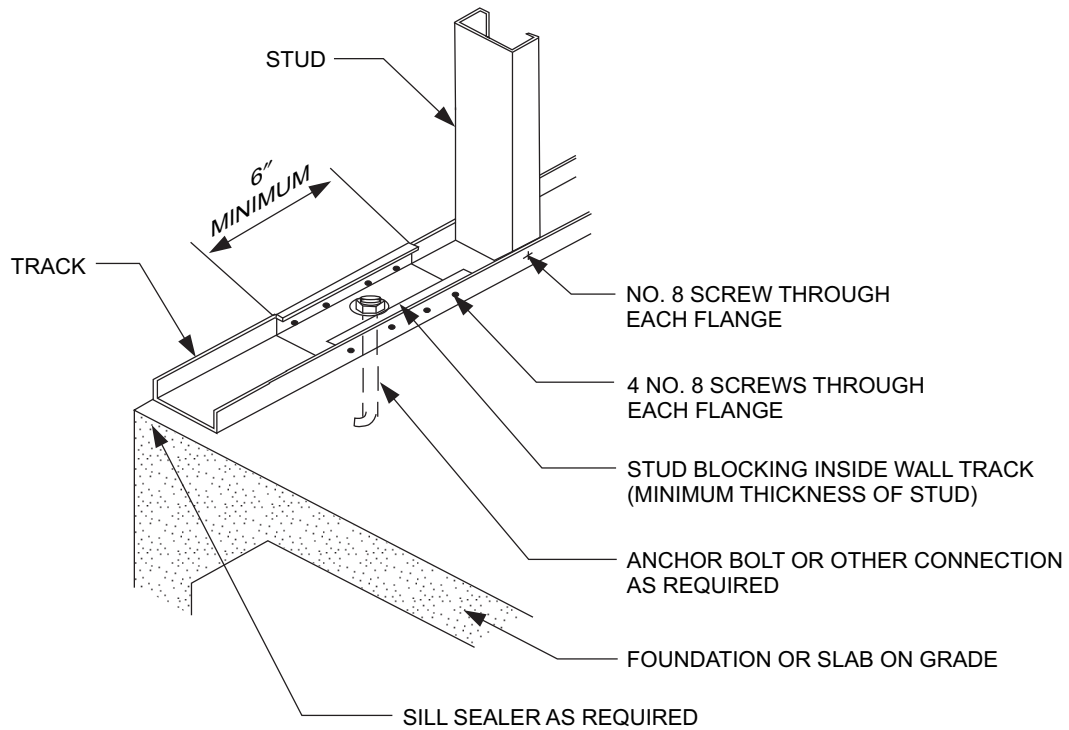
FRAMING CONDITION	WIND SPEED (mph) AND EXPOSURE					
	85 B	90 B	100 B 85 C	110 B 90 C	100 C	< 110 C
Wall bottom track to floor per Figure R603.3.1(1)	1-No. 8 screw at 12" o.c.	1-No. 8 screw at 12" o.c.	1-No. 8 screw at 12" o.c.	1-No. 8 screw at 12" o.c.	2-No. 8 screws at 12" o.c.	2 No. 8 screws at 12" o.c.
Wall bottom track to foundation per Figure R603.3.1(2) <sup>d</sup>	1/2" minimum diameter anchor bolt at 6' o.c.	1/2" minimum diameter anchor bolt at 6' o.c.	1/2" minimum diameter anchor bolt at 4' o.c.	1/2" minimum diameter anchor bolt at 4' o.c.	1/2" minimum diameter anchor bolt at 4' o.c.	1/2" minimum diameter anchor bolt at 4' o.c.
Wall bottom track to wood sill per Figure R603.3.1(3)	Steel plate spaced at 4' o.c., with 4-No. 8 screws and 4-10d or 6-8d common nails	Steel plate spaced at 4' o.c., with 4-No. 8 screws and 4-10d or 6-8d common nails	Steel plate spaced at 3' o.c., with 4-No. 8 screws and 4-10d or 6-8d common nails	Steel plate spaced at 3' o.c., with 4-No. 8 screws and 4-10d or 6-8d common nails	Steel plate spaced at 2' o.c., with 4-No. 8 screws and 4-10d or 6-8d common nails	Steel plate spaced at 2' o.c., with 4-No. 8 screws and 4-10d or 6-8d common nails
Wind uplift connector strength to 16" stud spacing <sup>c</sup>	NR	NR	NR	NR	NR	65 lb per foot of wall length
Wind uplift connector strength for 24" stud spacing <sup>c</sup>	NR	NR	NR	NR	NR	100 lb per foot of wall length

For SI: 1 inch = 25.4 mm, 1 mile per hour = 0.447 m/s, 1 foot = 304.8 mm, 1 lb = 4.45 N.

- a. Anchor bolts are to be located not more than 12 inches from corners or the termination of bottom tracks (e.g., at door openings or corners). Bolts are to extend a minimum of 15 inches into masonry or 7 inches into concrete.
- b. All screw sizes shown are minimum.
- c. NR = uplift connector not required.
- d. Foundation anchor straps are permitted in place of anchor bolts, if spaced as required to provide equivalent anchorage to the required anchor bolts and installed in accordance with manufacturer's requirements.

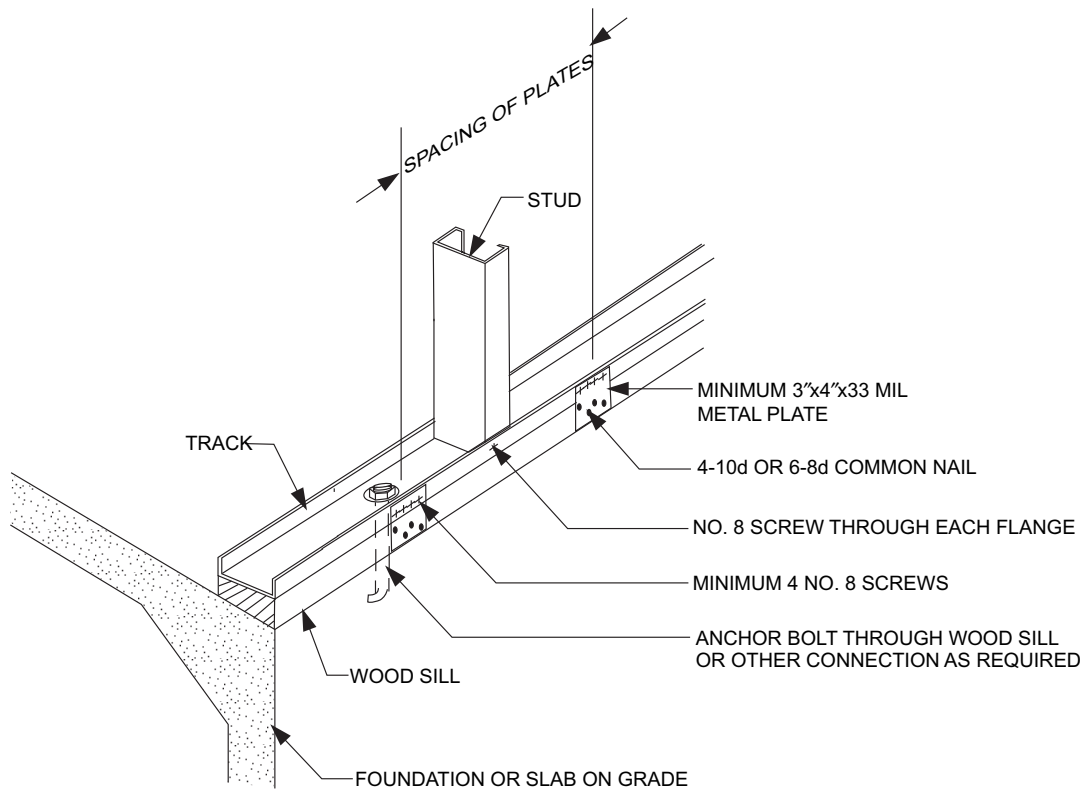


**FIGURE R603.3.1(1)  
WALL TO FLOOR CONNECTION**



For SI: 1 inch = 25.4 mm.

**FIGURE R603.3.1(2)**  
**WALL TO FOUNDATION CONNECTION**



For SI: 1 mil = 0.0254 mm, 1 inch = 25.4 mm.

**FIGURE R603.3.1(3)**  
**WALL TO WOOD SILL CONNECTION**



**TABLE R603.3.1.1(1)**  
**GABLE ENDWALL TO FLOOR CONNECTION REQUIREMENTS<sup>a,b,c</sup>**

BASIC WIND SPEED (mph)		WALL BOTTOM TRACK TO FLOOR JOIST OR TRACK CONNECTION		
Exposure		Stud height, h (ft)		
B	C	10 < h ≤ 14	14 < h ≤ 18	18 < h ≤ 22
85	—	1-No. 8 screw @ 12" o.c.	1-No. 8 screw @ 12" o.c.	1-No. 8 screw @ 12" o.c.
90	—	1-No. 8 screw @ 12" o.c.	1-No. 8 screw @ 12" o.c.	1-No. 8 screw @ 12" o.c.
100	85	1-No. 8 screw @ 12" o.c.	1-No. 8 screw @ 12" o.c.	1-No. 8 screw @ 12" o.c.
110	90	1-No. 8 screw @ 12" o.c.	1-No. 8 screw @ 12" o.c.	2-No. 8 screws @ 12" o.c.
—	100	1-No. 8 screw @ 12" o.c.	2-No. 8 screws @ 12" o.c.	1-No. 8 screw @ 8" o.c.
—	110	2-No. 8 screws @ 12" o.c.	1-No. 8 screw @ 8" o.c.	2-No. 8 screws @ 8" o.c.

For SI: 1 inch = 25.4 mm, 1 mile per hour = 0.447 m/s, 1 foot = 304.8 mm.

- a. Refer to Table R603.3.1.1(2) for gable endwall bottom track to foundation connections.
- b. Where attachment is not given, special design is required.
- c. Stud height, *h*, is measured from wall bottom track to wall top track or brace connection height.

**TABLE R603.3.1.1(2)**  
**GABLE ENDWALL BOTTOM TRACK TO FOUNDATION CONNECTION REQUIREMENTS<sup>a,b,c</sup>**

BASIC WIND SPEED (mph)		MINIMUM SPACING FOR 1/2 IN. DIAMETER ANCHOR BOLTS <sup>d</sup>		
Exposure		Stud height, h (ft)		
B	C	10 < h ≤ 14	14 < h ≤ 18	18 < h ≤ 22
85	—	6' - 0" o.c.	6' - 0" o.c.	6' - 0" o.c.
90	—	6' - 0" o.c.	5' - 7" o.c.	6' - 0" o.c.
100	85	5' - 10" o.c.	6' - 0" o.c.	6' - 0" o.c.
110	90	4' - 10" o.c.	5' - 6" o.c.	6' - 0" o.c.
—	100	4' - 1" o.c.	6' - 0" o.c.	6' - 0" o.c.
—	110	5' - 1" o.c.	6' - 0" o.c.	5' - 2" o.c.

For SI: 1 inch = 25.4 mm, 1 mile per hour = 0.447 m/s, 1 foot = 304.8 mm.

- a. Refer to Table R603.3.1.1(1) for gable endwall bottom track to floor joist or track connection connections.
- b. Where attachment is not given, special design is required.
- c. Stud height, *h*, is measured from wall bottom track to wall top track or brace connection height.
- d. Foundation anchor straps are permitted in place of anchor bolts if spaced as required to provide equivalent anchorage to the required anchor bolts and installed in accordance with manufacturer's requirements.

**R603.3.2 Minimum stud sizes.** Cold-formed steel walls shall be constructed in accordance with Figures R603.3.1(1), R603.3.1(2), or R603.3.1(3), as applicable. Exterior wall stud size and thickness shall be determined in accordance with the limits set forth in Tables R603.3.2(2) through R603.3.2(31). Interior load-bearing wall stud size and thickness shall be determined in accordance with the limits set forth in Tables R603.3.2(2) through R603.3.2(31) based upon an 85 miles per hour (38 m/s) Exposure A/B wind value and the building width, stud spacing and snow load, as appropriate. Fastening requirements shall be in accordance with Section R603.2.4 and Table R603.3.2(1). Top and bottom tracks shall have the same minimum thickness as the wall studs.

Exterior wall studs shall be permitted to be reduced to the next thinner size, as shown in Tables R603.3.2(2) through R603.3.2(31), but not less than 33 mils (0.84 mm), where both of the following conditions exist:

1. Minimum of 1/2 inch (12.7 mm) gypsum board is installed and fastened in accordance with Section R702 on the interior surface.
2. Wood structural sheathing panels of minimum 7/16 inch (11 mm) thick oriented strand board or 15/32 inch (12 mm) thick plywood is installed and fastened in accordance with Section R603.9.1 and Table R603.3.2(1) on the outside surface.

Interior load-bearing walls shall be permitted to be reduced to the next thinner size, as shown in Tables R603.3.2(2) through R603.3.2(31), but not less than 33 mils (0.84 mm), where a minimum of 1/2 inch (12.7 mm) gypsum board is installed and fastened in accordance with Section R702 on both sides of the wall. The tabulated stud thickness for load-bearing walls shall be used when the *attic* load is 10 pounds per square feet (480 Pa) or less. A limited *attic* storage load of 20 pounds per square feet (960 Pa) shall be permitted provided that

the next higher snow load column is used to select the stud size from Tables R603.3.2(2) through R603.3.2(31).

For two-story buildings, the tabulated stud thickness for walls supporting one floor, roof and ceiling shall be used when second floor live load is 30 pounds per square feet (1440 Pa). Second floor live loads of 40 psf (1920 pounds per square feet) shall be permitted provided that the next higher snow load column is used to select the stud size from Tables R603.3.2(2) through R603.3.2(21).

For three-story buildings, the tabulated stud thickness for walls supporting one or two floors, roof and ceiling shall be used when the third floor live load is 30 pounds per square feet (1440 Pa). Third floor live loads of 40 pounds per square feet (1920 Pa) shall be permitted provided that the next higher snow load column is used to select the stud size from Tables R603.3.2(22) through R603.3.2(31).

**R603.3.2.1 Gable endwalls.** The size and thickness of gable endwall studs with heights less than or equal to 10 feet (3048 mm) shall be permitted in accordance with the limits set forth in Tables R603.3.2.1(1) or R603.3.2.1(2). The size and thickness of gable endwall studs with heights greater than 10 feet (3048 mm) shall be determined in accordance with the limits set forth in Tables R603.3.2.1(3) or R603.3.2.1(4).

**R603.3.3 Stud bracing.** The flanges of cold-formed steel studs shall be laterally braced in accordance with one of the following:

1. Gypsum board on both sides, structural sheathing on both sides, or gypsum board on one side and structural sheathing on the other side of load-bearing walls with gypsum board installed with minimum No. 6 screws in accordance with Section R702 and structural sheathing installed in accordance with Section R603.9.1 and Table R603.3.2(1).
2. Horizontal steel straps fastened in accordance with Figure R603.3.3(1) on both sides at mid-height for 8-foot (2438 mm) walls, and at one-third points for 9-foot and 10-foot (2743 mm and 3048 mm) walls. Horizontal steel straps shall be at least 1.5 inches in width and 33 mils in thickness (38 mm by 0.84 mm). Straps shall be attached to the flanges of studs with one No. 8 screw. In-line blocking shall be installed between studs at the termina-

tion of all straps and at 12 foot (3658 mm) intervals along the strap. Straps shall be fastened to the blocking with two No. 8 screws.

3. Sheathing on one side and strapping on the other side fastened in accordance with Figure R603.3.3(2). Sheathing shall be installed in accordance with Item 1. Steel straps shall be installed in accordance with Item 2.

**R603.3.4 Cutting and notching.** Flanges and lips of cold-formed steel studs and headers shall not be cut or notched.

**R603.3.5 Splicing.** Steel studs and other structural members shall not be spliced. Tracks shall be spliced in accordance with Figure R603.3.5.

**R603.4 Corner framing.** In exterior walls, corner studs and the top tracks shall be installed in accordance with Figure R603.4.

**R603.5 Exterior wall covering.** The method of attachment of exterior wall covering materials to cold-formed steel stud wall framing shall conform to the manufacturer's installation instructions.

**R603.6 Headers.** Headers shall be installed above all wall openings in exterior walls and interior load-bearing walls. Box beam headers and back-to-back headers each shall be formed from two equal sized C-shaped members in accordance with Figures R603.6(1) and R603.6(2), respectively, and Tables R603.6(1) through R603.6(24). L-shaped headers shall be permitted to be constructed in accordance with AISI S230. Alternately, headers shall be permitted to be designed and constructed in accordance with AISI S100, Section D4.

**R603.6.1 Headers in gable endwalls.** Box beam and back-to-back headers in gable endwalls shall be permitted to be constructed in accordance with Section R603.6 or with the header directly above the opening in accordance with Figures R603.6.1(1) and R603.6.1(2) and the following provisions:

1. Two 362S162-33 for openings less than or equal to 4 feet (1219 mm).
2. Two 600S162-43 for openings greater than 4 feet (1219 mm) but less than or equal to 6 feet (1830 mm).
3. Two 800S162-54 for openings greater than 6 feet (1829 mm) but less than or equal to 9 feet (2743 mm).

**TABLE R603.3.2(1)  
WALL FASTENING SCHEDULE<sup>a</sup>**

DESCRIPTION OF BUILDING ELEMENT	NUMBER AND SIZE OF FASTENERS <sup>a</sup>	SPACING OF FASTENERS
Floor joist to track of load-bearing wall	2-No. 8 screws	Each joist
Wall stud to top or bottom track	2-No. 8 screws	Each end of stud, one per flange
Structural sheathing to wall studs	No. 8 screws <sup>b</sup>	6" o.c. on edges and 12" o.c. at intermediate supports
Roof framing to wall	Approved design or tie down in accordance with Section R802.11	

For SI: 1 inch = 25.4 mm.

a. All screw sizes shown are minimum.

b. Screws for attachment of structural sheathing panels are to be bugle-head, flat-head, or similar head styles with a minimum head diameter of 0.29 inch.



**TABLE R603.3.2(2)**  
**24-FOOT-WIDE BUILDING SUPPORTING ROOF AND CEILING ONLY<sup>a, b, c</sup>**  
**33 ksi STEEL**



WIND SPEED		MEMBER SIZE	STUD SPACING (inches)	MINIMUM STUD THICKNESS (mils)													
				8-Foot Studs				9-Foot Studs				10-Foot Studs					
Exp. B	Exp. C			Ground Snow Load (psf)													
				20	30	50	70	20	30	50	70	20	30	50	70		
85 mph	—	350S162	16	33	33	33	33	33	33	33	33	33	33	33	33	33	
			24	33	33	33	43	33	33	33	43	33	33	43	43		
		550S162	16	33	33	33	33	33	33	33	33	33	33	33	33	33	33
			24	33	33	33	33	33	33	33	33	33	33	33	33	33	33
90 mph	—	350S162	16	33	33	33	33	33	33	33	33	33	33	33	33	33	
			24	33	33	33	43	33	33	33	43	33	33	43	43		
		550S162	16	33	33	33	33	33	33	33	33	33	33	33	33	33	33
			24	33	33	33	33	33	33	33	33	33	33	33	33	33	33
100 mph	85 mph	350S162	16	33	33	33	33	33	33	33	33	33	33	33	33	33	
			24	33	33	33	43	33	33	33	43	43	43	43	43		
		550S162	16	33	33	33	33	33	33	33	33	33	33	33	33	33	33
			24	33	33	33	43	33	33	33	33	33	33	33	33	33	43
110 mph	90 mph	350S162	16	33	33	33	33	33	33	33	33	33	33	33	33	33	
			24	33	33	33	43	43	43	43	43	43	43	43	54		
		550S162	16	33	33	33	33	33	33	33	33	33	33	33	33	33	33
			24	33	33	33	43	33	33	33	33	33	43	43	43	43	
—	100 mph	350S162	16	33	33	33	33	33	33	33	33	43	43	43	43	43	
			24	43	43	43	43	43	43	43	43	54	54	54	54		
		550S162	16	33	33	33	33	33	33	33	33	33	33	33	33	33	
			24	33	33	33	43	43	43	43	43	43	43	43	43	43	
—	110 mph	350S162	16	33	33	33	33	43	43	43	43	43	43	43	43	43	
			24	43	43	43	43	54	54	54	54	68	68	68	68		
		550S162	16	33	33	33	33	33	33	33	33	33	33	33	33	33	
			24	33	43	43	43	43	43	43	43	43	43	43	43	43	

For SI: 1 inch = 25.4 mm, 1 foot = 304.8 mm, 1 mil = 0.0254 mm, 1 mile per hour = 0.447 m/s, 1 pound per square foot = 0.0479 kPa, 1 ksi = 1000 psi = 6.895 MPa.

a. Deflection criterion: *L/240*.

b. Design load assumptions:

Second floor dead load is 10 psf.

Second floor live load is 30 psf.

Roof/ceiling dead load is 12 psf.

Attic live load is 10 psf.

c. Building width is in the direction of horizontal framing members supported by the wall studs.

**TABLE R603.3.2(3)**  
**24-FOOT-WIDE BUILDING SUPPORTING ROOF AND CEILING ONLY<sup>a,b,c</sup>**  
**50 ksi STEEL**



WIND SPEED		MEMBER SIZE	STUD SPACING (inches)	MINIMUM STUD THICKNESS (mils)													
				8-Foot Studs				9-Foot Studs				10-Foot Studs					
Exp. B	Exp. C			Ground Snow Load (psf)													
				20	30	50	70	20	30	50	70	20	30	50	70		
85 mph	—	350S162	16	33	33	33	33	33	33	33	33	33	33	33	33	33	
			24	33	33	33	43	33	33	33	33	33	33	33	33	33	43
		550S162	16	33	33	33	33	33	33	33	33	33	33	33	33	33	33
			24	33	33	33	33	33	33	33	33	33	33	33	33	33	33
90 mph	—	350S162	16	33	33	33	33	33	33	33	33	33	33	33	33	33	
			24	33	33	33	43	33	33	33	33	33	33	33	33	43	
		550S162	16	33	33	33	33	33	33	33	33	33	33	33	33	33	
			24	33	33	33	33	33	33	33	33	33	33	33	33	33	
100 mph	85 mph	350S162	16	33	33	33	33	33	33	33	33	33	33	33	33	33	
			24	33	33	33	43	33	33	33	33	33	33	33	33	43	
		550S162	16	33	33	33	33	33	33	33	33	33	33	33	33	33	
			24	33	33	33	33	33	33	33	33	33	33	33	33	33	
110 mph	90 mph	350S162	16	33	33	33	33	33	33	33	33	33	33	33	33	33	
			24	33	33	33	43	33	33	33	43	43	43	43	43		
		550S162	16	33	33	33	33	33	33	33	33	33	33	33	33	33	
			24	33	33	33	33	33	33	33	33	33	33	33	33	33	
—	100 mph	350S162	16	33	33	33	33	33	33	33	33	33	33	33	33	33	
			24	33	33	33	43	43	43	43	43	43	43	43	43		
		550S162	16	33	33	33	33	33	33	33	33	33	33	33	33	33	
			24	33	33	33	33	33	33	33	33	33	33	33	33	33	
—	110 mph	350S162	16	33	33	33	33	33	33	33	33	33	33	33	33	33	
			24	33	33	33	43	43	43	43	43	54	54	54	54		
		550S162	16	33	33	33	33	33	33	33	33	33	33	33	33	33	
			24	33	33	33	33	33	33	33	33	33	33	33	33	33	

For SI: 1 inch = 25.4 mm, 1 foot = 304.8 mm, 1 mil = 0.0254 mm, 1 mile per hour = 0.447 m/s, 1 pound per square foot = 0.0479 kPa, 1 ksi = 1000 psi = 6.895 MPa.

- a. Deflection criterion:  $L/240$ .
- b. Design load assumptions:
  - Second floor dead load is 10 psf.
  - Second floor live load is 30 psf.
  - Roof/ceiling dead load is 12 psf.
  - Attic live load is 10 psf.
- c. Building width is in the direction of horizontal framing members supported by the wall studs.

**TABLE R603.3.2(4)**  
**28-FOOT-WIDE BUILDING SUPPORTING ROOF AND CEILING ONLY<sup>a,b,c</sup>**  
**33 ksi STEEL**



WIND SPEED		MEMBER SIZE	STUD SPACING (inches)	MINIMUM STUD THICKNESS (mils)													
				8-Foot Studs				9-Foot Studs				10-Foot Studs					
Exp. B	Exp. C			Ground Snow Load (psf)													
				20	30	50	70	20	30	50	70	20	30	50	70		
85 mph	—	350S162	16	33	33	33	33	33	33	33	33	33	33	33	33	33	
			24	33	33	43	43	33	33	43	43	33	33	43	43	54	
		550S162	16	33	33	33	33	33	33	33	33	33	33	33	33	33	33
			24	33	33	33	43	33	33	33	33	43	33	33	33	33	43
90 mph	—	350S162	16	33	33	33	33	33	33	33	33	33	33	33	33	33	
			24	33	33	43	43	33	33	43	43	33	33	43	54		
		550S162	16	33	33	33	33	33	33	33	33	33	33	33	33	33	33
			24	33	33	33	43	33	33	33	33	43	33	33	33	33	43
100 mph	85 mph	350S162	16	33	33	33	33	33	33	33	33	33	33	33	33	33	
			24	33	33	43	43	33	33	43	43	43	43	43	54		
		550S162	16	33	33	33	33	33	33	33	33	33	33	33	33	33	33
			24	33	33	33	43	33	33	33	33	43	33	33	33	33	43
110 mph	90 mph	350S162	16	33	33	33	33	33	33	33	33	33	33	33	33	43	
			24	33	33	43	43	43	43	43	43	43	43	43	54		
		550S162	16	33	33	33	33	33	33	33	33	33	33	33	33	33	33
			24	33	33	33	43	33	33	33	33	43	33	33	33	33	43
—	100 mph	350S162	16	33	33	33	33	33	33	33	33	43	43	43	43	43	
			24	43	43	43	54	43	43	43	54	54	54	54	54		
		550S162	16	33	33	33	33	33	33	33	33	33	33	33	33	33	33
			24	33	33	33	43	33	33	33	43	33	33	33	33	33	43
—	110 mph	350S162	16	33	33	33	33	43	43	43	43	43	43	43	43	43	
			24	43	43	43	54	54	54	54	54	68	68	68	68		
		550S162	16	33	33	33	33	33	33	33	33	33	33	33	33	33	33
			24	33	33	33	43	33	33	33	43	43	43	43	43	43	43

For SI: 1 inch = 25.4 mm, 1 foot = 304.8 mm, 1 mil = 0.0254 mm, 1 mile per hour = 0.447 m/s, 1 pound per square foot = 0.0479 kPa, 1 ksi = 1000 psi = 6.895 MPa.

a. Deflection criterion:  $L/240$ .

b. Design load assumptions:

Second floor dead load is 10 psf.

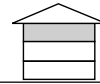
Second floor live load is 30 psf.

Roof/ceiling dead load is 12 psf.

Attic live load is 10 psf.

c. Building width is in the direction of horizontal framing members supported by the wall studs.

**TABLE R603.3.2(5)**  
**28-FOOT-WIDE BUILDING SUPPORTING ROOF AND CEILING ONLY<sup>a,b,c</sup>**  
**50 ksi STEEL**



WIND SPEED		MEMBER SIZE	STUD SPACING (inches)	MINIMUM STUD THICKNESS (mils)													
				8-Foot Studs				9-Foot Studs				10-Foot Studs					
Exp. B	Exp. C			Ground Snow Load (psf)													
				20	30	50	70	20	30	50	70	20	30	50	70		
85 mph	—	350S162	16	33	33	33	33	33	33	33	33	33	33	33	33	33	
			24	33	33	33	43	33	33	33	43	33	33	33	33	43	
		550S162	16	33	33	33	33	33	33	33	33	33	33	33	33	33	33
			24	33	33	33	33	33	33	33	33	33	33	33	33	33	33
90 mph	—	350S162	16	33	33	33	33	33	33	33	33	33	33	33	33	33	
			24	33	33	33	43	33	33	33	43	33	33	33	43		
		550S162	16	33	33	33	33	33	33	33	33	33	33	33	33	33	33
			24	33	33	33	33	33	33	33	33	33	33	33	33	33	33
100 mph	85 mph	350S162	16	33	33	33	33	33	33	33	33	33	33	33	33	33	
			24	33	33	33	43	33	33	33	43	33	33	43	43		
		550S162	16	33	33	33	33	33	33	33	33	33	33	33	33	33	33
			24	33	33	33	33	33	33	33	33	33	33	33	33	33	33
110 mph	90 mph	350S162	16	33	33	33	33	33	33	33	33	33	33	33	33	33	
			24	33	33	33	43	33	33	33	43	43	43	43	43		
		550S162	16	33	33	33	33	33	33	33	33	33	33	33	33	33	33
			24	33	33	33	33	33	33	33	33	33	33	33	33	33	33
—	100 mph	350S162	16	33	33	33	33	33	33	33	33	33	33	33	33	33	
			24	33	33	33	43	43	43	43	43	43	43	43	43		
		550S162	16	33	33	33	33	33	33	33	33	33	33	33	33	33	33
			24	33	33	33	43	33	33	33	33	33	33	33	33	33	33
—	110 mph	350S162	16	33	33	33	33	33	33	33	33	33	33	33	33	33	
			24	33	33	43	43	43	43	43	43	54	54	54	54		
		550S162	16	33	33	33	33	33	33	33	33	33	33	33	33	33	33
			24	33	33	33	33	33	33	33	33	33	33	33	33	33	43

For SI: 1 inch = 25.4 mm, 1 foot = 304.8 mm, 1 mil = 0.0254 mm, 1 mile per hour = 0.447 m/s, 1 pound per square foot = 0.0479 kPa, 1 ksi = 1000 psi = 6.895 MPa.

a. Deflection criterion:  $L/240$ .

b. Design load assumptions:

Second floor dead load is 10 psf.

Second floor live load is 30 psf.

Roof/ceiling dead load is 12 psf.

Attic live load is 10 psf.

c. Building width is in the direction of horizontal framing members supported by the wall studs.

**TABLE R603.3.2(6)**  
**32-FOOT-WIDE BUILDING SUPPORTING ROOF AND CEILING ONLY<sup>a,b,c</sup>**  
**33 ksi STEEL**



WIND SPEED		MEMBER SIZE	STUD SPACING (inches)	MINIMUM STUD THICKNESS (mils)													
				8-Foot Studs				9-Foot Studs				10-Foot Studs					
Exp. B	Exp. C			Ground Snow Load (psf)													
				20	30	50	70	20	30	50	70	20	30	50	70		
85 mph	—	350S162	16	33	33	33	33	33	33	33	33	33	33	33	33	43	
			24	33	33	43	54	33	33	43	43	33	33	43	43	54	
		550S162	16	33	33	33	33	33	33	33	33	33	33	33	33	33	33
			24	33	33	33	43	33	33	33	33	43	33	33	33	33	43
90 mph	—	350S162	16	33	33	33	33	33	33	33	33	33	33	33	33	43	
			24	33	33	43	54	33	33	43	43	33	33	43	54		
		550S162	16	33	33	33	33	33	33	33	33	33	33	33	33	33	33
			24	33	33	33	43	33	33	33	33	43	33	33	33	33	43
100 mph	85 mph	350S162	16	33	33	33	33	33	33	33	33	33	33	33	33	43	
			24	33	33	43	54	33	33	43	54	43	43	43	54		
		550S162	16	33	33	33	33	33	33	33	33	33	33	33	33	33	33
			24	33	33	33	43	33	33	33	33	43	33	33	33	33	43
110 mph	90 mph	350S162	16	33	33	33	43	33	33	33	33	33	33	33	33	43	
			24	33	33	43	54	43	43	43	54	43	43	43	54		
		550S162	16	33	33	33	33	33	33	33	33	33	33	33	33	33	33
			24	33	33	33	43	33	33	33	33	43	33	33	33	43	43
—	100 mph	350S162	16	33	33	33	43	33	33	33	43	43	43	43	43	43	
			24	43	43	43	54	43	43	43	54	54	54	54	54		
		550S162	16	33	33	33	33	33	33	33	33	33	33	33	33	33	33
			24	33	33	43	43	33	33	33	33	43	33	33	33	43	43
—	110 mph	350S162	16	33	33	33	43	43	43	43	43	43	43	43	43	43	
			24	43	43	43	54	54	54	54	54	68	68	68	68		
		550S162	16	33	33	33	33	33	33	33	33	33	33	33	33	33	33
			24	33	33	43	43	33	33	33	43	43	43	43	43	43	43

For SI: 1 inch = 25.4 mm, 1 foot = 304.8 mm, 1 mil = 0.0254 mm, 1 mile per hour = 0.447 m/s, 1 pound per square foot = 0.0479kPa, 1 ksi = 1000 psi = 6.895 MPa.

- a. Deflection criterion:  $L/240$ .
- b. Design load assumptions:
  - Second floor dead load is 10 psf.
  - Second floor live load is 30 psf.
  - Roof/ceiling dead load is 12 psf.
  - Attic live load is 10 psf.
- c. Building width is in the direction of horizontal framing members supported by the wall studs.

**TABLE R603.3.2(7)**  
**32-FOOT-WIDE BUILDING SUPPORTING ROOF AND CEILING ONLY<sup>a,b,c</sup>**  
**50 ksi STEEL**



WIND SPEED		MEMBER SIZE	STUD SPACING (inches)	MINIMUM STUD THICKNESS (mils)												
				8-Foot Studs				9-Foot Studs				10-Foot Studs				
Exp. B	Exp. C			Ground Snow Load (psf)												
		20    30    50    70    20    30    50    70    20    30    50    70														
85 mph	—	350S162	16	33	33	33	33	33	33	33	33	33	33	33	33	
			24	33	33	33	43	33	33	33	43	33	33	43	43	
		550S162	16	33	33	33	33	33	33	33	33	33	33	33	33	33
			24	33	33	33	43	33	33	33	33	33	33	33	33	43
90 mph	—	350S162	16	33	33	33	33	33	33	33	33	33	33	33	33	
			24	33	33	33	43	33	33	33	43	33	33	43	43	
		550S162	16	33	33	33	33	33	33	33	33	33	33	33	33	33
			24	33	33	33	43	33	33	33	33	33	33	33	33	43
100 mph	85 mph	350S162	16	33	33	33	33	33	33	33	33	33	33	33	33	
			24	33	33	43	43	33	33	33	43	33	33	43	43	
		550S162	16	33	33	33	33	33	33	33	33	33	33	33	33	33
			24	33	33	33	43	33	33	33	33	33	33	33	33	43
110 mph	90 mph	350S162	16	33	33	33	33	33	33	33	33	33	33	33	33	
			24	33	33	43	43	33	33	33	43	43	43	43	54	
		550S162	16	33	33	33	33	33	33	33	33	33	33	33	33	33
			24	33	33	33	43	33	33	33	33	33	33	33	33	43
—	100 mph	350S162	16	33	33	33	33	33	33	33	33	33	33	33	33	
			24	33	33	43	43	43	43	43	43	43	43	43	54	
		550S162	16	33	33	33	33	33	33	33	33	33	33	33	33	33
			24	33	33	33	43	33	33	33	33	43	33	33	33	43
—	110 mph	350S162	16	33	33	33	33	33	33	33	33	33	33	33	43	
			24	33	33	43	43	43	43	43	43	54	54	54	54	
		550S162	16	33	33	33	33	33	33	33	33	33	33	33	33	33
			24	33	33	33	43	33	33	33	33	43	33	33	33	43

For SI: 1 inch = 25.4 mm, 1 foot = 304.8 mm, 1 mil = 0.0254 mm, 1 mile per hour = 0.447 m/s, 1 pound per square foot = 0.0479 kPa, 1 ksi = 1000 psi = 6.895 MPa.

- a. Deflection criterion:  $L/240$ .
- b. Design load assumptions:
  - Second floor dead load is 10 psf.
  - Second floor live load is 30 psf.
  - Roof/ceiling dead load is 12 psf.
  - Attic live load is 10 psf.
- c. Building width is in the direction of horizontal framing members supported by the wall studs.

**TABLE R603.3.2(8)**  
**36-FOOT-WIDE BUILDING SUPPORTING ROOF AND CEILING ONLY<sup>a,b,c</sup>**  
**33 ksi STEEL**

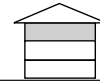


WIND SPEED		MEMBER SIZE	STUD SPACING (inches)	MINIMUM STUD THICKNESS (mils)												
				8-Foot Studs				9-Foot Studs				10-Foot Studs				
Exp. B	Exp. C			Ground Snow Load (psf)												
		20    30    50    70    20    30    50    70    20    30    50    70														
85 mph	—	350S162	16	33	33	33	43	33	33	33	43	33	33	33	43	
			24	33	33	43	54	33	33	43	54	33	43	43	54	
		550S162	16	33	33	33	33	33	33	33	33	33	33	33	33	33
			24	33	33	43	43	33	33	43	43	33	33	43	43	
90 mph	—	350S162	16	33	33	33	43	33	33	33	43	33	33	33	43	
			24	33	33	43	54	33	33	43	54	33	43	43	54	
		550S162	16	33	33	33	33	33	33	33	33	33	33	33	33	33
			24	33	33	43	43	33	33	43	43	33	33	43	43	
100 mph	85 mph	350S162	16	33	33	33	43	33	33	33	43	33	33	33	43	
			24	33	33	43	54	33	33	43	54	43	43	54	54	
		550S162	16	33	33	33	33	33	33	33	33	33	33	33	33	33
			24	33	33	43	43	33	33	43	43	33	33	43	43	
110 mph	90 mph	350S162	16	33	33	33	43	33	33	33	43	33	33	33	43	
			24	33	33	43	54	43	43	43	43	43	43	54	68	
		550S162	16	33	33	33	33	33	33	33	33	33	33	33	33	33
			24	33	33	43	43	33	33	43	43	33	33	43	43	
—	100 mph	350S162	16	33	33	33	43	33	33	33	43	43	43	43	43	
			24	43	43	43	54	43	43	43	54	54	54	54	68	
		550S162	16	33	33	33	33	33	33	33	33	33	33	33	33	33
			24	33	33	43	43	33	33	43	43	33	33	43	43	
—	110 mph	350S162	16	33	33	33	43	43	43	43	43	43	43	43	43	
			24	43	43	54	54	54	54	54	54	68	68	68	68	
		550S162	16	33	33	33	33	33	33	33	33	33	33	33	33	33
			24	33	33	43	54	33	33	43	43	43	43	43	43	54

For SI: 1 inch = 25.4 mm, 1 foot = 304.8 mm, 1 mil = 0.0254 mm, 1 mile per hour = 0.447 m/s, 1 pound per square foot = 0.0479 kPa, 1 ksi = 1000 psi = 6.895 MPa.

- a. Deflection criterion:  $L/240$ .
- b. Design load assumptions:
  - Second floor dead load is 10 psf.
  - Second floor live load is 30 psf.
  - Roof/ceiling dead load is 12 psf.
  - Attic live load is 10 psf.
- c. Building width is in the direction of horizontal framing members supported by the wall studs.

**TABLE R603.3.2(9)**  
**36-FOOT-WIDE BUILDING SUPPORTING ROOF AND CEILING ONLY<sup>a,b,c</sup>**  
**50 ksi STEEL**



WIND SPEED		MEMBER SIZE	STUD SPACING (inches)	MINIMUM STUD THICKNESS (mils)												
				8-Foot Studs				9-Foot Studs				10-Foot Studs				
Exp. B	Exp. C			Ground Snow Load (psf)												
		20    30    50    70    20    30    50    70    20    30    50    70														
85 mph	—	350S162	16	33	33	33	33	33	33	33	33	33	33	33	33	
			24	33	33	43	43	33	33	43	43	33	33	43	54	
		550S162	16	33	33	33	33	33	33	33	33	33	33	33	33	33
			24	33	33	33	43	33	33	33	43	33	33	33	33	43
90 mph	—	350S162	16	33	33	33	33	33	33	33	33	33	33	33	33	
			24	33	33	43	43	33	33	43	43	33	33	43	54	
		550S162	16	33	33	33	33	33	33	33	33	33	33	33	33	33
			24	33	33	33	43	33	33	33	43	33	33	33	33	43
100 mph	85 mph	350S162	16	33	33	33	33	33	33	33	33	33	33	33	33	
			24	33	33	43	43	33	33	43	43	33	33	43	54	
		550S162	16	33	33	33	33	33	33	33	33	33	33	33	33	33
			24	33	33	33	43	33	33	33	43	33	33	33	33	43
110 mph	90 mph	350S162	16	33	33	33	33	33	33	33	33	33	33	33	33	
			24	33	33	43	54	33	33	33	43	43	43	43	54	
		550S162	16	33	33	33	33	33	33	33	33	33	33	33	33	33
			24	33	33	33	43	33	33	33	43	33	33	33	33	43
—	100 mph	350S162	16	33	33	33	33	33	33	33	33	33	33	33	33	
			24	33	33	33	54	43	43	43	43	43	43	43	54	
		550S162	16	33	33	33	33	33	33	33	33	33	33	33	33	33
			24	33	33	33	43	33	33	33	43	33	33	33	33	43
—	110 mph	350S162	16	33	33	33	43	33	33	33	33	33	33	33	33	
			24	33	33	43	54	43	43	43	54	54	54	54	54	
		550S162	16	33	33	33	33	33	33	33	33	33	33	33	33	33
			24	33	33	33	43	33	33	33	43	33	33	33	33	43

For SI: 1 inch = 25.4 mm, 1 foot = 304.8 mm, 1 mil = 0.0254 mm, 1 mile per hour = 0.447 m/s, 1 pound per square foot = 0.0479 kPa, 1 ksi = 1000 psi = 6.895 MPa.

- a. Deflection criterion:  $L/240$ .
- b. Design load assumptions:
  - Second floor dead load is 10 psf.
  - Second floor live load is 30 psf.
  - Roof/ceiling dead load is 12 psf.
  - Attic live load is 10 psf.
- c. Building width is in the direction of horizontal framing members supported by the wall studs.



**TABLE R603.3.2(10)**  
**40-FOOT-WIDE BUILDING SUPPORTING ROOF AND CEILING ONLY<sup>a,b,c</sup>**  
**33 ksi STEEL**

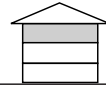


WIND SPEED		MEMBER SIZE	STUD SPACING (inches)	MINIMUM STUD THICKNESS (mils)																											
				8-Foot Studs				9-Foot Studs				10-Foot Studs																			
Exp. B	Exp. C			Ground Snow Load (psf)																											
		<table border="1" style="width:100%; border-collapse: collapse;"> <thead> <tr> <th>20</th><th>30</th><th>50</th><th>70</th><th>20</th><th>30</th><th>50</th><th>70</th><th>20</th><th>30</th><th>50</th><th>70</th><th>20</th><th>30</th><th>50</th><th>70</th> </tr> </thead> </table>														20	30	50	70	20	30	50	70	20	30	50	70	20	30	50	70
20	30	50	70	20	30	50	70	20	30	50	70	20	30	50	70																
85 mph	—	350S162	16	33	33	33	43	33	33	33	43	33	33	33	43																
			24	33	33	43	54	33	33	43	54	43	43	54	68																
		550S162	16	33	33	33	33	33	33	33	33	33	33	33	33																
			24	33	33	43	54	33	33	43	43	33	33	43	54																
90 mph	—	350S162	16	33	33	33	43	33	33	33	43	33	33	33	43																
			24	33	33	43	54	33	33	43	54	43	43	54	68																
		550S162	16	33	33	33	33	33	33	33	33	33	33	33	33																
			24	33	33	43	54	33	33	43	43	33	33	43	54																
100 mph	85 mph	350S162	16	33	33	33	43	33	33	33	43	33	33	33	43																
			24	33	43	43	54	33	43	43	54	43	43	54	68																
		550S162	16	33	33	33	43	33	33	33	33	33	33	33	33																
			24	33	33	43	54	33	33	43	43	33	33	43	54																
110 mph	90 mph	350S162	16	33	33	33	43	33	33	33	43	33	33	33	43																
			24	33	43	43	54	43	43	43	54	43	43	54	68																
		550S162	16	33	33	33	43	33	33	33	33	33	33	33	43																
			24	33	33	43	54	33	33	43	43	33	33	43	54																
—	100 mph	350S162	16	33	33	33	43	33	33	33	43	43	43	43	43																
			24	43	43	54	68	43	43	54	54	54	54	54	68																
		550S162	16	33	33	33	43	33	33	33	33	33	33	33	43																
			24	33	33	43	54	33	33	43	54	33	33	43	54																
—	110 mph	350S162	16	33	33	43	43	43	43	43	43	43	43	43	54																
			24	43	43	54	68	54	54	54	68	68	68	68	68																
		550S162	16	33	33	33	43	33	33	33	43	33	33	33	43																
			24	33	33	43	54	33	33	43	54	43	43	43	54																

For SI: 1 inch = 25.4 mm, 1 foot = 304.8 mm, 1 mil = 0.0254 mm, 1 mile per hour = 0.447 m/s, 1 pound per square foot = 0.0479 kPa, 1 ksi = 1000 psi = 6.895 MPa.

- a. Deflection criterion:  $L/240$ .
- b. Design load assumptions:
  - Second floor dead load is 10 psf.
  - Second floor live load is 30 psf.
  - Roof/ceiling dead load is 12 psf.
  - Attic live load is 10 psf.
- c. Building width is in the direction of horizontal framing members supported by the wall studs.

**TABLE R603.3.2(11)**  
**40-FOOT-WIDE BUILDING SUPPORTING ROOF AND CEILING ONLY<sup>a,b,c</sup>**  
**50 ksi STEEL**



WIND SPEED		MEMBER SIZE	STUD SPACING (Inches)	MINIMUM STUD THICKNESS (mils)													
				8-Foot Studs				9-Foot Studs				10-Foot Studs					
Exp. B	Exp. C			Ground Snow Load (psf)													
				20	30	50	70	20	30	50	70	20	30	50	70		
85 mph	—	350S162	16	33	33	33	33	33	33	33	33	33	33	33	33	43	
			24	33	33	43	54	33	33	43	43	33	33	43	43	54	
		550S162	16	33	33	33	33	33	33	33	33	33	33	33	33	33	33
			24	33	33	33	43	33	33	33	43	33	33	33	33	33	43
90 mph	—	350S162	16	33	33	33	33	33	33	33	33	33	33	33	33	43	
			24	33	33	43	54	33	33	43	43	33	33	43	54		
		550S162	16	33	33	33	33	33	33	33	33	33	33	33	33	33	33
			24	33	33	33	43	33	33	33	43	33	33	33	33	33	43
100 mph	85 mph	350S162	16	33	33	33	43	33	33	33	33	33	33	33	33	43	
			24	33	33	43	54	33	33	43	54	33	33	43	54		
		550S162	16	33	33	33	33	33	33	33	33	33	33	33	33	33	33
			24	33	33	33	43	33	33	33	43	33	33	33	33	33	43
110 mph	90 mph	350S162	16	33	33	33	43	33	33	33	33	33	33	33	33	43	
			24	33	33	43	54	33	33	43	54	43	43	43	54		
		550S162	16	33	33	33	33	33	33	33	33	33	33	33	33	33	33
			24	33	33	33	43	33	33	33	43	33	33	33	33	33	43
—	100 mph	350S162	16	33	33	33	43	33	33	33	43	33	33	33	33	43	
			24	33	33	43	54	43	43	43	54	43	43	54	54		
		550S162	16	33	33	33	33	33	33	33	33	33	33	33	33	33	33
			24	33	33	43	43	33	33	33	43	33	33	33	43	43	
—	110 mph	350S162	16	33	33	33	43	33	33	33	43	33	33	33	33	43	
			24	33	33	43	54	43	43	43	54	54	54	54	68		
		550S162	16	33	33	33	33	33	33	33	33	33	33	33	33	33	33
			24	33	33	43	43	33	33	33	43	33	33	33	33	43	43

For SI: 1 inch = 25.4 mm, 1 foot = 304.8 mm, 1 mil = 0.0254 mm, 1 mile per hour = 0.447 m/s, 1 pound per square foot = 0.0479kPa,  
 1 ksi = 1000 psi = 6.895 MPa.

- a. Deflection criterion:  $L/240$ .
- b. Design load assumptions:
  - Second floor dead load is 10 psf.
  - Second floor live load is 30 psf.
  - Roof/ceiling dead load is 12 psf.
  - Attic live load is 10 psf.
- c. Building width is in the direction of horizontal framing members supported by the wall studs.

**TABLE R603.3.2(12)**  
**24-FOOT-WIDE BUILDING SUPPORTING ONE FLOOR, ROOF AND CEILING<sup>a,b,c</sup>**  
**33 ksi STEEL**



WIND SPEED		MEMBER SIZE	STUD SPACING (inches)	MINIMUM STUD THICKNESS (mils)													
Exp. B	Exp. C			8-Foot Studs				9-Foot Studs				10-Foot Studs					
				Ground Snow Load (psf)													
				20	30	50	70	20	30	50	70	20	30	50	70		
85 mph	—	350S162	16	33	33	33	33	33	33	33	33	33	33	33	33	43	
			24	33	33	43	43	33	43	43	43	43	43	43	43	43	54
		550S162	16	33	33	33	33	33	33	33	33	33	33	33	33	33	33
			24	33	33	33	43	33	33	33	43	33	33	33	33	33	43
90 mph	—	350S162	16	33	33	33	33	33	33	33	33	33	33	33	33	43	
			24	33	33	43	43	33	43	43	43	43	43	43	43	54	
		550S162	16	33	33	33	33	33	33	33	33	33	33	33	33	33	33
			24	33	33	33	43	33	33	33	43	33	33	33	33	33	43
100 mph	85 mph	350S162	16	33	33	33	33	33	33	33	33	33	33	33	33	43	
			24	33	43	43	43	43	43	43	43	43	43	43	43	54	
		550S162	16	33	33	33	33	33	33	33	33	33	33	33	33	33	33
			24	33	33	33	43	33	33	33	43	33	33	33	33	33	43
110 mph	90 mph	350S162	16	33	33	33	43	33	33	33	33	33	33	33	43	43	
			24	43	43	43	43	43	43	43	43	54	54	54	54		
		550S162	16	33	33	33	33	33	33	33	33	33	33	33	33	33	
			24	33	33	33	43	33	33	33	43	43	43	43	43	43	
—	100 mph	350S162	16	33	33	33	43	33	33	33	43	43	43	43	43	43	
			24	43	43	43	54	43	43	54	54	54	54	54	54		
		550S162	16	33	33	33	33	33	33	33	33	33	33	33	33	33	
			24	33	33	33	43	43	43	43	43	43	43	43	43	43	
—	110 mph	350S162	16	33	33	33	43	43	43	43	43	43	43	43	43	43	
			24	43	43	43	54	54	54	54	54	68	68	68	68		
		550S162	16	33	33	33	33	33	33	33	33	33	33	33	33	33	
			24	43	43	43	43	43	43	43	43	43	43	43	43	43	

For SI: 1 inch = 25.4 mm, 1 foot = 304.8 mm, 1 mil = 0.0254 mm, 1 mile per hour = 0.447 m/s, 1 pound per square foot = 0.0479kPa, 1 ksi = 1000 psi = 6.895 MPa.

- a. Deflection criterion:  $L/240$ .
- b. Design load assumptions:
  - Second floor dead load is 10 psf.
  - Second floor live load is 30 psf.
  - Roof/ceiling dead load is 12 psf.
  - Attic live load is 10 psf.
- c. Building width is in the direction of horizontal framing members supported by the wall studs.

**TABLE R603.3.2(13)**  
**24-FOOT-WIDE BUILDING SUPPORTING ONE FLOOR, ROOF AND CEILING<sup>a,b,c</sup>**  
**50 ksi STEEL**



WIND SPEED		MEMBER SIZE	STUD SPACING (Inches)	MINIMUM STUD THICKNESS (mils)													
				8-Foot Studs				9-Foot Studs				10-Foot Studs					
Exp. B	Exp. C			Ground Snow Load (psf)													
				20	30	50	70	20	30	50	70	20	30	50	70		
85 mph	—	350S162	16	33	33	33	33	33	33	33	33	33	33	33	33	33	
			24	33	33	33	43	33	33	33	43	33	33	43	33	43	43
		550S162	16	33	33	33	33	33	33	33	33	33	33	33	33	33	33
			24	33	33	33	33	33	33	33	33	33	33	33	33	33	33
90 mph	—	350S162	16	33	33	33	33	33	33	33	33	33	33	33	33	33	
			24	33	33	33	43	33	33	33	43	33	33	43	33	43	
		550S162	16	33	33	33	33	33	33	33	33	33	33	33	33	33	33
			24	33	33	33	33	33	33	33	33	33	33	33	33	33	33
100 mph	85 mph	350S162	16	33	33	33	33	33	33	33	33	33	33	33	33	33	
			24	33	33	33	43	33	33	33	43	43	43	43	43	43	
		550S162	16	33	33	33	33	33	33	33	33	33	33	33	33	33	33
			24	33	33	33	33	33	33	33	33	33	33	33	33	33	33
110 mph	90 mph	350S162	16	33	33	33	33	33	33	33	33	33	33	33	33	33	
			24	33	33	43	43	33	33	43	43	43	43	43	43	43	
		550S162	16	33	33	33	33	33	33	33	33	33	33	33	33	33	33
			24	33	33	33	33	33	33	33	33	33	33	33	33	33	33
—	100 mph	350S162	16	33	33	33	33	33	33	33	33	33	33	33	33	33	
			24	33	33	43	43	43	43	43	43	43	43	43	43	54	
		550S162	16	33	33	33	33	33	33	33	33	33	33	33	33	33	33
			24	33	33	33	43	33	33	33	33	33	33	33	33	33	43
—	110 mph	350S162	16	33	33	33	33	33	33	33	33	33	33	33	43	43	
			24	43	43	43	43	43	43	43	43	54	54	54	54		
		550S162	16	33	33	33	33	33	33	33	33	33	33	33	33	33	
			24	33	33	33	43	33	33	33	33	33	33	33	33	33	43

For SI: 1 inch = 25.4 mm, 1 foot = 304.8 mm, 1 mil = 0.0254 mm, 1 mile per hour = 0.447 m/s, 1 pound per square foot = 0.0479 kPa, 1 ksi = 1000 psi = 6.895 MPa.

- a. Deflection criterion:  $L/240$ .
- b. Design load assumptions:
  - Second floor dead load is 10 psf.
  - Second floor live load is 30 psf.
  - Roof/ceiling dead load is 12 psf.
  - Attic live load is 10 psf.
- c. Building width is in the direction of horizontal framing members supported by the wall studs.

**TABLE R603.3.2(14)**  
**28-FOOT-WIDE BUILDING SUPPORTING ONE FLOOR, ROOF AND CEILING<sup>a,b,c</sup>**  
**33 ksi STEEL**



WIND SPEED		MEMBER SIZE	STUD SPACING (inches)	MINIMUM STUD THICKNESS (mils)												
Exp. B	Exp. C			8-Foot Studs				9-Foot Studs				10-Foot Studs				
				Ground Snow Load (psf)												
				20	30	50	70	20	30	50	70	20	30	50	70	
85 mph	—	350S162	16	33	33	33	43	33	33	33	43	33	33	33	43	
			24	43	43	43	54	43	43	43	54	43	43	43	54	
		550S162	16	33	33	33	33	33	33	33	33	33	33	33	33	33
			24	33	33	43	43	33	33	43	43	33	33	43	43	43
90 mph	—	350S162	16	33	33	33	43	33	33	33	43	33	33	33	43	
			24	43	43	43	54	43	43	43	54	43	43	43	54	
		550S162	16	33	33	33	33	33	33	33	33	33	33	33	33	33
			24	33	33	43	43	33	33	43	43	33	33	43	43	43
100 mph	85 mph	350S162	16	33	33	33	43	33	33	33	43	33	33	43	43	
			24	43	43	43	54	43	43	43	54	43	43	54	54	
		550S162	16	33	33	33	33	33	33	33	33	33	33	33	33	33
			24	33	33	43	43	33	33	43	43	33	33	43	43	43
110 mph	90 mph	350S162	16	33	33	33	43	33	33	33	43	43	43	43	43	
			24	43	43	43	54	43	43	43	54	54	54	54	54	
		550S162	16	33	33	33	33	33	33	33	33	33	33	33	33	33
			24	33	33	43	43	33	33	43	43	43	43	43	43	43
—	100 mph	350S162	16	33	33	33	43	33	33	43	43	43	43	43	43	
			24	43	43	43	54	54	54	54	54	54	54	54	68	
		550S162	16	33	33	33	33	33	33	33	33	33	33	33	33	33
			24	33	33	43	43	43	43	43	43	43	43	43	43	43
—	110 mph	350S162	16	33	33	43	43	43	43	43	43	43	43	43	54	
			24	43	43	54	54	54	54	54	54	68	68	68	68	
		550S162	16	33	33	33	33	33	33	33	33	33	33	33	33	33
			24	43	43	43	43	43	43	43	43	43	43	43	43	43

For SI: 1 inch = 25.4 mm, 1 foot = 304.8 mm, 1 mil = 0.0254 mm, 1 mile per hour = 0.447 m/s, 1 pound per square foot = 0.0479 kPa, 1 ksi = 1000 psi = 6.895 MPa.

a. Deflection criterion:  $L/240$ .

b. Design load assumptions:

Second floor dead load is 10 psf.

Second floor live load is 30 psf.

Roof/ceiling dead load is 12 psf.

Attic live load is 10 psf.

c. Building width is in the direction of horizontal framing members supported by the wall studs.

**TABLE R603.3.2(15)**  
**28-FOOT-WIDE BUILDING SUPPORTING ONE FLOOR, ROOF AND CEILING<sup>a,b,c</sup>**  
**50 ksi STEEL**



WIND SPEED		MEMBER SIZE	STUD SPACING (inches)	MINIMUM STUD THICKNESS (mils)												
				8-Foot Studs				9-Foot Studs				10-Foot Studs				
Exp. B	Exp. C			Ground Snow Load (psf)												
		20    30    50    70    20    30    50    70    20    30    50    70														
85 mph	—	350S162	16	33	33	33	33	33	33	33	33	33	33	33	33	
			24	33	33	43	43	33	33	43	43	43	43	43	43	54
		550S162	16	33	33	33	33	33	33	33	33	33	33	33	33	33
			24	33	33	33	43	33	33	33	43	33	33	33	33	43
90 mph	—	350S162	16	33	33	33	33	33	33	33	33	33	33	33	33	
			24	33	33	43	43	33	33	43	43	43	43	43	54	
		550S162	16	33	33	33	33	33	33	33	33	33	33	33	33	33
			24	33	33	33	43	33	33	33	43	33	33	33	33	43
100 mph	85 mph	350S162	16	33	33	33	33	33	33	33	33	33	33	33	43	
			24	33	33	43	43	33	33	43	43	43	43	43	54	
		550S162	16	33	33	33	33	33	33	33	33	33	33	33	33	33
			24	33	33	33	43	33	33	33	43	33	33	33	33	43
110 mph	90 mph	350S162	16	33	33	33	33	33	33	33	33	33	33	33	43	
			24	33	33	43	43	43	43	43	43	43	43	43	54	
		550S162	16	33	33	33	33	33	33	33	33	33	33	33	33	33
			24	33	33	33	43	33	33	33	43	33	33	33	33	43
—	100 mph	350S162	16	33	33	33	33	33	33	33	33	33	33	33	43	
			24	43	43	43	54	43	43	43	43	43	43	43	54	
		550S162	16	33	33	33	33	33	33	33	33	33	33	33	33	33
			24	33	33	33	43	33	33	33	43	33	33	33	33	43
—	110 mph	350S162	16	33	33	33	43	33	33	33	33	43	43	43	43	
			24	43	43	43	54	43	43	43	43	54	54	54	54	
		550S162	16	33	33	33	33	33	33	33	33	33	33	33	33	33
			24	33	33	33	43	33	33	33	43	33	33	33	33	43

For SI: 1 inch = 25.4 mm, 1 foot = 304.8 mm, 1 mil = 0.0254 mm, 1 mile per hour = 0.447 m/s, 1 pound per square foot = 0.0479kPa, 1 ksi = 1000 psi = 6.895 MPa.

- a. Deflection criterion:  $L/240$ .
- b. Design load assumptions:
  - Second floor dead load is 10 psf.
  - Second floor live load is 30 psf.
  - Roof/ceiling dead load is 12 psf.
  - Attic live load is 10 psf.
- c. Building width is in the direction of horizontal framing members supported by the wall studs.

**TABLE R603.3.2(16)**  
**32-FOOT-WIDE BUILDING SUPPORTING ONE FLOOR, ROOF AND CEILING<sup>a,b,c</sup>**  
**33 ksi STEEL**



WIND SPEED		MEMBER SIZE	STUD SPACING (inches)	MINIMUM STUD THICKNESS (mils)																							
				8-Foot Studs				9-Foot Studs				10-Foot Studs															
Exp. B	Exp. C			Ground Snow Load (psf)																							
		<table border="1"> <thead> <tr> <th>20</th> <th>30</th> <th>50</th> <th>70</th> <th>20</th> <th>30</th> <th>50</th> <th>70</th> <th>20</th> <th>30</th> <th>50</th> <th>70</th> </tr> </thead> </table>														20	30	50	70	20	30	50	70	20	30	50	70
20	30	50	70	20	30	50	70	20	30	50	70																
85 mph	—	350S162	16	33	33	33	43	33	33	33	43	33	33	43	43												
			24	43	43	43	54	43	43	43	54	43	43	54	54												
		550S162	16	33	33	33	43	33	33	33	33	33	33	33	33	43											
			24	33	43	43	54	33	33	43	43	33	33	43	43												
90 mph	—	350S162	16	33	33	33	43	33	33	33	43	33	33	43	43												
			24	43	43	43	54	43	43	43	54	43	43	54	54												
		550S162	16	33	33	33	43	33	33	33	33	33	33	33	33	43											
			24	33	43	43	54	33	33	43	43	33	33	43	43												
100 mph	85 mph	350S162	16	33	33	33	43	33	33	33	43	33	43	43	43												
			24	43	43	43	54	43	43	43	54	54	54	54	68												
		550S162	16	33	33	33	43	33	33	33	33	33	33	33	33	43											
			24	33	43	43	54	33	33	43	43	33	33	43	43												
110 mph	90 mph	350S162	16	33	33	43	43	33	33	33	43	43	43	43	43												
			24	43	43	54	54	43	43	54	54	54	54	54	68												
		550S162	16	33	33	33	43	33	33	33	33	33	33	33	33	43											
			24	33	43	43	54	33	33	43	43	43	43	43	43	54											
—	100 mph	350S162	16	33	33	43	43	43	43	43	43	43	43	43	43												
			24	43	43	54	54	54	54	54	54	54	54	54	54												
		550S162	16	33	33	33	43	33	33	33	33	33	33	33	33	43											
			24	33	43	43	54	43	43	43	43	43	43	43	43	54											
—	110 mph	350S162	16	43	43	43	43	43	43	43	43	43	43	43	54	54											
			24	54	54	54	68	54	54	54	68	68	68	68	68												
		550S162	16	33	33	33	43	33	33	33	33	43	33	33	33	43											
			24	43	43	43	54	43	43	43	43	43	43	43	43	54											

For SI: 1 inch = 25.4 mm, 1 foot = 304.8 mm, 1 mil = 0.0254 mm, 1 mile per hour = 0.447 m/s, 1 pound per square foot = 0.0479kPa, 1 ksi = 1000 psi = 6.895 MPa.

- a. Deflection criterion:  $L/240$ .
- b. Design load assumptions:
  - Second floor dead load is 10 psf.
  - Second floor live load is 30 psf.
  - Roof/ceiling dead load is 12 psf.
  - Attic live load is 10 psf.
- c. Building width is in the direction of horizontal framing members supported by the wall studs.

TABLE R603.3.2(17)  
32-FOOT-WIDE BUILDING SUPPORTING ONE FLOOR, ROOF AND CEILING<sup>a,b,c</sup>  
50 ksi STEEL



WIND SPEED		MEMBER SIZE	STUD SPACING (inches)	MINIMUM STUD THICKNESS (mils)												
				8-Foot Studs				9-Foot Studs				10-Foot Studs				
Exp. B	Exp. C			Ground Snow Load (psf)												
		20    30    50    70    20    30    50    70    20    30    50    70														
85 mph	—	350S162	16	33	33	33	43	33	33	33	33	33	33	33	43	
			24	33	33	43	54	33	33	43	43	43	43	43	54	
		550S162	16	33	33	33	33	33	33	33	33	33	33	33	33	33
			24	33	33	43	43	33	33	33	43	33	33	33	33	43
90 mph	—	350S162	16	33	33	33	43	33	33	33	33	33	33	33	43	
			24	33	33	43	54	33	33	43	43	43	43	54		
		550S162	16	33	33	33	33	33	33	33	33	33	33	33	33	33
			24	33	33	43	43	33	33	33	43	33	33	33	33	43
100 mph	85 mph	350S162	16	33	33	33	43	33	33	33	33	33	33	33	43	
			24	33	33	43	54	33	33	43	43	43	43	54		
		550S162	16	33	33	33	33	33	33	33	33	33	33	33	33	33
			24	33	33	43	43	33	33	33	43	33	33	33	33	43
110 mph	90 mph	350S162	16	33	33	33	43	33	33	33	33	33	33	33	43	
			24	43	43	43	54	43	43	43	54	43	43	54	54	
		550S162	16	33	33	33	33	33	33	33	33	33	33	33	33	33
			24	33	33	43	43	33	33	33	43	33	33	33	33	43
—	100 mph	350S162	16	33	33	33	43	33	33	33	43	33	33	43	43	
			24	43	43	43	54	43	43	43	54	54	54	54	54	
		550S162	16	33	33	33	33	33	33	33	33	33	33	33	33	33
			24	33	33	43	43	33	33	33	43	33	33	33	43	43
—	110 mph	350S162	16	33	33	33	43	33	33	33	43	43	43	43	43	
			24	43	43	43	54	43	43	43	54	54	54	54	54	
		550S162	16	33	33	33	33	33	33	33	33	33	33	33	33	33
			24	33	33	43	43	33	33	33	43	33	33	33	43	43

For SI: 1 inch = 25.4 mm, 1 foot = 304.8 mm, 1 mil = 0.0254 mm, 1 mile per hour = 0.447 m/s, 1 pound per square foot = 0.0479 kPa, 1 ksi = 1000 psi = 6.895 MPa.

- a. Deflection criterion:  $L/240$ .
- b. Design load assumptions:
  - Second floor dead load is 10 psf.
  - Second floor live load is 30 psf.
  - Roof/ceiling dead load is 12 psf.
  - Attic live load is 10 psf.
- c. Building width is in the direction of horizontal framing members supported by the wall studs.



**TABLE R603.3.2(18)**  
**36-FOOT-WIDE BUILDING SUPPORTING ONE FLOOR, ROOF AND CEILING<sup>a,b,c</sup>**  
**33 ksi STEEL**



WIND SPEED		MEMBER SIZE	STUD SPACING (inches)	MINIMUM STUD THICKNESS (mils)																							
				8-Foot Studs				9-Foot Studs				10-Foot Studs															
Exp. B	Exp. C			Ground Snow Load (psf)																							
		<table border="1"> <thead> <tr> <th>20</th> <th>30</th> <th>50</th> <th>70</th> <th>20</th> <th>30</th> <th>50</th> <th>70</th> <th>20</th> <th>30</th> <th>50</th> <th>70</th> </tr> </thead> </table>														20	30	50	70	20	30	50	70	20	30	50	70
20	30	50	70	20	30	50	70	20	30	50	70																
85 mph	—	350S162	16	33	33	43	43	33	33	43	43	33	33	43	43												
			24	43	43	54	54	43	43	54	54	54	54	54	68												
		550S162	16	33	33	33	43	33	33	33	43	33	33	33	33	43											
			24	43	43	43	54	43	43	43	54	43	43	43	43	54											
90 mph	—	350S162	16	33	33	43	43	33	33	43	43	33	33	43	43												
			24	43	43	54	54	43	43	54	54	54	54	54	68												
		550S162	16	33	33	33	43	33	33	33	43	33	33	33	33	43											
			24	43	43	43	54	43	43	43	54	43	43	43	43	54											
100 mph	85 mph	350S162	16	33	33	43	43	33	33	43	43	43	43	43	43												
			24	43	43	54	68	43	43	54	54	54	54	54	68												
		550S162	16	33	33	33	43	33	33	33	43	33	33	33	33	43											
			24	43	43	43	54	43	43	43	54	43	43	43	43	54											
110 mph	90 mph	350S162	16	33	33	43	43	33	33	43	43	43	43	43	43	54											
			24	43	43	54	68	54	54	54	54	54	54	54	68												
		550S162	16	33	33	33	43	33	33	33	43	33	33	33	33	43											
			24	43	43	43	54	43	43	43	54	43	43	43	43	54											
—	100 mph	350S162	16	33	33	43	43	43	43	43	43	43	43	43	54												
			24	54	54	54	68	54	54	54	68	54	68	68	68												
		550S162	16	33	33	33	43	33	33	33	43	33	33	33	33	43											
			24	43	43	43	54	43	43	43	54	43	43	43	43	54											
—	110 mph	350S162	16	43	43	43	43	43	43	43	43	43	54	54	54												
			24	54	54	54	68	54	54	54	68	68	68	68	68												
		550S162	16	33	33	33	43	33	33	33	43	33	33	33	33	43											
			24	43	43	43	54	43	43	43	54	43	43	43	43	54											

For SI: 1 inch = 25.4 mm, 1 foot = 304.8 mm, 1 mil = 0.0254 mm, 1 mile per hour = 0.447 m/s, 1 pound per square foot = 0.0479kPa, 1 ksi = 1000 psi = 6.895 MPa.

- a. Deflection criterion:  $L/240$ .
- b. Design load assumptions:
  - Second floor dead load is 10 psf.
  - Second floor live load is 30 psf.
  - Roof/ceiling dead load is 12 psf.
  - Attic live load is 10 psf.
- c. Building width is in the direction of horizontal framing members supported by the wall studs.

**TABLE R603.3.2(19)**  
**36-FOOT-WIDE BUILDING SUPPORTING ONE FLOOR, ROOF AND CEILING<sup>a,b,c</sup>**  
**50 ksi STEEL**



WIND SPEED		MEMBER SIZE	STUD SPACING (inches)	MINIMUM STUD THICKNESS (mils)												
				8-Foot Studs				9-Foot Studs				10-Foot Studs				
Exp. B	Exp. C			Ground Snow Load (psf)												
		20    30    50    70    20    30    50    70    20    30    50    70														
85 mph	—	350S162	16	33	33	33	43	33	33	33	43	33	33	33	43	
			24	43	43	43	54	33	33	43	54	43	43	43	54	
		550S162	16	33	33	33	33	33	33	33	33	33	33	33	33	33
			24	33	33	43	43	33	33	43	43	33	33	43	43	43
90 mph	—	350S162	16	33	33	33	43	33	33	33	43	33	33	33	43	
			24	43	43	43	54	33	33	43	54	43	43	43	54	
		550S162	16	33	33	33	33	33	33	33	33	33	33	33	33	33
			24	33	33	43	43	33	33	43	43	33	33	43	43	43
100 mph	85 mph	350S162	16	33	33	33	43	33	33	33	43	33	33	33	43	
			24	43	43	43	54	43	43	43	54	43	43	54	54	
		550S162	16	33	33	33	33	33	33	33	33	33	33	33	33	33
			24	33	33	43	43	33	33	43	43	33	33	43	43	43
110 mph	90 mph	350S162	16	33	33	33	43	33	33	33	43	33	33	43	43	
			24	43	43	43	54	43	43	43	54	43	43	54	54	
		550S162	16	33	33	33	33	33	33	33	33	33	33	33	33	33
			24	33	33	43	43	33	33	43	43	33	33	43	43	43
—	100 mph	350S162	16	33	33	33	43	33	33	33	43	43	43	43	43	
			24	43	43	43	54	43	43	43	54	54	54	54	68	
		550S162	16	33	33	33	33	33	33	33	33	33	33	33	33	33
			24	33	33	43	43	33	33	43	43	33	33	43	43	43
—	110 mph	350S162	16	33	33	43	43	33	33	33	43	43	43	43	43	
			24	43	43	54	54	43	43	54	54	54	54	54	68	
		550S162	16	33	33	33	33	33	33	33	33	33	33	33	33	33
			24	33	33	43	43	33	33	43	43	43	43	43	43	43

For SI: 1 inch = 25.4 mm, 1 foot = 304.8 mm, 1 mil = 0.0254 mm, 1 mile per hour = 0.447 m/s, 1 pound per square foot = 0.0479kPa, 1 ksi = 1000 psi = 6.895 MPa.

- a. Deflection criterion:  $L/240$ .
- b. Design load assumptions:
  - Second floor dead load is 10 psf.
  - Second floor live load is 30 psf.
  - Roof/ceiling dead load is 12 psf.
  - Attic live load is 10 psf.
- c. Building width is in the direction of horizontal framing members supported by the wall studs.

**TABLE R603.3.2(20)**  
**40-FOOT-WIDE BUILDING SUPPORTING ONE FLOOR, ROOF AND CEILING<sup>a,b,c</sup>**  
**33 ksi STEEL**



WIND SPEED		MEMBER SIZE	STUD SPACING (inches)	MINIMUM STUD THICKNESS (mils)													
Exp. B	Exp. C			8-Foot Studs				9-Foot Studs				10-Foot Studs					
				Ground Snow Load (psf)													
				20	30	50	70	20	30	50	70	20	30	50	70		
85 mph	—	350S162	16	33	33	43	43	33	33	43	43	43	43	43	43	54	
			24	43	43	54	68	43	43	54	68	54	54	54	54	68	
		550S162	16	33	33	33	43	33	33	33	43	33	33	33	33	33	43
			24	43	43	54	54	43	43	43	54	43	43	43	43	43	54
90 mph	—	350S162	16	33	33	43	43	33	33	43	43	43	43	43	43	54	
			24	43	43	54	68	43	43	54	68	54	54	54	68		
		550S162	16	33	33	33	43	33	33	33	43	33	33	33	33	43	
			24	43	43	54	54	43	43	43	54	43	43	43	43	54	
100 mph	85 mph	350S162	16	33	33	43	43	33	33	43	43	43	43	43	43	54	
			24	43	43	54	68	43	43	54	68	54	54	54	68		
		550S162	16	33	33	33	43	33	33	33	43	33	33	33	33	43	
			24	43	43	54	54	43	43	43	54	43	43	43	43	54	
110 mph	90 mph	350S162	16	33	33	43	43	43	43	43	43	43	43	43	43	54	
			24	43	43	54	68	54	54	54	68	54	54	68	68		
		550S162	16	33	33	43	43	33	33	33	43	33	33	33	33	43	
			24	43	43	54	54	43	43	43	54	43	43	43	43	54	
—	100 mph	350S162	16	43	43	43	54	43	43	43	54	43	43	43	54	54	
			24	54	54	54	68	54	54	54	68	68	68	68	97		
		550S162	16	33	33	43	43	33	33	33	43	33	33	33	43	43	
			24	43	43	54	54	43	43	43	54	43	43	43	54	54	
—	110 mph	350S162	16	43	43	43	54	43	43	43	54	54	54	54	54		
			24	54	54	54	68	54	54	68	68	68	68	68	97		
		550S162	16	33	33	43	43	33	33	33	43	33	33	33	43	43	
			24	43	43	54	54	43	43	43	54	43	43	43	54	54	

For SI: 1 inch = 25.4 mm, 1 foot = 304.8 mm, 1 mil = 0.0254 mm, 1 mile per hour = 0.447 m/s, 1 pound per square foot = 0.0479 kPa,  
 1 ksi = 1000 psi = 6.895 MPa.

- a. Deflection criterion:  $L/240$ .
- b. Design load assumptions:
  - Second floor dead load is 10 psf.
  - Second floor live load is 30 psf.
  - Roof/ceiling dead load is 12 psf.
  - Attic live load is 10 psf.
- c. Building width is in the direction of horizontal framing members supported by the wall studs.

TABLE R603.3.2(21)  
40-FOOT-WIDE BUILDING SUPPORTING ONE FLOOR, ROOF AND CEILING<sup>a,b,c</sup>  
50 ksi STEEL



WIND SPEED		MEMBER SIZE	STUD SPACING (inches)	MINIMUM STUD THICKNESS (mils)												
				8-Foot Studs				9-Foot Studs				10-Foot Studs				
Exp. B	Exp. C			Ground Snow Load (psf)												
		20    30    50    70    20    30    50    70    20    30    50    70														
85 mph	—	350S162	16	33	33	33	43	33	33	33	43	33	33	43	43	
			24	43	43	43	54	43	43	43	54	43	43	54	54	
		550S162	16	33	33	33	43	33	33	33	33	33	33	33	33	33
			24	33	43	43	54	33	33	43	43	33	33	43	43	43
90 mph	—	350S162	16	33	33	33	43	33	33	33	43	33	33	43	43	
			24	43	43	43	54	43	43	43	54	43	43	54	54	
		550S162	16	33	33	33	43	33	33	33	33	33	33	33	33	33
			24	33	43	43	54	33	33	43	43	33	33	43	43	43
100 mph	85 mph	350S162	16	33	33	33	43	33	33	33	43	33	33	43	43	
			24	43	43	54	54	43	43	43	54	43	43	54	68	
		550S162	16	33	33	33	43	33	33	33	33	33	33	33	33	33
			24	33	43	43	54	33	33	43	43	33	33	43	43	43
110 mph	90 mph	350S162	16	33	33	43	43	33	33	33	43	33	33	43	43	
			24	43	43	54	54	43	43	43	54	54	54	54	68	
		550S162	16	33	33	33	43	33	33	33	33	33	33	33	33	43
			24	33	43	43	54	33	33	43	43	33	33	43	43	43
—	100 mph	350S162	16	33	33	43	43	33	33	33	43	43	43	43	43	
			24	43	43	54	54	43	43	54	54	54	54	54	68	
		550S162	16	33	33	33	43	33	33	33	33	33	33	33	33	43
			24	33	43	43	54	33	33	43	43	33	43	43	43	43
—	110 mph	350S162	16	33	33	43	43	33	33	43	43	43	43	43	54	
			24	43	43	54	68	54	54	54	54	54	54	54	68	
		550S162	16	33	33	33	43	33	33	33	33	33	33	33	33	43
			24	33	43	43	54	33	33	43	43	43	43	43	43	54

For SI: 1 inch = 25.4 mm, 1 foot = 304.8 mm, 1 mil = 0.0254 mm, 1 mile per hour = 0.447 m/s, 1 pound per square foot = 0.0479 kPa, 1 ksi = 1000 psi = 6.895 MPa.

- a. Deflection criterion:  $L/240$ .
- b. Design load assumptions:
  - Second floor dead load is 10 psf.
  - Second floor live load is 30 psf.
  - Roof/ceiling dead load is 12 psf.
  - Attic live load is 10 psf.
- c. Building width is in the direction of horizontal framing members supported by the wall studs.

TABLE R603.3.2(22)  
24-FOOT-WIDE BUILDING SUPPORTING TWO FLOORS, ROOF AND CEILING<sup>a,b,c</sup>  
33 ksi STEEL



WIND SPEED		MEMBER SIZE	STUD SPACING (inches)	MINIMUM STUD THICKNESS (mils)													
Exp. B	Exp. C			8-Foot Studs				9-Foot Studs				10-Foot Studs					
				Ground Snow Load (psf)													
				20	30	50	70	20	30	50	70	20	30	50	70		
85 mph	—	350S162	16	43	43	43	43	33	33	33	43	43	43	43	43	43	
			24	54	54	54	54	43	43	54	54	54	54	54	54	54	
		550S162	16	33	33	43	43	33	33	33	33	33	33	33	33	33	43
			24	43	43	54	54	43	43	43	43	43	43	43	43	43	54
90 mph	—	350S162	16	43	43	43	43	33	33	33	43	43	43	43	43	43	
			24	54	54	54	54	43	43	54	54	54	54	54	54		
		550S162	16	33	33	43	43	33	33	33	33	33	33	33	33	33	43
			24	43	43	54	54	43	43	43	43	43	43	43	43	43	54
100 mph	85 mph	350S162	16	43	43	43	43	33	33	33	43	43	43	43	43	43	
			24	54	54	54	54	54	54	54	54	54	54	54	54	68	
		550S162	16	33	33	43	43	33	33	33	33	33	33	33	33	33	43
			24	43	43	54	54	43	43	43	43	43	43	43	43	43	54
110 mph	90 mph	350S162	16	43	43	43	43	43	43	43	43	43	43	43	43	43	
			24	54	54	54	54	54	54	54	54	54	54	54	68	68	
		550S162	16	33	33	43	43	33	33	33	33	33	33	33	33	33	43
			24	43	43	54	54	43	43	43	43	43	43	43	43	43	54
—	100 mph	350S162	16	43	43	43	43	43	43	43	43	43	43	43	43	54	
			24	54	54	54	54	54	54	54	54	54	68	68	68	68	
		550S162	16	33	33	43	43	33	33	33	33	33	33	33	33	33	43
			24	43	43	54	54	43	43	43	43	43	43	43	43	43	54
—	110 mph	350S162	16	43	43	43	43	43	43	43	43	43	54	54	54	54	
			24	54	54	54	68	54	54	68	68	68	68	68	68	97	
		550S162	16	33	33	43	43	33	33	33	33	33	33	33	33	33	43
			24	43	43	54	54	43	43	43	43	43	43	43	43	43	54

For SI: 1 inch = 25.4 mm, 1 foot = 304.8 mm, 1 mil = 0.0254 mm, 1 mile per hour = 0.447 m/s, 1 pound per square foot = 0.0479kPa, 1 ksi = 1000 psi = 6.895 MPa.

- a. Deflection criterion:  $L/240$ .
- b. Design load assumptions:
  - Top and middle floor dead load is 10 psf.
  - Top floor live load is 30 psf.
  - Middle floor live load is 40 psf.
  - Roof/ceiling dead load is 12 psf.
  - Attic live load is 10 psf.
- c. Building width is in the direction of horizontal framing members supported by the wall studs.

**TABLE R603.3.2(23)**  
**24-FOOT-WIDE BUILDING SUPPORTING TWO FLOORS, ROOF AND CEILING<sup>a,b,c</sup>**  
**50 ksi STEEL**



WIND SPEED		MEMBER SIZE	STUD SPACING (inches)	MINIMUM STUD THICKNESS (mils)													
				8-Foot Studs				9-Foot Studs				10-Foot Studs					
Exp. B	Exp. C			Ground Snow Load (psf)													
				20	30	50	70	20	30	50	70	20	30	50	70		
85 mph	—	350S162	16	33	33	33	43	33	33	33	33	33	33	33	33	33	
			24	43	43	54	54	43	43	43	43	43	43	43	43	43	54
		550S162	16	33	33	33	33	33	33	33	33	33	33	33	33	33	33
			24	43	43	43	43	43	43	43	43	43	43	43	43	43	43
90 mph	—	350S162	16	33	33	33	43	33	33	33	33	33	33	33	33	33	
			24	43	43	54	54	43	43	43	43	43	43	43	43	54	
		550S162	16	33	33	33	33	33	33	33	33	33	33	33	33	33	33
			24	43	43	43	43	43	43	43	43	43	43	43	43	43	43
100 mph	85 mph	350S162	16	33	33	33	43	33	33	33	33	33	33	33	33	33	
			24	43	43	54	54	43	43	43	43	43	43	43	54	54	
		550S162	16	33	33	33	33	33	33	33	33	33	33	33	33	33	33
			24	43	43	43	43	43	43	43	43	43	43	43	43	43	43
110 mph	90 mph	350S162	16	33	33	33	43	33	33	33	33	33	33	33	43	43	
			24	43	43	54	54	43	43	43	43	54	54	54	54		
		550S162	16	33	33	33	33	33	33	33	33	33	33	33	33	33	33
			24	43	43	43	43	43	43	43	43	43	43	43	43	43	43
—	100 mph	350S162	16	33	33	33	43	33	33	33	33	43	43	43	43	43	
			24	43	43	54	54	43	43	54	54	54	54	54	54		
		550S162	16	33	33	33	33	33	33	33	33	33	33	33	33	33	
			24	43	43	43	43	43	43	43	43	43	43	43	43	43	
—	110 mph	350S162	16	33	33	33	43	33	33	33	43	43	43	43	43		
			24	54	54	54	54	54	54	54	54	54	54	54	68		
		550S162	16	33	33	33	33	33	33	33	33	33	33	33	33	33	
			24	43	43	43	43	43	43	43	43	43	43	43	43	43	

For SI: 1 inch = 25.4 mm, 1 foot = 304.8 mm, 1 mil = 0.0254 mm, 1 mile per hour = 0.447 m/s, 1 pound per square foot = 0.0479kPa, 1 ksi = 1000 psi = 6.895 MPa.

- a. Deflection criterion:  $L/240$ .
- b. Design load assumptions:
  - Top and middle floor dead load is 10 psf.
  - Top floor live load is 30 psf.
  - Middle floor live load is 40 psf.
  - Attic live load is 10 psf.
- c. Building width is in the direction of horizontal framing members supported by the wall studs.

**TABLE R603.3.2(24)**  
**28-FOOT-WIDE BUILDING SUPPORTING TWO FLOORS, ROOF AND CEILING<sup>a,b,c</sup>**  
**33 ksi STEEL**



WIND SPEED		MEMBER SIZE	STUD SPACING (inches)	MINIMUM STUD THICKNESS (mils)																											
				8-Foot Studs				9-Foot Studs				10-Foot Studs																			
Exp. B	Exp. C			Ground Snow Load (psf)																											
		<table border="1"> <thead> <tr> <th>20</th><th>30</th><th>50</th><th>70</th><th>20</th><th>30</th><th>50</th><th>70</th><th>20</th><th>30</th><th>50</th><th>70</th><th>20</th><th>30</th><th>50</th><th>70</th> </tr> </thead> </table>														20	30	50	70	20	30	50	70	20	30	50	70	20	30	50	70
20	30	50	70	20	30	50	70	20	30	50	70	20	30	50	70																
85 mph	—	350S162	16	43	43	43	43	43	43	43	43	43	43	43	43	43															
			24	54	54	54	68	54	54	54	54	54	54	54	54	68															
		550S162	16	43	43	43	43	43	43	43	43	43	43	43	43	43															
			24	54	54	54	54	54	54	54	54	54	54	54	54	54															
90 mph	—	350S162	16	43	43	43	43	43	43	43	43	43	43	43	43	43															
			24	54	54	54	68	54	54	54	54	54	54	54	54	68															
		550S162	16	43	43	43	43	43	43	43	43	43	43	43	43	43															
			24	54	54	54	54	54	54	54	54	54	54	54	54	54															
100 mph	85 mph	350S162	16	43	43	43	43	43	43	43	43	43	43	43	43	43															
			24	54	54	54	68	54	54	54	54	54	54	54	68	68															
		550S162	16	43	43	43	43	43	43	43	43	43	43	43	43	43															
			24	54	54	54	54	54	54	54	54	54	54	54	54	54															
110 mph	90 mph	350S162	16	43	43	43	43	43	43	43	43	43	43	43	43	43															
			24	54	54	54	68	54	54	54	54	68	68	68	68	68															
		550S162	16	43	43	43	43	43	43	43	43	43	43	43	43	43															
			24	54	54	54	54	54	54	54	54	54	54	54	54	54															
—	100 mph	350S162	16	43	43	43	43	43	43	43	43	43	43	43	54	54															
			24	54	54	54	68	54	54	68	68	68	68	68	68	97															
		550S162	16	43	43	43	43	43	43	43	43	43	43	43	43	43															
			24	54	54	54	54	54	54	54	54	54	54	54	54	54															
—	110 mph	350S162	16	43	43	43	43	43	43	43	43	43	54	54	54	54															
			24	54	68	68	68	68	68	68	68	68	68	68	97	97															
		550S162	16	43	43	43	43	43	43	43	43	43	43	43	43	43															
			24	54	54	54	54	54	54	54	54	54	54	54	54	54															

For SI: 1 inch = 25.4 mm, 1 foot = 304.8 mm, 1 mil = 0.0254 mm, 1 mile per hour = 0.447 m/s, 1 pound per square foot = 0.0479kPa, 1 ksi = 1000 psi = 6.895 MPa.

a. Deflection criterion:  $L/240$ .

b. Design load assumptions:

Top and middle floor dead load is 10 psf.

Top floor live load is 30 psf.

Middle floor live load is 40 psf.

Roof/ceiling dead load is 12 psf.

Attic live load is 10 psf.

c. Building width is in the direction of horizontal framing members supported by the wall studs.



**TABLE R603.3.2(25)**  
**28-FOOT-WIDE BUILDING SUPPORTING TWO FLOORS, ROOF AND CEILING<sup>a,b,c</sup>**  
**50 ksi STEEL**



WIND SPEED		MEMBER SIZE	STUD SPACING (Inches)	MINIMUM STUD THICKNESS (mils)																											
				8-Foot Studs				9-Foot Studs				10-Foot Studs																			
Exp. B	Exp. C			Ground Snow Load (psf)																											
		<table border="1"> <thead> <tr> <th>20</th> <th>30</th> <th>50</th> <th>70</th> <th>20</th> <th>30</th> <th>50</th> <th>70</th> <th>20</th> <th>30</th> <th>50</th> <th>70</th> <th>20</th> <th>30</th> <th>50</th> <th>70</th> </tr> </thead> </table>														20	30	50	70	20	30	50	70	20	30	50	70	20	30	50	70
20	30	50	70	20	30	50	70	20	30	50	70	20	30	50	70																
85 mph	—	350S162	16	43	43	43	43	33	33	33	43	43	43	43	43	43															
			24	54	54	54	54	43	43	54	54	54	54	54	54	54															
		550S162	16	33	33	33	43	33	33	33	33	33	33	33	33	33	33														
			24	43	43	43	54	43	43	43	43	43	43	43	43	43	43														
90 mph	—	350S162	16	43	43	43	43	33	33	33	43	43	43	43	43	43															
			24	54	54	54	54	43	43	54	54	54	54	54	54																
		550S162	16	33	33	33	43	33	33	33	33	33	33	33	33	33															
			24	43	43	43	54	43	43	43	43	43	43	43	43	43															
100 mph	85 mph	350S162	16	43	43	43	43	33	33	33	43	43	43	43	43	43															
			24	54	54	54	54	43	43	54	54	54	54	54	54																
		550S162	16	33	33	33	43	33	33	33	33	33	33	33	33	33															
			24	43	43	43	54	43	43	43	43	43	43	43	43	43															
110 mph	90 mph	350S162	16	43	43	43	43	33	33	33	43	43	43	43	43	43															
			24	54	54	54	54	43	43	54	54	54	54	54	54																
		550S162	16	33	33	33	43	33	33	33	33	33	33	33	33	33															
			24	43	43	43	54	43	43	43	43	43	43	43	43	43															
—	100 mph	350S162	16	43	43	43	43	33	33	33	43	43	43	43	43	43															
			24	54	54	54	54	54	54	54	54	54	54	54	54	68															
		550S162	16	33	33	33	43	33	33	33	33	33	33	33	33	33															
			24	43	43	43	54	43	43	43	43	43	43	43	43	43															
—	110 mph	350S162	16	43	43	43	43	43	43	43	43	43	43	43	43	43															
			24	54	54	54	54	54	54	54	54	68	68	68	68																
		550S162	16	33	33	33	43	33	33	33	33	33	33	33	33	33															
			24	43	43	43	54	43	43	43	43	43	43	43	43	43															

For SI: 1 inch = 25.4 mm, 1 foot = 304.8 mm, 1 mil = 0.0254 mm, 1 mile per hour = 0.447 m/s, 1 pound per square foot = 0.0479 kPa, 1 ksi = 1000 psi = 6.895 MPa.

- a. Deflection criterion:  $L/240$ .
- b. Design load assumptions:
  - Top and middle floor dead load is 10 psf.
  - Top floor live load is 30 psf.
  - Middle floor live load is 40 psf.
  - Roof/ceiling dead load is 12 psf.
  - Attic live load is 10 psf.
- c. Building width is in the direction of horizontal framing members supported by the wall studs.

**TABLE R603.3.2(26)**  
**32-FOOT-WIDE BUILDING SUPPORTING TWO FLOORS, ROOF AND CEILING<sup>a,b,c</sup>**  
**33 ksi STEEL**



WIND SPEED		MEMBER SIZE	STUD SPACING (inches)	MINIMUM STUD THICKNESS (mils)													
Exp. B	Exp. C			8-Foot Studs				9-Foot Studs				10-Foot Studs					
				Ground Snow Load (psf)													
				20	30	50	70	20	30	50	70	20	30	50	70		
85 mph	—	350S162	16	43	43	43	54	43	43	43	43	43	43	43	43	54	
			24	68	68	68	68	54	54	68	68	68	68	68	68	68	68
		550S162	16	43	43	43	43	43	43	43	43	43	43	43	43	43	43
			24	54	54	54	68	54	54	54	54	54	54	54	54	54	54
90 mph	—	350S162	16	43	43	43	54	43	43	43	43	43	43	43	43	54	
			24	68	68	68	68	54	54	68	68	68	68	68	68	68	
		550S162	16	43	43	43	43	43	43	43	43	43	43	43	43	43	43
			24	54	54	54	68	54	54	54	54	54	54	54	54	54	54
100 mph	85 mph	350S162	16	43	43	43	54	43	43	43	43	43	43	43	43	54	
			24	68	68	68	68	54	54	68	68	68	68	68	68	68	
		550S162	16	43	43	43	43	43	43	43	43	43	43	43	43	43	43
			24	54	54	54	68	54	54	54	54	54	54	54	54	54	54
110 mph	90 mph	350S162	16	43	43	43	54	43	43	43	43	43	43	43	54	54	
			24	68	68	68	68	54	54	68	68	68	68	68	68	68	
		550S162	16	43	43	43	43	43	43	43	43	43	43	43	43	43	43
			24	54	54	54	68	54	54	54	54	54	54	54	54	54	54
—	100 mph	350S162	16	43	43	43	54	43	43	43	43	43	54	54	54	54	
			24	68	68	68	68	68	68	68	68	68	68	68	97	97	
		550S162	16	43	43	43	43	43	43	43	43	43	43	43	43	43	43
			24	54	54	54	68	54	54	54	54	54	54	54	54	54	54
—	110 mph	350S162	16	43	43	43	54	43	43	54	54	54	54	54	54	54	
			24	68	68	68	68	68	68	68	68	97	97	97	97	97	
		550S162	16	43	43	43	43	43	43	43	43	43	43	43	43	43	43
			24	54	54	54	68	54	54	54	54	54	54	54	54	54	54

For SI: 1 inch = 25.4 mm, 1 foot = 304.8 mm, 1 mil = 0.0254 mm, 1 mile per hour = 0.447 m/s, 1 pound per square foot = 0.0479 kPa, 1 ksi = 1000 psi = 6.895 MPa.

a. Deflection criterion:  $L/240$ .

b. Design load assumptions:

Top and middle floor dead load is 10 psf.

Top floor live load is 30 psf.

Middle floor live load is 40 psf.

Roof/ceiling dead load is 12 psf.

Attic live load is 10 psf.

c. Building width is in the direction of horizontal framing members supported by the wall studs.

**TABLE R603.3.2(27)**  
**32-FOOT-WIDE BUILDING SUPPORTING TWO FLOORS, ROOF AND CEILING<sup>a,b,c</sup>**  
**50 ksi STEEL**



WIND SPEED		MEMBER SIZE	STUD SPACING (inches)	MINIMUM STUD THICKNESS (mils)													
				8-Foot Studs				9-Foot Studs				10-Foot Studs					
Exp. B	Exp. C			Ground Snow Load (psf)													
				20	30	50	70	20	30	50	70	20	30	50	70		
85 mph	—	350S162	16	43	43	43	43	43	43	43	43	43	43	43	43	43	
			24	54	54	54	68	54	54	54	54	54	54	54	54	54	68
		550S162	16	43	43	43	43	33	33	33	43	33	33	43	33	43	43
			24	54	54	54	54	43	43	43	54	43	43	54	43	54	54
90 mph	—	350S162	16	43	43	43	43	43	43	43	43	43	43	43	43	43	
			24	54	54	54	68	54	54	54	54	54	54	54	54	68	
		550S162	16	43	43	43	43	33	33	33	43	33	33	43	33	43	43
			24	54	54	54	54	43	43	43	54	43	43	54	43	54	54
100 mph	85 mph	350S162	16	43	43	43	43	43	43	43	43	43	43	43	43	43	
			24	54	54	54	68	54	54	54	54	54	54	54	54	68	
		550S162	16	43	43	43	43	33	33	33	43	33	33	43	33	43	43
			24	54	54	54	54	43	43	43	54	43	43	54	43	54	54
110 mph	90 mph	350S162	16	43	43	43	43	43	43	43	43	43	43	43	43	43	
			24	54	54	54	68	54	54	54	54	54	54	54	54	68	
		550S162	16	43	43	43	43	33	33	33	43	33	33	43	33	43	43
			24	54	54	54	54	43	43	43	54	43	43	54	43	54	54
—	100 mph	350S162	16	43	43	43	43	43	43	43	43	43	43	43	43	43	
			24	54	54	54	68	54	54	54	54	68	68	68	68		
		550S162	16	43	43	43	43	33	33	33	43	33	33	43	33	43	43
			24	54	54	54	54	43	43	43	54	43	43	54	43	54	54
—	110 mph	350S162	16	43	43	43	43	43	43	43	43	43	43	43	43	54	
			24	54	54	54	68	54	54	54	54	68	68	68	68		
		550S162	16	43	43	43	43	33	33	33	43	33	33	43	33	43	43
			24	54	54	54	54	43	43	43	54	43	43	54	43	54	54

For SI: 1 inch = 25.4 mm, 1 foot = 304.8 mm, 1 mil = 0.0254 mm, 1 mile per hour = 0.447 m/s, 1 pound per square foot = 0.0479 kPa, 1 ksi = 1000 psi = 6.895 MPa.

- a. Deflection criterion:  $L/240$ .
- b. Design load assumptions:
  - Top and middle floor dead load is 10 psf.
  - Top floor live load is 30 psf.
  - Middle floor live load is 40 psf.
  - Roof/ceiling dead load is 12 psf.
  - Attic live load is 10 psf.
- c. Building width is in the direction of horizontal framing members supported by the wall studs.

**TABLE R603.3.2(28)**  
**36-FOOT-WIDE BUILDING SUPPORTING TWO FLOORS, ROOF AND CEILING<sup>a,b,c</sup>**  
**33 ksi STEEL**



WIND SPEED		MEMBER SIZE	STUD SPACING (inches)	MINIMUM STUD THICKNESS (mils)												
Exp. B	Exp. C			8-Foot Studs				9-Foot Studs				10-Foot Studs				
				Ground Snow Load (psf)												
				20	30	50	70	20	30	50	70	20	30	50	70	
85 mph	—	350S162	16	54	54	54	54	43	43	43	54	54	54	54	54	
			24	68	68	68	97	68	68	68	68	68	68	68	68	97
		550S162	16	43	43	43	54	43	43	43	43	43	43	43	43	43
			24	68	68	68	68	54	54	54	68	54	54	68	68	68
90 mph	—	350S162	16	54	54	54	54	43	43	43	54	54	54	54	54	
			24	68	68	68	97	68	68	68	68	68	68	68	97	
		550S162	16	43	43	43	54	43	43	43	43	43	43	43	43	
			24	68	68	68	68	54	54	54	68	54	54	68	68	
100 mph	85 mph	350S162	16	54	54	54	54	43	43	43	54	54	54	54	54	
			24	68	68	68	97	68	68	68	68	68	68	68	97	
		550S162	16	43	43	43	54	43	43	43	43	43	43	43	43	
			24	68	68	68	68	54	54	54	68	54	54	68	68	
110 mph	90 mph	350S162	16	54	54	54	54	43	43	43	54	54	54	54	54	
			24	68	68	68	97	68	68	68	68	68	68	97	97	
		550S162	16	43	43	43	54	43	43	43	43	43	43	43	43	
			24	68	68	68	68	54	54	54	68	54	54	68	68	
—	100 mph	350S162	16	54	54	54	54	43	43	54	54	54	54	54	54	
			24	68	68	68	97	68	68	68	68	97	97	97	97	
		550S162	16	43	43	43	54	43	43	43	43	43	43	43	43	
			24	68	68	68	68	54	54	54	68	54	54	68	68	
—	110 mph	350S162	16	54	54	54	54	54	54	54	54	54	54	54	68	
			24	68	68	68	97	68	68	68	97	97	97	97	97	
		550S162	16	43	43	43	54	43	43	43	43	43	43	43	43	
			24	68	68	68	68	54	54	54	68	54	54	68	68	

For SI: 1 inch = 25.4 mm, 1 foot = 304.8 mm, 1 mil = 0.0254 mm, 1 mile per hour = 0.447 m/s, 1 pound per square foot = 0.0479 kPa, 1 ksi = 1000 psi = 6.895 MPa.

- a. Deflection criterion:  $L/240$ .
- b. Design load assumptions:
  - Top and middle floor dead load is 10 psf.
  - Top floor live load is 30 psf.
  - Middle floor live load is 40 psf.
  - Roof/ceiling dead load is 12 psf.
  - Attic live load is 10 psf.
- c. Building width is in the direction of horizontal framing members supported by the wall studs.

TABLE R603.3.2(29)  
36-FOOT-WIDE BUILDING SUPPORTING TWO FLOORS, ROOF AND CEILING<sup>a,b,c</sup>  
50 ksi STEEL



WIND SPEED		MEMBER SIZE	STUD SPACING (inches)	MINIMUM STUD THICKNESS (mils)											
				8-Foot Studs				9-Foot Studs				10-Foot Studs			
Exp. B	Exp. C			Ground Snow Load (psf)											
		20    30    50    70    20    30    50    70    20    30    50    70													
85 mph	—	350S162	16	43	43	43	54	43	43	43	43	43	43	43	43
			24	68	68	68	68	54	54	54	68	68	68	68	68
		550S162	16	43	43	43	43	43	43	43	43	43	43	43	43
			24	54	54	54	54	54	54	54	54	54	54	54	54
90 mph	—	350S162	16	43	43	43	54	43	43	43	43	43	43	43	43
			24	68	68	68	68	54	54	54	68	68	68	68	
		550S162	16	43	43	43	43	43	43	43	43	43	43	43	43
			24	54	54	54	54	54	54	54	54	54	54	54	54
100 mph	85 mph	350S162	16	43	43	43	54	43	43	43	43	43	43	43	43
			24	68	68	68	68	54	54	54	68	68	68	68	
		550S162	16	43	43	43	43	43	43	43	43	43	43	43	43
			24	54	54	54	54	54	54	54	54	54	54	54	54
110 mph	90 mph	350S162	16	43	43	43	54	43	43	43	43	43	43	43	43
			24	68	68	68	68	54	54	54	68	68	68	68	
		550S162	16	43	43	43	43	43	43	43	43	43	43	43	43
			24	54	54	54	54	54	54	54	54	54	54	54	54
—	100 mph	350S162	16	43	43	43	54	43	43	43	43	43	43	43	54
			24	68	68	68	68	54	54	54	68	68	68	68	
		550S162	16	43	43	43	43	43	43	43	43	43	43	43	43
			24	54	54	54	54	54	54	54	54	54	54	54	54
—	110 mph	350S162	16	43	43	43	54	43	43	43	43	43	54	54	
			24	68	68	68	68	54	54	68	68	68	68		
		550S162	16	43	43	43	43	43	43	43	43	43	43	43	
			24	54	54	54	54	54	54	54	54	54	54	54	

For SI: 1 inch = 25.4 mm, 1 foot = 304.8 mm, 1 mil = 0.0254 mm, 1 mile per hour = 0.447 m/s, 1 pound per square foot = 0.0479kPa, 1 ksi = 1000 psi = 6.895 MPa.

- a. Deflection criterion:  $L/240$ .
- b. Design load assumptions:
  - Top and middle floor dead load is 10 psf.
  - Top floor live load is 30 psf.
  - Middle floor live load is 40 psf.
  - Roof/ceiling dead load is 12 psf.
  - Attic live load is 10 psf.
- c. Building width is in the direction of horizontal framing members supported by the wall studs.

TABLE R603.3.2(30)  
40-FOOT-WIDE BUILDING SUPPORTING TWO FLOORS, ROOF AND CEILING<sup>a,b,c</sup>  
33 ksi STEEL



WIND SPEED		MEMBER SIZE	STUD SPACING (inches)	MINIMUM STUD THICKNESS (mils)												
Exp. B	Exp. C			8-Foot Studs				9-Foot Studs				10-Foot Studs				
				Ground Snow Load (psf)												
				20	30	50	70	20	30	50	70	20	30	50	70	
85 mph	—	350S162	16	54	54	54	54	54	54	54	54	54	54	54	54	54
			24	97	97	97	97	68	68	68	97	97	97	97	97	97
		550S162	16	54	54	54	54	43	43	54	54	43	43	54	54	54
			24	68	68	68	68	68	68	68	68	68	68	68	68	68
90 mph	—	350S162	16	54	54	54	54	54	54	54	54	54	54	54	54	54
			24	97	97	97	97	68	68	68	97	97	97	97	97	
		550S162	16	54	54	54	54	43	43	54	54	43	43	54	54	
			24	68	68	68	68	68	68	68	68	68	68	68	68	
100 mph	85 mph	350S162	16	54	54	54	54	54	54	54	54	54	54	54	54	54
			24	97	97	97	97	68	68	68	97	97	97	97	97	
		550S162	16	54	54	54	54	43	43	54	54	43	43	54	54	
			24	68	68	68	68	68	68	68	68	68	68	68	68	
110 mph	90 mph	350S162	16	54	54	54	54	54	54	54	54	54	54	54	54	54
			24	97	97	97	97	68	68	68	97	97	97	97	97	
		550S162	16	54	54	54	54	43	43	54	54	43	43	54	54	
			24	68	68	68	68	68	68	68	68	68	68	68	68	
—	100 mph	350S162	16	54	54	54	54	54	54	54	54	54	54	54	54	54
			24	97	97	97	97	68	68	68	97	97	97	97	97	
		550S162	16	54	54	54	54	43	43	54	54	43	43	54	54	
			24	68	68	68	68	68	68	68	68	68	68	68	68	
—	110 mph	350S162	16	54	54	54	54	54	54	54	54	54	54	68	68	
			24	97	97	97	97	68	68	97	97	97	97	97	97	
		550S162	16	54	54	54	54	43	43	54	54	43	43	54	54	
			24	68	68	68	68	68	68	68	68	68	68	68	68	

For SI: 1 inch = 25.4 mm, 1 foot = 304.8 mm, 1 mil = 0.0254 mm, 1 mile per hour = 0.447 m/s, 1 pound per square foot = 0.0479kPa, 1 ksi = 1000 psi = 6.895 MPa.

a. Deflection criterion:  $L/240$ .

b. Design load assumptions:

Top and middle floor dead load is 10 psf.

Top floor live load is 30 psf.

Middle floor live load is 40 psf.

Roof/ceiling dead load is 12 psf.

Attic live load is 10 psf.

c. Building width is in the direction of horizontal framing members supported by the wall studs.

**TABLE R603.3.2(31)**  
**40-FOOT-WIDE BUILDING SUPPORTING TWO FLOORS, ROOF AND CEILING<sup>a,b,c</sup>**  
**50 ksi STEEL**



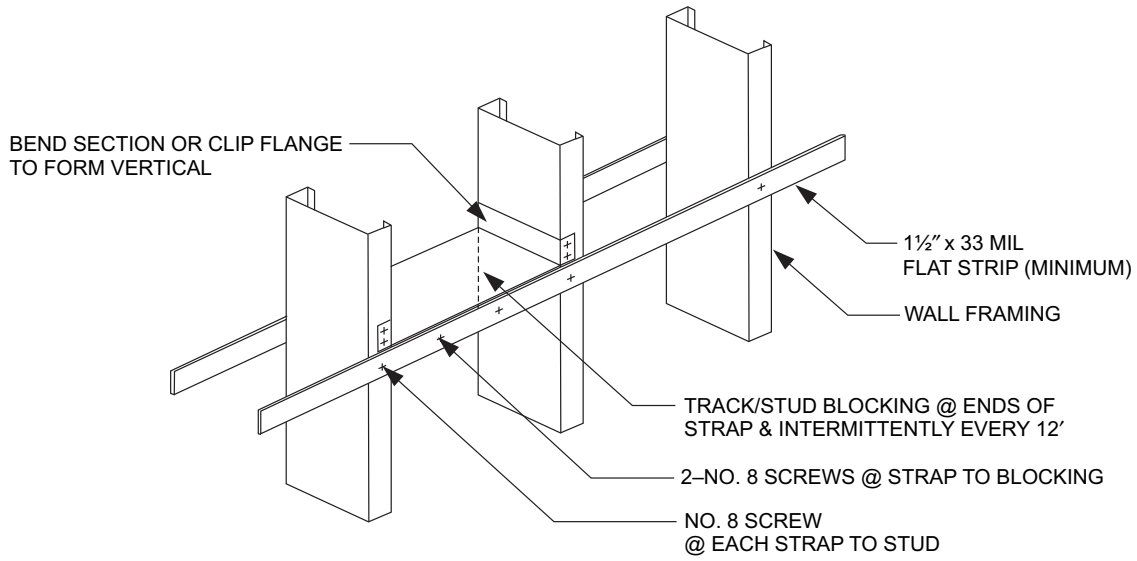
WIND SPEED		MEMBER SIZE	STUD SPACING (Inches)	MINIMUM STUD THICKNESS (mils)												
				8-Foot Studs				9-Foot Studs				10-Foot Studs				
Exp. B	Exp. C			Ground Snow Load (psf)												
				20	30	50	70	20	30	50	70	20	30	50	70	
85 mph	—	350S162	16	54	54	54	54	43	43	43	43	43	54	54	54	
			24	68	68	68	68	68	68	68	68	68	68	68	68	68
		550S162	16	43	43	43	43	43	43	43	43	43	43	43	43	43
			24	54	54	54	68	54	54	54	54	54	54	54	54	54
90 mph	—	350S162	16	54	54	54	54	43	43	43	43	43	54	54	54	
			24	68	68	68	68	68	68	68	68	68	68	68	68	
		550S162	16	43	43	43	43	43	43	43	43	43	43	43	43	43
			24	54	54	54	68	54	54	54	54	54	54	54	54	54
100 mph	85 mph	350S162	16	54	54	54	54	43	43	43	43	43	54	54	54	
			24	68	68	68	68	68	68	68	68	68	68	68	68	
		550S162	16	43	43	43	43	43	43	43	43	43	43	43	43	43
			24	54	54	54	68	54	54	54	54	54	54	54	54	54
110 mph	90 mph	350S162	16	54	54	54	54	43	43	43	43	43	54	54	54	
			24	68	68	68	68	68	68	68	68	68	68	68	68	
		550S162	16	43	43	43	43	43	43	43	43	43	43	43	43	43
			24	54	54	54	68	54	54	54	54	54	54	54	54	54
—	100 mph	350S162	16	54	54	54	54	43	43	43	43	43	54	54	54	
			24	68	68	68	68	68	68	68	68	68	68	68	68	
		550S162	16	43	43	43	43	43	43	43	43	43	43	43	43	43
			24	54	54	54	68	54	54	54	54	54	54	54	54	54
—	110 mph	350S162	16	54	54	54	54	43	43	43	43	54	54	54	54	
			24	68	68	68	68	68	68	68	68	68	68	68	97	
		550S162	16	43	43	43	43	43	43	43	43	43	43	43	43	43
			24	54	54	54	68	54	54	54	54	54	54	54	54	54

For SI: 1 inch = 25.4 mm, 1 foot = 304.8 mm, 1 mil = 0.0254 mm, 1 mile per hour = 0.447 m/s, 1 pound per square foot = 0.0479kPa, 1 ksi = 1000 psi = 6.895 MPa.

- a. Deflection criterion:  $L/240$ .
- b. Design load assumptions:
  - Top and middle floor dead load is 10 psf.
  - Top floor live load is 30 psf.
  - Middle floor live load is 40 psf.
  - Roof/ceiling dead load is 12 psf.
  - Attic live load is 10 psf.
- c. Building width is in the direction of horizontal framing members supported by the wall studs.

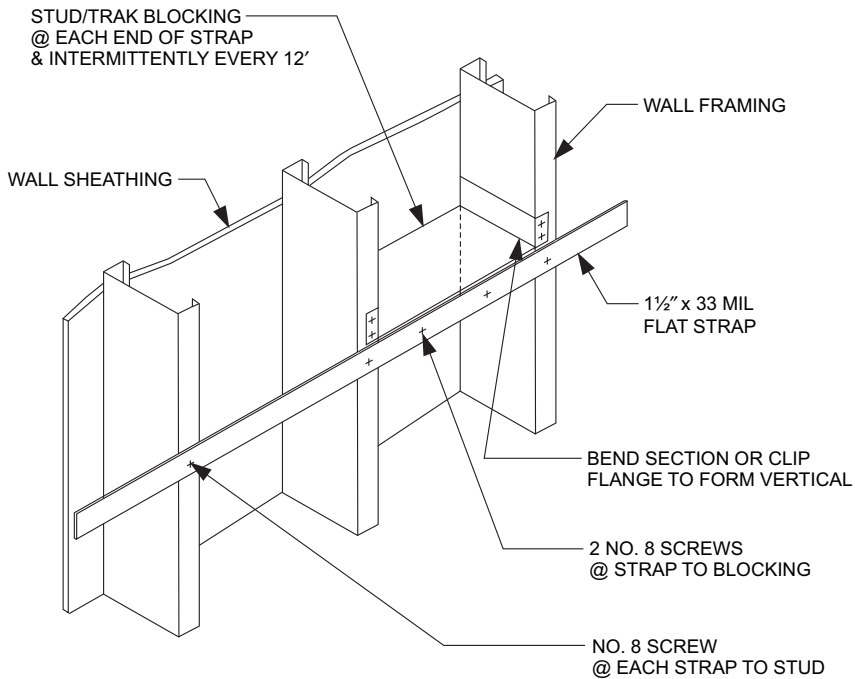


**WALL CONSTRUCTION**



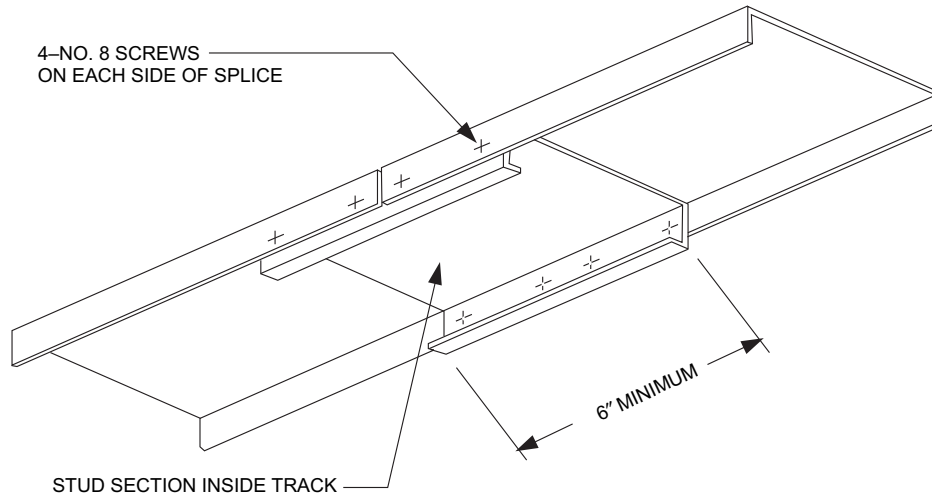
For SI: 1 mil = 0.0254 mm, 1 inch = 25.4 mm.

**FIGURE R603.3.3(1)  
STUD BRACING WITH STRAPPING ONLY**



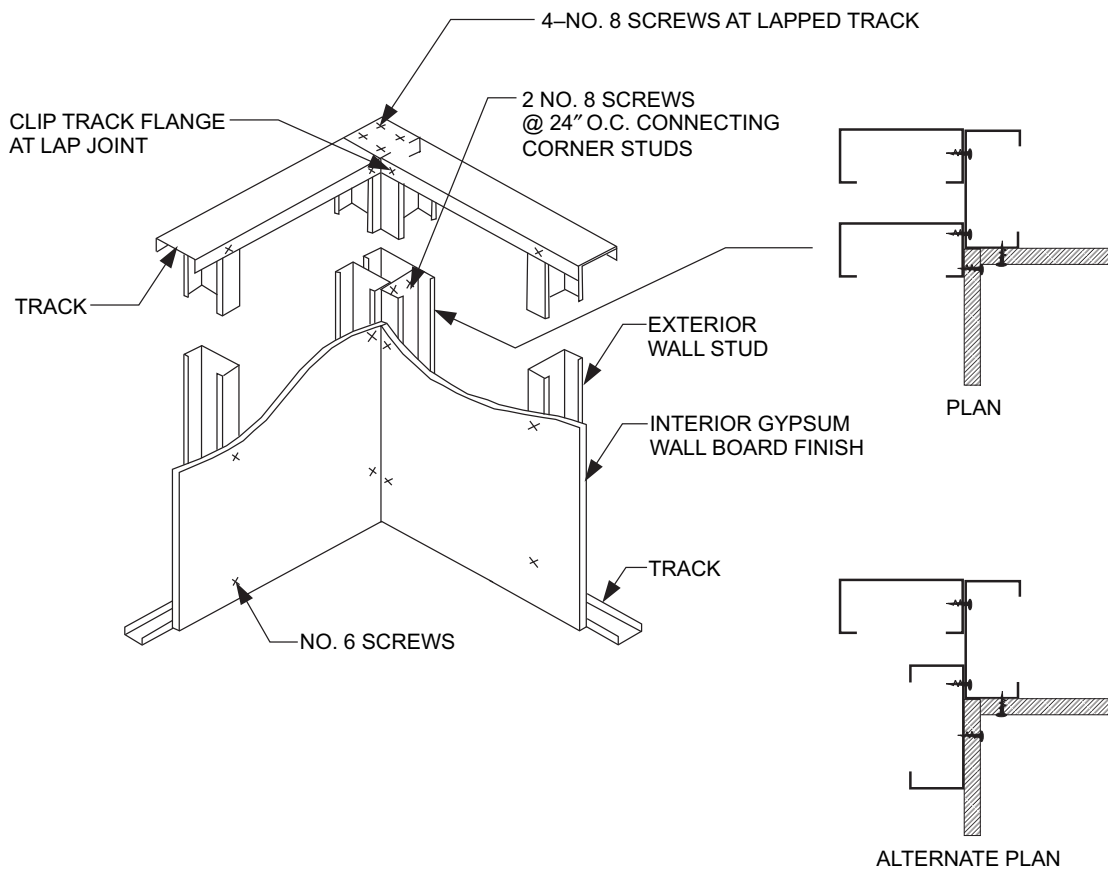
For SI: 1 mil = 0.0254 mm, 1 inch = 25.4 mm.

**FIGURE R603.3.3(2)  
STUD BRACING WITH STRAPPING AND SHEATHING MATERIAL**



For SI: 1 inch = 25.4 mm.

**FIGURE R603.3.5  
TRACK SPLICE**



For SI: 1 inch = 25.4 mm.

**FIGURE R603.4  
CORNER FRAMING**

**WALL CONSTRUCTION**

**TABLE R603.3.2.1(1)  
ALL BUILDING WIDTHS  
GABLE ENDWALLS 8, 9 OR 10 FEET IN HEIGHT<sup>a,b,c</sup>  
33 ksi STEEL**

WIND SPEED		MEMBER SIZE	STUD SPACING (inches)	MINIMUM STUD THICKNESS (Mils)		
Exp. B	Exp. C			8-foot studs	9-foot studs	10-foot studs
85 mph	—	350S162	16	33	33	33
			24	33	33	33
		550S162	16	33	33	33
			24	33	33	33
90 mph	—	350S162	16	33	33	33
			24	33	33	33
		550S162	16	33	33	33
			24	33	33	33
100 mph	85 mph	350S162	16	33	33	33
			24	33	33	43
		550S162	16	33	33	33
			24	33	33	33
110 mph	90 mph	350S162	16	33	33	33
			24	33	33	43
		550S162	16	33	33	33
			24	33	33	33
—	100 mph	350S162	16	33	33	43
			24	43	43	54
		550S162	16	33	33	33
			24	33	33	33
—	110 mph	350S162	16	33	43	43
			24	43	54	54
		550S162	16	33	33	33
			24	33	33	43

For SI: 1 inch = 25.4, 1 foot = 304.8 mm, 1 mil = 0.0254 mm, 1 mile per hour = 0.447 m/s, 1 pound per square foot = 0.0479kPa, 1 ksi = 6.895 MPa.

a. Deflection criterion  $L/240$ .

b. Design load assumptions:

- Ground snow load is 70 psf.
- Roof and ceiling dead load is 12 psf.
- Floor dead load is 10 psf.
- Floor live load is 40 psf.
- Attic dead load is 10 psf.

c. Building width is in the direction of horizontal framing members supported by the wall studs.

**TABLE R603.3.2.1(2)**  
**ALL BUILDING WIDTHS**  
**GABLE ENDWALLS 8, 9 OR 10 FEET IN HEIGHT<sup>a,b,c</sup>**  
**50 ksi STEEL**

WIND SPEED		MEMBER SIZE	STUD SPACING (inches)	MINIMUM STUD THICKNESS (Mils)		
Exp. B	Exp. C			8-foot studs	9-foot studs	10-foot studs
85 mph	—	350S162	16	33	33	33
			24	33	33	33
		550S162	16	33	33	33
			24	33	33	33
90 mph	—	350S162	16	33	33	33
			24	33	33	33
		550S162	16	33	33	33
			24	33	33	33
100 mph	85 mph	350S162	16	33	33	33
			24	33	33	33
		550S162	16	33	33	33
			24	33	33	33
110 mph	90 mph	350S162	16	33	33	33
			24	33	33	43
		550S162	16	33	33	33
			24	33	33	33
—	100 mph	350S162	16	33	33	33
			24	33	33	43
		550S162	16	33	33	33
			24	33	33	33
—	110 mph	350S162	16	33	33	33
			24	33	43	54
		550S162	16	33	33	33
			24	33	33	33

For SI: 1 inch = 25.4, 1 foot = 304.8 mm, 1 mil = 0.0254 mm, 1 mile per hour = 0.447 m/s, 1 pound per square foot = 0.0479kPa, 1 ksi = 6.895 MPa.

a. Deflection criterion  $L/240$ .

b. Design load assumptions:

Ground snow load is 70 psf.

Roof and ceiling dead load is 12 psf.

Floor dead load is 10 psf.

Floor live load is 40 psf.

Attic dead load is 10 psf.

c. Building width is in the direction of horizontal framing members supported by the wall studs.

**TABLE R603.3.2.1(3)**  
**ALL BUILDING WIDTHS**  
**GABLE ENDWALLS OVER 10 FEET IN HEIGHT<sup>a,b,c</sup>**  
**33 ksi STEEL**

WIND SPEED		MEMBER SIZE	STUD SPACING (inches)	MINIMUM STUD THICKNESS (Mils)					
Exp. B	Exp. C			Stud Height, h (feet)					
				10 < h ≤ 12	12 < h ≤ 14	14 < h ≤ 16	16 < h ≤ 18	18 < h ≤ 20	20 < h ≤ 22
85 mph	—	350S162	16	33	43	54	97	—	—
			24	43	54	97	—	—	—
		550S162	16	33	33	33	43	43	54
			24	33	33	43	54	68	97
90 mph	—	350S162	16	33	43	68	97	—	—
			24	43	68	97	—	—	—
		550S162	16	33	33	33	43	54	54
			24	33	33	43	54	68	97
100 mph	85 mph	350S162	16	43	54	97	—	—	—
			24	54	97	—	—	—	—
		550S162	16	33	33	43	54	54	68
			24	33	43	54	68	97	97
110 mph	90 mph	350S162	16	43	68	—	—	—	—
			24	68	—	—	—	—	—
		550S162	16	33	43	43	54	68	97
			24	43	54	68	97	97	—
—	100 mph	350S162	16	54	97	—	—	—	—
			24	97	—	—	—	—	—
		550S162	16	33	43	54	68	97	—
			24	43	68	97	97	—	—
—	110 mph	350S162	16	68	97	—	—	—	—
			24	97	—	—	—	—	—
		550S162	16	43	54	68	97	97	—
			24	54	68	97	—	—	—

For SI: 1 inch = 25.4, 1 foot = 304.8 mm, 1 mil = 0.0254 mm, 1 mile per hour = 0.447 m/s, 1 pound per square foot = 0.0479kPa, 1 ksi = 6.895 MPa.

a. Deflection criterion  $L/240$ .

b. Design load assumptions:

- Ground snow load is 70 psf.
- Roof and ceiling dead load is 12 psf.
- Floor dead load is 10 psf.
- Floor live load is 40 psf.
- Attic dead load is 10 psf.

c. Building width is in the direction of horizontal framing members supported by the wall studs.

**TABLE R603.3.2.1(4)**  
**ALL BUILDING WIDTHS**  
**GABLE ENDWALLS OVER 10 FEET IN HEIGHT<sup>a,b,c</sup>**  
**50 ksi STEEL**

WIND SPEED		MEMBER SIZE	STUD SPACING (inches)	MINIMUM STUD THICKNESS (Mils)					
Exp. B	Exp. C			Stud Height, h (feet)					
				10 < h ≤ 12	12 < h ≤ 14	14 < h ≤ 16	16 < h ≤ 18	18 < h ≤ 20	20 < h ≤ 22
85 mph	—	350S162	16	33	43	54	97	—	—
			24	33	54	97	—	—	—
		550S162	16	33	33	33	33	43	54
			24	33	33	33	43	54	97
90 mph	—	350S162	16	33	43	68	97	—	—
			24	43	68	97	—	—	—
		550S162	16	33	33	33	33	43	54
			24	33	33	43	43	68	97
100 mph	85 mph	350S162	16	33	54	97	—	—	—
			24	54	97	—	—	—	—
		550S162	16	33	33	33	43	54	68
			24	33	33	43	54	97	97
110 mph	90 mph	350S162	16	43	68	—	—	—	—
			24	68	—	—	—	—	—
		550S162	16	33	33	43	43	68	97
			24	33	43	54	68	97	—
—	100 mph	350S162	16	54	97	—	—	—	—
			24	97	—	—	—	—	—
		550S162	16	33	33	43	54	97	—
			24	43	54	54	97	—	—
—	110 mph	350S162	16	54	97	—	—	—	—
			24	97	—	—	—	—	—
		550S162	16	33	43	54	68	97	—
			24	43	54	68	97	—	—

For SI: 1 inch = 25.4, 1 foot = 304.8 mm, 1 mil = 0.0254 mm, 1 mile per hour = 0.447 m/s, 1 pound per square foot = 0.0479kPa, 1 ksi = 6.895 MPa.

a. Deflection criterion  $L/240$ .

b. Design load assumptions:

Ground snow load is 70 psf.

Roof and ceiling dead load is 12 psf.

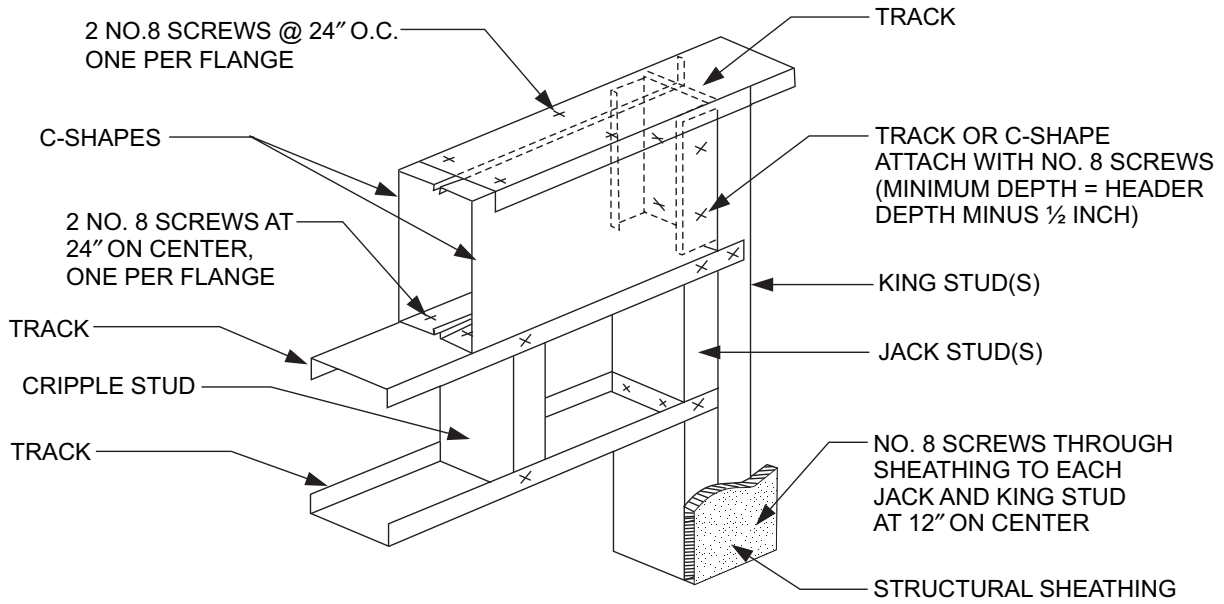
Floor dead load is 10 psf.

Floor live load is 40 psf.

Attic dead load is 10 psf.

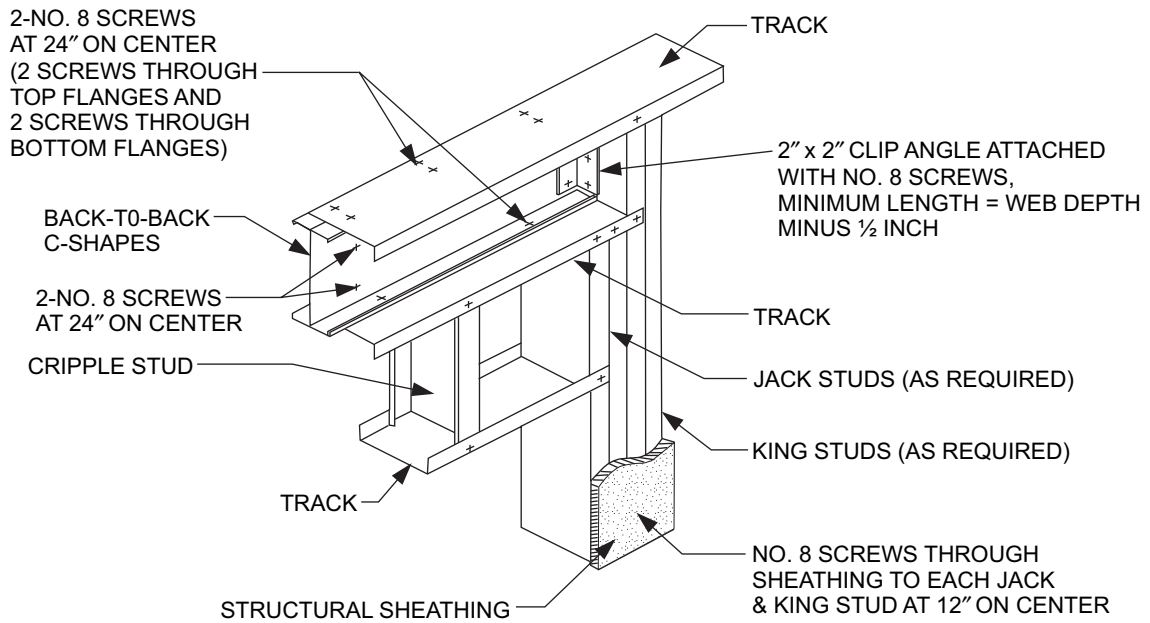
c. Building width is in the direction of horizontal framing members supported by the wall studs.

**WALL CONSTRUCTION**



For SI: 1 inch = 25.4 mm.

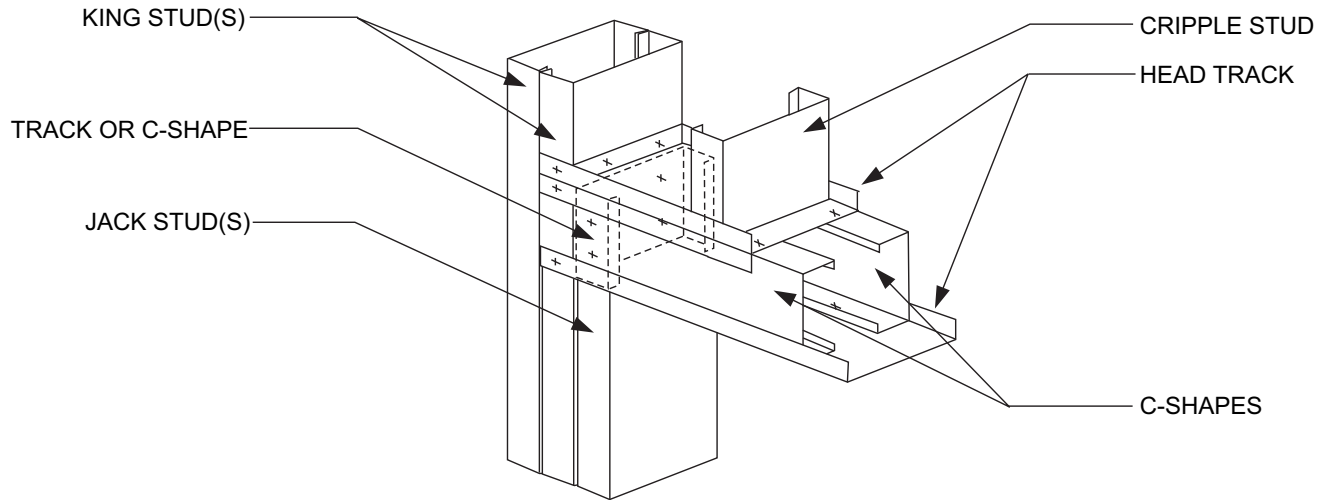
**FIGURE R603.6(1)  
BOX BEAM HEADER**



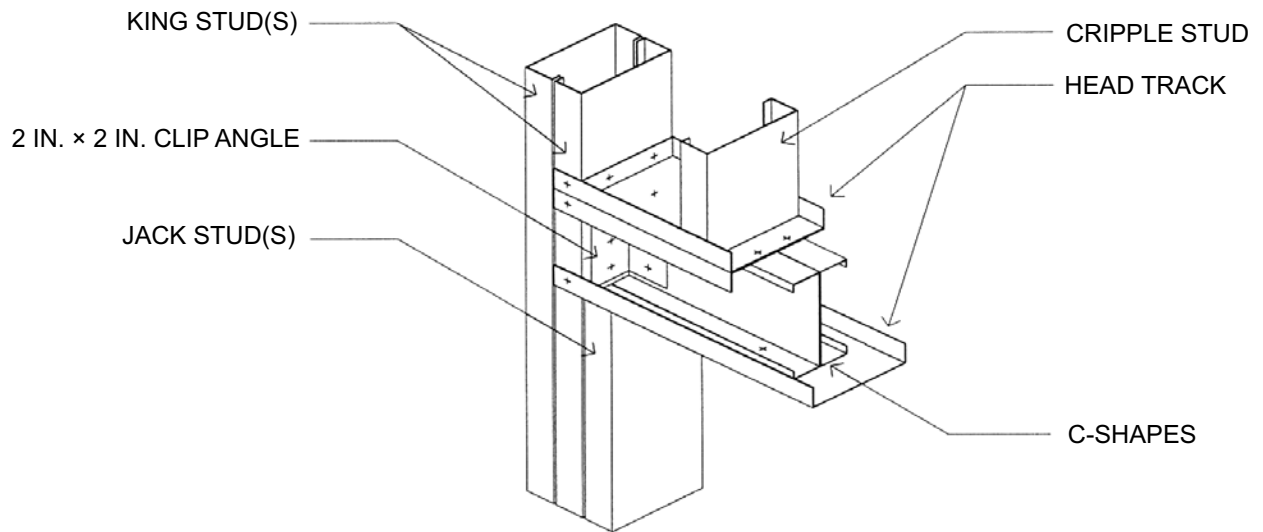
For SI: 1 inch = 25.4 mm.

**FIGURE 603.6(2)  
BACK-TO-BACK HEADER**





**FIGURE R603.6.1(1)**  
**BOX BEAM HEADER IN GABLE ENDWALL**



**FIGURE R603.6.1(2)**  
**BACK-TO-BACK HEADER IN GABLE ENDWALL**

For SI: 1 inch = 25.4 mm.

WALL CONSTRUCTION

**TABLE R603.6(1)**  
**BOX-BEAM HEADER SPANS**  
**Headers Supporting Roof and Ceiling Only (33 ksi steel)<sup>a, b</sup>**

MEMBER DESIGNATION	GROUND SNOW LOAD (20 psf)					GROUND SNOW LOAD (30 psf)				
	Building width <sup>c</sup> (feet)					Building width <sup>c</sup> (feet)				
	24	28	32	36	40	24	28	32	36	40
2-350S162-33	3'-3"	2'-8"	2'-2"	—	—	2'-8"	2'-2"	—	—	—
2-350S162-43	4'-2"	3'-9"	3'-4"	2'-11"	2'-7"	3'-9"	3'-4"	2'-11"	2'-7"	2'-2"
2-350S162-54	5'-0"	4'-6"	4'-1"	3'-8"	3'-4"	4'-6"	4'-1"	3'-8"	3'-3"	3'-0"
2-350S162-68	5'-7"	5'-1"	4'-7"	4'-3"	3'-10"	5'-1"	4'-7"	4'-2"	3'-10"	3'-5"
2-350S162-97	7'-1"	6'-6"	6'-1"	5'-8"	5'-3"	6'-7"	6'-1"	5'-7"	5'-3"	4'-11"
2-550S162-33	4'-8"	4'-0"	3'-6"	3'-0"	2'-6"	4'-1"	3'-6"	3'-0"	2'-6"	—
2-550S162-43	6'-0"	5'-4"	4'-10"	4'-4"	3'-11"	5'-5"	4'-10"	4'-4"	3'-10"	3'-5"
2-550S162-54	7'-0"	6'-4"	5'-9"	5'-4"	4'-10"	6'-5"	5'-9"	5'-3"	4'-10"	4'-5"
2-550S162-68	8'-0"	7'-4"	6'-9"	6'-3"	5'-10"	7'-5"	6'-9"	6'-3"	5'-9"	5'-4"
2-550S162-97	9'-11"	9'-2"	8'-6"	8'-0"	7'-6"	9'-3"	8'-6"	8'-0"	7'-5"	7'-0"
2-800S162-33	4'-5"	3'-11"	3'-5"	3'-1"	2'-10"	3'-11"	3'-6"	3'-1"	2'-9"	2'-3"
2-800S162-43	7'-3"	6'-7"	5'-11"	5'-4"	4'-10"	6'-7"	5'-11"	5'-4"	4'-9"	4'-3"
2-800S162-54	8'-10"	8'-0"	7'-4"	6'-9"	6'-2"	8'-1"	7'-4"	6'-8"	6'-1"	5'-7"
2-800S162-68	10'-5"	9'-7"	8'-10"	8'-2"	7'-7"	9'-8"	8'-10"	8'-1"	7'-6"	7'-0"
2-800S162-97	13'-1"	12'-1"	11'-3"	10'-7"	10'-0"	12'-2"	11'-4"	10'-6"	10'-0"	9'-4"
2-1000S162-43	7'-10"	6'-10"	6'-1"	5'-6"	5'-0"	6'-11"	6'-1"	5'-5"	4'-11"	4'-6"
2-1000S162-54	10'-0"	9'-1"	8'-3"	7'-7"	7'-0"	9'-2"	8'-4"	7'-7"	6'-11"	6'-4"
2-1000S162-68	11'-11"	10'-11"	10'-1"	9'-4"	8'-8"	11'-0"	10'-1"	9'-3"	8'-7"	8'-0"
2-1000S162-97	15'-3"	14'-3"	13'-5"	12'-6"	11'-10"	14'-4"	13'-5"	12'-6"	11'-9"	11'-0"
2-1200S162-54	11'-1"	10'-0"	9'-2"	8'-5"	7'-9"	10'-1"	9'-2"	8'-4"	7'-7"	7'-0"
2-1200S162-68	13'-3"	12'-1"	11'-2"	10'-4"	9'-7"	12'-3"	11'-2"	10'-3"	9'-6"	8'-10"
2-1200S162-97	16'-8"	15'-7"	14'-8"	13'-11"	13'-3"	15'-8"	14'-8"	13'-11"	13'-2"	12'-6"

For SI: 1 inch = 25.4 mm, 1 foot = 304.8 mm, 1 pound per square foot = 0.0479kPa, 1 pound per square inch = 6.895 kPa.

a. Deflection criterion:  $L/360$  for live loads,  $L/240$  for total loads.

b. Design load assumptions:

Roof/Ceiling dead load is 12 psf.

Attic dead load is 10 psf.

c. Building width is in the direction of horizontal framing members supported by the header.

**TABLE R603.6(2)**  
**BOX-BEAM HEADER SPANS**  
**Headers Supporting Roof and Ceiling Only (50 ksi steel)<sup>a, b</sup>**

MEMBER DESIGNATION	GROUND SNOW LOAD (20 psf)					GROUND SNOW LOAD (30 psf)				
	Building width <sup>c</sup> (feet)					Building width <sup>c</sup> (feet)				
	24	28	32	36	40	24	28	32	36	40
2-350S162-33	4'-4"	3'-11"	3'-6"	3'-2"	2'-10"	3'-11"	3'-6"	3'-1"	2'-9"	2'-5"
2-350S162-43	5'-6"	5'-0"	4'-7"	4'-2"	3'-10"	5'-0"	4'-7"	4'-2"	3'-10"	3'-6"
2-350S162-54	6'-2"	5'-10"	5'-8"	5'-3"	4'-10"	5'-11"	5'-8"	5'-2"	4'-10"	4'-6"
2-350S162-68	6'-7"	6'-3"	6'-0"	5'-10"	5'-8"	6'-4"	6'-1"	5'-10"	5'-8"	5'-6"
2-350S162-97	7'-3"	6'-11"	6'-8"	6'-5"	6'-3"	7'-0"	6'-8"	6'-5"	6'-3"	6'-0"
2-550S162-33	6'-2"	5'-6"	5'-0"	4'-7"	4'-2"	5'-7"	5'-0"	4'-6"	4'-1"	3'-8"
2-550S162-43	7'-9"	7'-2"	6'-7"	6'-1"	5'-8"	7'-3"	6'-7"	6'-1"	5'-7"	5'-2"
2-550S162-54	8'-9"	8'-5"	8'-1"	7'-9"	7'-3"	8'-6"	8'-1"	7'-8"	7'-2"	6'-8"
2-550S162-68	9'-5"	9'-0"	8'-8"	8'-4"	8'-1"	9'-1"	8'-8"	8'-4"	8'-1"	7'-10"
2-550S162-97	10'-5"	10'-0"	9'-7"	9'-3"	9'-0"	10'-0"	9'-7"	9'-3"	8'-11"	8'-8"
2-800S162-33	4'-5"	3'-11"	3'-5"	3'-1"	2'-10"	3'-11"	3'-6"	3'-1"	2'-9"	2'-6"
2-800S162-43	9'-1"	8'-5"	7'-8"	6'-11"	6'-3"	8'-6"	7'-8"	6'-10"	6'-2"	5'-8"
2-800S162-54	10'-10"	10'-2"	9'-7"	9'-0"	8'-5"	10'-2"	9'-7"	8'-11"	8'-4"	7'-9"
2-800S162-68	12'-8"	11'-10"	11'-2"	10'-7"	10'-1"	11'-11"	11'-2"	10'-7"	10'-0"	9'-6"
2-800S162-97	14'-2"	13'-6"	13'-0"	12'-7"	12'-2"	13'-8"	13'-1"	12'-7"	12'-2"	11'-9"
2-1000S162-43	7'-10"	6'-10"	6'-1"	5'-6"	5'-0"	6'-11"	6'-1"	5'-5"	4'-11"	4'-6"
2-1000S162-54	12'-3"	11'-5"	10'-9"	10'-2"	9'-6"	11'-6"	10'-9"	10'-1"	9'-5"	8'-9"
2-1000S162-68	14'-5"	13'-5"	12'-8"	12'-0"	11'-6"	13'-6"	12'-8"	12'-0"	11'-5"	10'-10"
2-1000S162-97	17'-1"	16'-4"	15'-8"	14'-11"	14'-3"	16'-5"	15'-9"	14'-10"	14'-1"	13'-6"
2-1200S162-54	12'-11"	11'-3"	10'-0"	9'-0"	8'-2"	11'-5"	10'-0"	9'-0"	8'-1"	7'-4"
2-1200S162-68	15'-11"	14'-10"	14'-0"	13'-4"	12'-8"	15'-0"	14'-0"	13'-3"	12'-7"	11'-11"
2-1200S162-97	19'-11"	18'-7"	17'-6"	16'-8"	15'-10"	18'-9"	17'-7"	16'-7"	15'-9"	15'-0"

For SI: 1 inch = 25.4 mm, 1 foot = 304.8 mm, 1 pound per square foot = 0.0479 kPa, 1 pound per square inch = 6.895 kPa.

a. Deflection criterion:  $L/360$  for live loads,  $L/240$  for total loads.

b. Design load assumptions:

Roof/Ceiling dead load is 12 psf.

Attic dead load is 10 psf.

c. Building width is in the direction of horizontal framing members supported by the header

WALL CONSTRUCTION

**TABLE R603.6(3)**  
**BOX-BEAM HEADER SPANS**  
**Headers Supporting Roof and Ceiling Only (33 ksi steel)<sup>a, b</sup>**

MEMBER DESIGNATION	GROUND SNOW LOAD (50 psf)					GROUND SNOW LOAD (70 psf)				
	Building width <sup>c</sup> (feet)					Building width <sup>c</sup> (feet)				
	24	28	32	36	40	24	28	32	36	40
2-350S162-33	—	—	—	—	—	—	—	—	—	—
2-350S162-43	2'-4"	—	—	—	—	—	—	—	—	—
2-350S162-54	3'-1"	2'-8"	2'-3"	—	—	2'-1"	—	—	—	—
2-350S162-68	3'-7"	3'-2"	2'-8"	2'-3"	—	2'-6"	—	—	—	—
2-350S162-97	5'-1"	4'-7"	4'-3"	3'-11"	3'-7"	4'-1"	3'-8"	3'-4"	3'-0"	2'-8"
2-550S162-33	2'-2"	—	—	—	—	—	—	—	—	—
2-550S162-43	3'-8"	3'-1"	2'-6"	—	—	2'-3"	—	—	—	—
2-550S162-54	4'-7"	4'-0"	3'-6"	3'-0"	2'-6"	3'-3"	2'-8"	2'-1"	—	—
2-550S162-68	5'-6"	4'-11"	4'-5"	3'-11"	3'-6"	4'-3"	3'-8"	3'-1"	2'-7"	2'-1"
2-550S162-97	7'-3"	6'-7"	6'-1"	5'-8"	5'-3"	5'-11"	5'-4"	4'-11"	4'-6"	4'-1"
2-800S162-33	2'-7"	—	—	—	—	—	—	—	—	—
2-800S162-43	4'-6"	3'-9"	3'-1"	2'-5"	—	2'-10"	—	—	—	—
2-800S162-54	5'-10"	5'-1"	4'-6"	3'-11"	3'-4"	4'-3"	3'-6"	2'-9"	—	—
2-800S162-68	7'-2"	6'-6"	5'-10"	5'-3"	4'-8"	5'-7"	4'-10"	4'-2"	3'-7"	2'-11"
2-800S162-97	9'-7"	8'-9"	8'-2"	7'-7"	7'-0"	7'-11"	7'-2"	6'-7"	6'-0"	5'-7"
2-1000S162-43	4'-8"	4'-1"	3'-6"	2'-9"	—	3'-3"	2'-2"	—	—	—
2-1000S162-54	6'-7"	5'-10"	5'-1"	4'-5"	3'-9"	4'-10"	4'-0"	3'-2"	2'-3"	—
2-1000S162-68	8'-3"	7'-5"	6'-8"	6'-0"	5'-5"	6'-5"	5'-7"	4'-9"	4'-1"	3'-5"
2-1000S162-97	11'-4"	10'-5"	9'-8"	9'-0"	8'-5"	9'-5"	8'-6"	7'-10"	7'-2"	6'-7"
2-1200S162-54	7'-3"	6'-5"	5'-7"	4'-10"	4'-2"	5'-4"	4'-4"	3'-5"	2'-5"	—
2-1200S162-68	9'-2"	8'-2"	7'-5"	6'-8"	6'-0"	7'-1"	6'-2"	5'-4"	4'-6"	3'-9"
2-1200S162-97	12'-10"	11'-9"	10'-11"	10'-2"	9'-6"	10'-7"	9'-8"	8'-10"	8'-2"	7'-6"

For SI: 1 inch = 25.4 mm, 1 foot = 304.8 mm, 1 pound per square foot = 0.0479 kPa, 1 pound per square inch = 6.895 kPa.

a. Deflection criterion:  $L/360$  for live loads,  $L/240$  for total loads.

b. Design load assumptions:

Roof/Ceiling dead load is 12 psf.

Attic dead load is 10 psf.

c. Building width is in the direction of horizontal framing members supported by the header

**TABLE R603.6(4)**  
**BOX-BEAM HEADER SPANS**  
**Headers Supporting Roof and Ceiling Only (50 ksi steel)<sup>a, b</sup>**

MEMBER DESIGNATION	GROUND SNOW LOAD (50 psf)					GROUND SNOW LOAD (70 psf)				
	Building width <sup>c</sup> (feet)					Building width <sup>c</sup> (feet)				
	24	28	32	36	40	24	28	32	36	40
2-350S162-33	2'-7"	2'-2"	—	—	—	—	—	—	—	—
2-350S162-43	3'-8"	3'-3"	2'-10"	2'-6"	2'-1"	2'-8"	2'-3"	—	—	—
2-350S162-54	4'-8"	4'-2"	3'-9"	3'-5"	3'-1"	3'-7"	3'-2"	2'-9"	2'-5"	2'-0"
2-350S162-68	5'-7"	5'-2"	4'-9"	4'-4"	3'-11"	4'-7"	4'-1"	3'-7"	3'-2"	2'-10"
2-350S162-97	6'-2"	5'-11"	5'-8"	5'-6"	5'-4"	5'-8"	5'-5"	5'-3"	4'-11"	4'-7"
2-550S162-33	3'-11"	3'-4"	2'-10"	2'-4"	—	2'-7"	—	—	—	—
2-550S162-43	5'-4"	4'-10"	4'-4"	3'-10"	3'-5"	4'-2"	3'-7"	3'-1"	2'-7"	2'-1"
2-550S162-54	6'-11"	6'-3"	5'-9"	5'-3"	4'-9"	5'-6"	4'-11"	4'-5"	3'-11"	3'-5"
2-550S162-68	8'-0"	7'-6"	6'-11"	6'-5"	5'-11"	6'-9"	6'-1"	5'-6"	5'-0"	4'-7"
2-550S162-97	8'-11"	8'-6"	8'-2"	7'-11"	7'-8"	8'-1"	7'-9"	7'-6"	7'-1"	6'-7"
2-800S162-33	2'-8"	2'-4"	2'-1"	1'-11"	1'-9"	2'-0"	1'-9"	—	—	—
2-800S162-43	5'-10"	5'-2"	4'-7"	4'-2"	3'-10"	4'-5"	3'-11"	3'-6"	3'-0"	2'-6"
2-800S162-54	8'-0"	7'-3"	6'-8"	6'-1"	5'-7"	6'-5"	5'-9"	5'-1"	4'-7"	4'-0"
2-800S162-68	9'-9"	9'-0"	8'-3"	7'-8"	7'-1"	8'-0"	7'-3"	6'-7"	6'-0"	5'-6"
2-800S162-97	12'-1"	11'-7"	11'-2"	10'-8"	10'-2"	11'-0"	10'-4"	9'-9"	9'-2"	8'-7"
2-1000S162-43	4'-8"	4'-1"	3'-8"	3'-4"	3'-0"	3'-6"	3'-1"	2'-9"	2'-6"	2'-3"
2-1000S162-54	9'-1"	8'-2"	7'-3"	6'-7"	6'-0"	7'-0"	6'-2"	5'-6"	5'-0"	4'-6"
2-1000S162-68	11'-1"	10'-2"	9'-5"	8'-8"	8'-1"	9'-1"	8'-3"	7'-6"	6'-10"	6'-3"
2-1000S162-97	13'-9"	12'-11"	12'-2"	11'-7"	11'-1"	11'-11"	11'-3"	10'-7"	9'-11"	9'-4"
2-1200S162-54	7'-8"	6'-9"	6'-1"	5'-6"	5'-0"	5'-10"	5'-1"	4'-7"	4'-1"	3'-9"
2-1200S162-68	12'-3"	11'-3"	10'-4"	9'-7"	8'-11"	10'-1"	9'-1"	8'-3"	7'-6"	6'-10"
2-1200S162-97	15'-4"	14'-5"	13'-7"	12'-11"	12'-4"	13'-4"	12'-6"	11'-10"	11'-1"	10'-5"

For SI: 1 inch = 25.4 mm, 1 foot = 304.8 mm, 1 pound per square foot = 0.0479 kPa, 1 pound per square inch = 6.895 kPa.

a. Deflection criterion:  $L/360$  for live loads,  $L/240$  for total loads.

b. Design load assumptions:

Roof/Ceiling dead load is 12 psf.

Attic dead load is 10 psf.

c. Building width is in the direction of horizontal framing members supported by the header

WALL CONSTRUCTION

**TABLE R603.6(5)**  
**BOX-BEAM HEADER SPANS**  
**Headers Supporting One Floor, Roof and Ceiling (33 ksi steel)<sup>a, b</sup>**

MEMBER DESIGNATION	GROUND SNOW LOAD (20 psf)					GROUND SNOW LOAD (30 psf)				
	Building width <sup>c</sup> (feet)					Building width <sup>c</sup> (feet)				
	24	28	32	36	40	24	28	32	36	40
2-350S162-33	—	—	—	—	—	—	—	—	—	—
2-350S162-43	2'-2"	—	—	—	—	2'-1"	—	—	—	—
2-350S162-54	2'-11"	2'-5"	—	—	—	2'-10"	2'-4"	—	—	—
2-350S162-68	3'-8"	3'-2"	2'-9"	2'-4"	—	3'-7"	3'-1"	2'-8"	2'-3"	—
2-350S162-97	4'-11"	4'-5"	4'-2"	3'-8"	3'-5"	4'-10"	4'-5"	4'-0"	3'-8"	3'-4"
2-550S162-33	—	—	—	—	—	—	—	—	—	—
2-550S162-43	3'-5"	2'-9"	2'-1"	—	—	3'-3"	2'-7"	—	—	—
2-550S162-54	4'-4"	3'-9"	3'-2"	2'-7"	2'-1"	4'-3"	3'-7"	3'-1"	2'-6"	—
2-550S162-68	5'-3"	4'-8"	4'-1"	3'-7"	3'-2"	5'-2"	4'-7"	4'-0"	3'-6"	3'-1"
2-550S162-97	7'-0"	6'-5"	5'-10"	5'-5"	5'-0"	6'-11"	6'-4"	5'-9"	5'-4"	4'-11"
2-800S162-33	2'-1"	—	—	—	—	—	—	—	—	—
2-800S162-43	4'-2"	3'-4"	2'-7"	—	—	4'-0"	3'-3"	2'-5"	—	—
2-800S162-54	5'-6"	4'-9"	4'-1"	3'-5"	2'-9"	5'-5"	4'-8"	3'-11"	3'-3"	2'-8"
2-800S162-68	6'-11"	6'-2"	5'-5"	4'-10"	4'-3"	6'-9"	6'-0"	5'-4"	4'-8"	4'-1"
2-800S162-97	9'-4"	8'-6"	7'-10"	7'-3"	6'-8"	9'-2"	8'-4"	7'-8"	7'-1"	6'-7"
2-1000S162-43	4'-4"	3'-9"	2'-11"	—	—	4'-3"	3'-8"	2'-9"	—	—
2-1000S162-54	6'-3"	5'-5"	4'-7"	3'-11"	3'-2"	6'-1"	5'-3"	4'-6"	3'-9"	3'-0"
2-1000S162-68	7'-11"	7'-0"	6'-3"	5'-6"	4'-10"	7'-9"	6'-10"	6'-1"	5'-4"	4'-9"
2-1000S162-97	11'-0"	10'-1"	9'-3"	8'-7"	8'-0"	10'-11"	9'-11"	9'-2"	8'-5"	7'-10"
2-1200S162-54	6'-11"	5'-11"	5'-1"	4'-3"	3'-5"	6'-9"	5'-9"	4'-11"	4'-1"	3'-3"
2-1200S162-68	8'-9"	7'-9"	6'-11"	6'-1"	5'-4"	8'-7"	7'-7"	6'-9"	5'-11"	5'-3"
2-1200S162-97	12'-4"	11'-5"	10'-6"	9'-8"	9'-0"	12'-3"	11'-3"	10'-4"	9'-6"	8'-10"

For SI: 1 inch = 25.4 mm, 1 foot = 304.8 mm, 1 pound per square foot = 0.0479 kPa, 1 pound per square inch = 6.895 kPa.

a. Deflection criterion:  $L/360$  for live loads,  $L/240$  for total loads.

b. Design load assumptions:

Second floor dead load is 10 psf.

Roof/Ceiling dead load is 12 psf.

Second floor live load is 30 psf.

Attic dead load is 10 psf.

c. Building width is in the direction of horizontal framing members supported by the header

**TABLE R603.6(6)**  
**BOX-BEAM HEADER SPANS**  
**Headers Supporting One Floor, Roof and Ceiling (50 ksi steel)<sup>a, b</sup>**

MEMBER DESIGNATION	GROUND SNOW LOAD (20 psf)					GROUND SNOW LOAD (30 psf)				
	Building width <sup>c</sup> (feet)					Building width <sup>c</sup> (feet)				
	24	28	32	36	40	24	28	32	36	40
2-350S162-33	2'-4"	—	—	—	—	2'-3"	—	—	—	—
2-350S162-43	3'-4"	2'-11"	2'-6"	2'-1"	—	3'-3"	2'-10"	2'-5"	2'-0"	—
2-350S162-54	4'-4"	3'-10"	3'-5"	3'-1"	2'-9"	4'-3"	2'-9"	3'-4"	3'-0"	2'-8"
2-350S162-68	5'-0"	4'-9"	4'-7"	4'-2"	3'-9"	4'-11"	4'-8"	4'-6"	4'-1"	3'-9"
2-350S162-97	5'-6"	5'-3"	5'-1"	4'-11"	2'-9"	5'-5"	5'-2"	5'-0"	4'-10"	4'-8"
2-550S162-33	3'-6"	2'-11"	2'-4"	—	—	3'-5"	2'-10"	2'-3"	—	—
2-550S162-43	5'-0"	4'-5"	3'-11"	3'-5"	3'-0"	4'-11"	4'-4"	3'-10"	3'-4"	2'-11"
2-550S162-54	6'-6"	5'-10"	5'-3"	4'-9"	4'-4"	6'-4"	5'-9"	5'-2"	4'-8"	4'-3"
2-550S162-68	7'-2"	6'-10"	6'-5"	5'-11"	5'-6"	7'-0"	6'-9"	6'-4"	5'-10"	5'-4"
2-550S162-97	7'-11"	7'-7"	7'-3"	7'-0"	6'-10"	7'-9"	7'-5"	7'-2"	6'-11"	6'-9"
2-800S162-33	2'-5"	2'-2"	1'-11"	1'-9"	—	2'-5"	2'-1"	1'-10"	1'-8"	—
2-800S162-43	5'-5"	4'-9"	4'-3"	3'-9"	3'-5"	5'-3"	4'-8"	4'-1"	3'-9"	3'-5"
2-800S162-54	7'-6"	6'-9"	6'-2"	5'-7"	5'-0"	7'-5"	6'-8"	6'-0"	5'-5"	4'-11"
2-800S162-68	9'-3"	8'-5"	7'-8"	7'-1"	6'-6"	9'-1"	8'-3"	7'-7"	7'-0"	6'-5"
2-800S162-97	10'-9"	10'-3"	9'-11"	9'-7"	9'-3"	10'-7"	10'-1"	9'-9"	9'-5"	9'-1"
2-1000S162-43	4'-4"	3'-9"	3'-4"	3'-0"	2'-9"	4'-3"	3'-8"	3'-3"	2'-11"	2'-8"
2-1000S162-54	8'-6"	7'-6"	6'-8"	6'-0"	5'-5"	8'-4"	7'-4"	6'-6"	5'-10"	5'-4"
2-1000S162-68	10'-6"	9'-7"	8'-9"	8'-0"	7'-5"	10'-4"	9'-5"	8'-7"	7'-11"	7'-3"
2-1000S162-97	12'-11"	12'-4"	11'-8"	11'-1"	10'-6"	12'-9"	12'-2"	11'-6"	10'-11"	10'-5"
2-1200S162-54	7'-1"	6'-2"	5'-6"	5'-0"	4'-6"	6'-11"	6'-1"	5'-5"	4'-10"	4'-5"
2-1200S162-68	11'-7"	10'-7"	9'-8"	8'-11"	8'-2"	11'-5"	10'-5"	9'-6"	8'-9"	8'-0"
2-1200S162-97	14'-9"	13'-9"	13'-0"	12'-4"	11'-9"	14'-7"	13'-8"	12'-10"	12'-3"	11'-8"

For SI: 1 inch = 25.4 mm, 1 foot = 304.8 mm, 1 pound per square foot = 0.0479 kPa, 1 pound per square inch = 6.895 kPa.

a. Deflection criterion:  $L/360$  for live loads,  $L/240$  for total loads.

b. Design load assumptions:

Second floor dead load is 10 psf.

Roof/ceiling dead load is 12 psf.

Second floor live load is 30 psf.

Attic live load is 10 psf.

c. Building width is in the direction of horizontal framing members supported by the header



**WALL CONSTRUCTION**

**TABLE R603.6(7)  
BOX-BEAM HEADER SPANS  
Headers Supporting One Floor, Roof and Ceiling (33 ksi steel)<sup>a, b</sup>**

MEMBER DESIGNATION	GROUND SNOW LOAD (50 psf)					GROUND SNOW LOAD (70 psf)				
	Building width <sup>c</sup> (feet)					Building width <sup>c</sup> (feet)				
	24	28	32	36	40	24	28	32	36	40
2-350S162-33	—	—	—	—	—	—	—	—	—	—
2-350S162-43	—	—	—	—	—	—	—	—	—	—
2-350S162-54	—	—	—	—	—	—	—	—	—	—
2-350S162-68	2'-8"	2'-3"	—	—	—	—	—	—	—	—
2-350S162-97	4'-0"	3'-7"	3'-3"	2'-11"	2'-7"	3'-4"	2'-11"	2'-6"	2'-2"	—
2-550S162-33	—	—	—	—	—	—	—	—	—	—
2-550S162-43	2'-0"	—	—	—	—	—	—	—	—	—
2-550S162-54	3'-1"	2'-6"	—	—	—	—	—	—	—	—
2-550S162-68	4'-1"	3'-6"	2'-11"	2'-5"	—	3'-1"	2'-5"	—	—	—
2-550S162-97	5'-10"	5'-3"	4'-10"	4'-5"	4'-0"	4'-11"	4'-5"	3'-11"	3'-6"	3'-2"
2-800S162-33	—	—	—	—	—	—	—	—	—	—
2-800S162-43	2'-6"	—	—	—	—	—	—	—	—	—
2-800S162-54	4'-0"	3'-3"	2'-6"	—	—	2'-8"	—	—	—	—
2-800S162-68	5'-5"	4'-8"	4'-0"	3'-4"	2'-8"	4'-2"	3'-4"	2'-6"	—	—
2-800S162-97	7'-9"	7'-1"	6'-6"	5'-11"	5'-5"	6'-7"	5'-11"	5'-4"	4'-10"	4'-4"
2-1000S162-43	2'-10"	—	—	—	—	—	—	—	—	—
2-1000S162-54	4'-7"	3'-8"	2'-9"	—	—	3'-0"	—	—	—	—
2-1000S162-68	6'-2"	5'-4"	4'-7"	3'-10"	3'-1"	4'-9"	3'-10"	2'-11"	—	—
2-1000S162-97	9'-3"	8'-5"	7'-8"	7'-1"	6'-6"	7'-10"	7'-1"	6'-5"	5'-9"	5'-2"
2-1200S162-54	5'-0"	4'-0"	3'-1"	—	—	3'-4"	—	—	—	—
2-1200S162-68	6'-10"	5'-11"	5'-0"	4'-3"	3'-5"	5'-3"	4'-3"	3'-2"	—	—
2-1200S162-97	10'-5"	9'-6"	8'-8"	8'-0"	7'-4"	8'-10"	8'-0"	7'-3"	6'-6"	5'-10"

For SI: 1 inch = 25.4 mm, 1 foot = 304.8 mm, 1 pound per square foot = 0.0479kPa, 1 pound per square inch = 6.895 kPa.

a. Deflection criterion:  $L/360$  for live loads,  $L/240$  for total loads.

b. Design load assumptions:

Second floor dead load is 10 psf.

Roof/ceiling dead load is 12 psf.

Second floor live load is 30 psf.

Attic live load is 10 psf.

c. Building width is in the direction of horizontal framing members supported by the header

**TABLE R603.6(8)**  
**BOX-BEAM HEADER SPANS**  
**Headers Supporting One Floor, Roof and Ceiling (50 ksi steel)<sup>a, b</sup>**

MEMBER DESIGNATION	GROUND SNOW LOAD (50 psf)					GROUND SNOW LOAD (70 psf)				
	Building width <sup>c</sup> (feet)					Building width <sup>c</sup> (feet)				
	24	28	32	36	40	24	28	32	36	40
2-350S162-33	—	—	—	—	—	—	—	—	—	—
2-350S162-43	2'-8"	—	—	—	—	—	—	—	—	—
2-350S162-54	3'-5"	3'-0"	2'-7"	2'-2"	—	2'-8"	2'-2"	—	—	—
2-350S162-68	4'-6"	4'-1"	3'-8"	3'-3"	2'-11"	3'-9"	3'-3"	2'-10"	2'-5"	2'-1"
2-350S162-97	5'-1"	4'-10"	4'-8"	4'-6"	4'-5"	4'-10"	4'-7"	4'-4"	4'-0"	3'-8"
2-550S162-33	2'-4"	—	—	—	—	—	—	—	—	—
2-550S162-43	3'-10"	3'-4"	2'-9"	2'-3"	—	2'-11"	2'-3"	—	—	—
2-550S162-54	5'-3"	3'-8"	4'-1"	3'-8"	3'-2"	4'-3"	3'-8"	3'-1"	2'-7"	2'-0"
2-550S162-68	6'-5"	5'-10"	5'-3"	4'-9"	4'-4"	5'-5"	4'-9"	4'-3"	3'-9"	3'-4"
2-550S162-97	7'-4"	7'-0"	6'-9"	6'-6"	6'-4"	6'-11"	6'-8"	6'-3"	5'-10"	5'-5"
2-800S162-33	1'-11"	1'-8"	—	—	—	—	—	—	—	—
2-800S162-43	4'-2"	3'-8"	3'-4"	2'-9"	2'-2"	3'-5"	2'-9"	—	—	—
2-800S162-54	6'-1"	5'-5"	4'-10"	4'-3"	3'-9"	4'-11"	4'-3"	3'-8"	3'-0"	2'-5"
2-800S162-68	7'-8"	6'-11"	6'-3"	5'-9"	5'-2"	6'-5"	5'-9"	5'-1"	4'-6"	4'-0"
2-800S162-97	9'-11"	9'-6"	9'-2"	8'-10"	8'-3"	9'-5"	8'-10"	8'-2"	7'-7"	7'-0"
2-1000S162-43	3'-4"	2'-11"	2'-7"	2'-5"	2'-2"	2'-8"	2'-5"	2'-2"	—	—
2-1000S162-54	6'-7"	5'-10"	5'-3"	4'-9"	4'-3"	5'-4"	4'-9"	4'-1"	3'-5"	2'-9"
2-1000S162-68	8'-8"	7'-10"	7'-2"	6'-6"	5'-11"	7'-4"	6'-6"	5'-9"	5'-1"	4'-6"
2-1000S162-97	11'-7"	10'-11"	10'-3"	9'-7"	9'-0"	10'-5"	9'-7"	8'-10"	8'-2"	7'-8"
2-1200S162-54	5'-6"	4'-10"	4'-4"	3'-11"	3'-7"	4'-5"	3'-11"	3'-6"	3'-2"	2'-11"
2-1200S162-68	9'-7"	8'-8"	7'-11"	7'-2"	6'-6"	8'-1"	7'-2"	6'-4"	5'-8"	5'-0"
2-1200S162-97	12'-11"	12'-2"	11'-6"	10'-8"	10'-0"	11'-8"	10'-9"	9'-11"	9'-2"	8'-6"

For SI: 1 inch = 25.4 mm, 1 foot = 304.8 mm, 1 pound per square foot = 0.0479 kPa, 1 pound per square inch = 6.895 kPa.

a. Deflection criterion:  $L/360$  for live loads,  $L/240$  for total loads.

b. Design load assumptions:

Second floor dead load is 10 psf.

Roof/ceiling dead load is 12 psf.

Second floor live load is 30 psf.

Attic live load is 10 psf.

c. Building width is in the direction of horizontal framing members supported by the header

**TABLE R603.6(9)**  
**BOX-BEAM HEADER SPANS**  
**Headers Supporting Two Floors, Roof and Ceiling (33 ksi steel)<sup>a</sup>**

MEMBER DESIGNATION	GROUND SNOW LOAD (20 psf)					GROUND SNOW LOAD (30 psf)				
	Building width <sup>c</sup> (feet)					Building width <sup>c</sup> (feet)				
	24	28	32	36	40	24	28	32	36	40
2-350S162-33	—	—	—	—	—	—	—	—	—	—
2-350S162-43	—	—	—	—	—	—	—	—	—	—
2-350S162-54	—	—	—	—	—	—	—	—	—	—
2-350S162-68	—	—	—	—	—	—	—	—	—	—
2-350S162-97	3'-1"	2'-8"	2'-3"	—	—	3'-1"	2'-7"	2'-2"	—	—
2-550S162-33	—	—	—	—	—	—	—	—	—	—
2-550S162-43	—	—	—	—	—	—	—	—	—	—
2-550S162-54	—	—	—	—	—	—	—	—	—	—
2-550S162-68	2'-9"	—	—	—	—	2'-8"	—	—	—	—
2-550S162-97	4'-8"	4'-1"	3'-7"	3'-2"	2'-9"	4'-7"	4'-0"	3'-6"	3'-1"	2'-8"
2-800S162-33	—	—	—	—	—	—	—	—	—	—
2-800S162-43	—	—	—	—	—	—	—	—	—	—
2-800S162-54	2'-1"	—	—	—	—	—	—	—	—	—
2-800S162-68	3'-8"	2'-9"	—	—	—	3'-7"	2'-8"	—	—	—
2-800S162-97	6'-3"	5'-6"	4'-11"	4'-4"	3'-9"	6'-2"	5'-5"	4'-10"	4'-3"	3'-9"
2-1000S162-43	—	—	—	—	—	—	—	—	—	—
2-1000S162-54	2'-5"	—	—	—	—	2'-3"	—	—	—	—
2-1000S162-68	4'-3"	3'-2"	2'-0"	—	—	4'-2"	3'-1"	—	—	—
2-1000S162-97	7'-5"	6'-7"	5'-10"	5'-2"	4'-7"	7'-4"	6'-6"	5'-9"	5'-1"	4'-6"
2-1200S162-54	2'-7"	—	—	—	—	2'-6"	—	—	—	—
2-1200S162-68	4'-8"	3'-6"	2'-2"	—	—	4'-7"	3'-5"	2'-0"	—	—
2-1200S162-97	8'-5"	7'-5"	6'-7"	5'-10"	5'-2"	8'-3"	7'-4"	6'-6"	5'-9"	5'-1"

For SI: 1 inch = 25.4 mm, 1 foot = 304.8 mm, 1 pound per square foot = 0.0479kPa, 1 pound per square inch = 6.895 kPa.

a. Deflection criterion:  $L/360$  for live loads,  $L/240$  for total loads.

b. Design load assumptions:

Second floor dead load is 10 psf.

Roof/ceiling dead load is 12 psf.

Second floor live load is 40 psf.

Third floor live load is 30 psf.

Attic live load is 10 psf.

c. Building width is in the direction of horizontal framing members supported by the header

**TABLE R603.6(10)**  
**BOX-BEAM HEADER SPANS**  
**Headers Supporting Two Floors, Roof and Ceiling (50 ksi steel)<sup>a, b</sup>**

MEMBER DESIGNATION	GROUND SNOW LOAD (20 psf)					GROUND SNOW LOAD (30 psf)				
	Building width <sup>c</sup> (feet)					Building width <sup>c</sup> (feet)				
	24	28	32	36	40	24	28	32	36	40
2-350S162-33	—	—	—	—	—	—	—	—	—	—
2-350S162-43	—	—	—	—	—	—	—	—	—	—
2-350S162-54	2'-5"	—	—	—	—	2'-4"	—	—	—	—
2-350S162-68	3'-6"	3'-0"	2'-6"	2'-1"	—	3'-5"	2'-11"	2'-6"	2'-0"	—
2-350S162-97	4'-9"	4'-6"	4'-1"	3'-8"	3'-4"	4'-8"	4'-5"	4'-0"	3'-8"	3'-4"
2-550S162-33	—	—	—	—	—	—	—	—	—	—
2-550S162-43	2'-7"	—	—	—	—	2'-6"	—	—	—	—
2-550S162-54	3'-11"	3'-3"	2'-8"	2'-0"	—	3'-10"	3'-3"	2'-7"	—	—
2-550S162-68	5'-1"	4'-5"	3'-10"	3'-3"	2'-9"	5'-0"	4'-4"	3'-9"	3'-3"	2'-9"
2-550S162-97	6'-10"	6'-5"	5'-10"	5'-5"	4'-11"	6'-9"	6'-4"	5'-10"	5'-4"	4'-11"
2-800S162-33	—	—	—	—	—	—	—	—	—	—
2-800S162-43	3'-1"	2'-3"	—	—	—	3'-0"	2'-2"	—	—	—
2-800S162-54	4'-7"	3'-10"	3'-1"	2'-5"	—	4'-6"	3'-9"	3'-0"	2'-4"	—
2-800S162-68	6'-0"	5'-3"	4'-7"	3'-11"	3'-4"	6'-0"	5'-2"	4'-6"	3'-11"	3'-3"
2-800S162-97	9'-2"	8'-4"	7'-8"	7'-0"	6'-6"	9'-1"	8'-3"	7'-7"	7'-0"	6'-5"
2-1000S162-43	2'-6"	2'-2"	—	—	—	2'-6"	2'-2"	—	—	—
2-1000S162-54	5'-0"	4'-4"	3'-6"	2'-9"	—	4'-11"	4'-3"	3'-5"	2'-7"	—
2-1000S162-68	6'-10"	6'-0"	5'-3"	4'-6"	3'-10"	6'-9"	5'-11"	5'-2"	4'-5"	3'-9"
2-1000S162-97	10'-0"	9'-1"	8'-3"	7'-8"	7'-0"	9'-10"	9'-0"	8'-3"	7'-7"	7'-0"
2-1200S162-54	4'-2"	3'-7"	3'-3"	2'-11"	—	4'-1"	3'-7"	3'-2"	2'-10"	—
2-1200S162-68	7'-7"	6'-7"	5'-9"	5'-0"	4'-2"	7'-6"	6'-6"	5'-8"	4'-10"	4'-1"
2-1200S162-97	11'-2"	10'-1"	9'-3"	8'-6"	7'-10"	11'-0"	10'-0"	9'-2"	9'-2"	7'-9"

For SI: 1 inch = 25.4 mm, 1 foot = 304.8 mm, 1 pound per square foot = 0.0479 kPa, 1 pound per square inch = 6.895 kPa.

a. Deflection criterion:  $L/360$  for live loads,  $L/240$  for total loads.

b. Design load assumptions:

Second floor dead load is 10 psf.

Roof/ceiling dead load is 12 psf.

Second floor live load is 40 psf.

Third floor live load is 30 psf.

Attic live load is 10 psf.

c. Building width is in the direction of horizontal framing members supported by the header

**TABLE R603.6(11)**  
**BOX-BEAM HEADER SPANS**  
**Headers Supporting Two Floors, Roof and Ceiling (33 ksi steel)<sup>a, b</sup>**

MEMBER DESIGNATION	GROUND SNOW LOAD (50 psf)					GROUND SNOW LOAD (70 psf)				
	Building width <sup>c</sup> (feet)					Building width <sup>c</sup> (feet)				
	24	28	32	36	40	24	28	32	36	40
2-350S162-33	—	—	—	—	—	—	—	—	—	—
2-350S162-43	—	—	—	—	—	—	—	—	—	—
2-350S162-54	—	—	—	—	—	—	—	—	—	—
2-350S162-68	—	—	—	—	—	—	—	—	—	—
2-350S162-97	2'-11"	2'-5"	2'-0"	—	—	2'-7"	2'-2"	—	—	—
2-550S162-33	—	—	—	—	—	—	—	—	—	—
2-550S162-43	—	—	—	—	—	—	—	—	—	—
2-550S162-54	—	—	—	—	—	—	—	—	—	—
2-550S162-68	2'-5"	—	—	—	—	—	—	—	—	—
2-550S162-97	4'-4"	3'-10"	3'-4"	2'-10"	2'-5"	4'-0"	3'-6"	3'-1"	2'-7"	2'-2"
2-800S162-33	—	—	—	—	—	—	—	—	—	—
2-800S162-43	—	—	—	—	—	—	—	—	—	—
2-800S162-54	—	—	—	—	—	—	—	—	—	—
2-800S162-68	3'-3"	2'-3"	—	—	—	2'-8"	—	—	—	—
2-800S162-97	5'-11"	5'-2"	4'-6"	4'-0"	3'-5"	5'-6"	4'-10"	4'-3"	3'-8"	3'-2"
2-1000S162-43	—	—	—	—	—	—	—	—	—	—
2-1000S162-54	—	—	—	—	—	—	—	—	—	—
2-1000S162-68	3'-9"	2'-7"	—	—	—	3'-1"	—	—	—	—
2-1000S162-97	7'-0"	6'-2"	5'-5"	4'-9"	4'-2"	6'-6"	5'-9"	5'-1"	4'-5"	3'-10"
2-1200S162-54	—	—	—	—	—	—	—	—	—	—
2-1200S162-68	4'-2"	2'-10"	—	—	—	3'-5"	2'-0"	—	—	—
2-1200S162-97	7'-11"	7'-0"	6'-2"	5'-5"	4'-8"	7'-4"	6'-6"	5'-9"	5'-0"	4'-4"

For SI: 1 inch = 25.4 mm, 1 foot = 304.8 mm, 1 pound per square foot = 0.0479kPa, 1 pound per square inch = 6.895 kPa.

a. Deflection criterion:  $L/360$  for live loads,  $L/240$  for total loads.

b. Design load assumptions:

Second floor dead load is 10 psf.

Roof/ceiling dead load is 12 psf.

Second floor live load is 40 psf.

Third floor live load is 30 psf.

Attic live load is 10 psf.

c. Building width is in the direction of horizontal framing members supported by the header

**TABLE R603.6(12)**  
**BOX-BEAM HEADER SPANS<sup>a,b,c</sup>**  
**Headers Supporting Two Floors, Roof and Ceiling (50 ksi steel)<sup>a,b</sup>**

MEMBER DESIGNATION	GROUND SNOW LOAD (50 psf)					GROUND SNOW LOAD (70 psf)				
	Building width <sup>c</sup> (feet)					Building width <sup>c</sup> (feet)				
	24	28	32	36	40	24	28	32	36	40
2-350S162-33	—	—	—	—	—	—	—	—	—	—
2-350S162-43	—	—	—	—	—	—	—	—	—	—
2-350S162-54	2'-2"	—	—	—	—	—	—	—	—	—
2-350S162-68	3'-3"	2'-9"	2'-3"	—	—	2'-11"	2'-5"	—	—	—
2-350S162-97	4'-6"	4'-3"	3'-10"	3'-6"	3'-2"	4'-3"	4'-0"	3'-7"	3'-3"	3'-0"
2-550S162-33	—	—	—	—	—	—	—	—	—	—
2-550S162-43	2'-3"	—	—	—	—	—	—	—	—	—
2-550S162-54	3'-7"	2'-11"	2'-3"	—	—	3'-3"	2'-7"	—	—	—
2-550S162-68	4'-9"	2'-1"	3'-6"	3'-0"	2'-5"	4'-4"	3'-9"	3'-2"	2'-8"	2'-1"
2-550S162-97	6'-5"	6'-1"	5'-7"	5'-1"	4'-8"	6'-3"	5'-10"	5'-4"	4'-10"	4'-5"
2-800S162-33	—	—	—	—	—	—	—	—	—	—
2-800S162-43	2'-8"	—	—	—	—	2'-2"	—	—	—	—
2-800S162-54	4'-3"	3'-5"	2'-8"	—	—	3'-9"	3'-0"	2'-3"	—	—
2-800S162-68	5'-8"	4'-11"	4'-2"	3'-7"	2'-11"	5'-3"	4'-6"	3'-10"	3'-3"	2'-7"
2-800S162-97	8'-9"	8'-0"	7'-3"	6'-8"	6'-2"	8'-4"	7'-7"	6'-11"	6'-4"	5'-10"
2-1000S162-43	2'-4"	2'-0"	—	—	—	2'-2"	—	—	—	—
2-1000S162-54	4'-8"	3'-11"	3'-1"	2'-2"	—	4'-3"	3'-5"	2'-7"	—	—
2-1000S162-68	6'-5"	5'-7"	4'-9"	4'-1"	3'-4"	5'-11"	5'-1"	4'-5"	3'-8"	2'-11"
2-1000S162-97	9'-6"	8'-8"	7'-11"	7'-3"	6'-8"	9'-0"	8'-3"	7'-6"	6'-11"	6'-4"
2-1200S162-54	3'-11"	3'-5"	3'-0"	2'-4"	—	3'-7"	3'-2"	2'-10"	—	—
2-1200S162-68	7'-1"	6'-2"	5'-3"	4'-6"	3'-8"	6'-6"	5'-8"	4'-10"	4'-0"	3'-3"
2-1200S162-97	10'-8"	9'-8"	8'-10"	8'-1"	7'-5"	10'-1"	9'-2"	8'-5"	7'-9"	7'-1"

For SI: 1 inch = 25.4 mm, 1 foot = 304.8 mm, 1 pound per square foot = 0.0479 kPa, 1 pound per square inch = 6.895 kPa.

a. Deflection criterion:  $L/360$  for live loads,  $L/240$  for total loads.

b. Design load assumptions:

Second floor dead load is 10 psf.

Roof/ceiling dead load is 12 psf.

Second floor live load is 40 psf.

Third floor live load is 30 psf.

Attic live load is 10 psf.

c. Building width is in the direction of horizontal framing members supported by the header

**WALL CONSTRUCTION**

**TABLE R603.6(13)  
BACK-TO-BACK HEADER SPANS  
Headers Supporting Roof and Ceiling Only (33 ksi steel)<sup>a,b</sup>**

MEMBER DESIGNATION	GROUND SNOW LOAD (20 psf)					GROUND SNOW LOAD (30 psf)				
	Building width <sup>c</sup> (feet)					Building width <sup>c</sup> (feet)				
	24	28	32	36	40	24	28	32	36	40
2-350S162-33	2'-11"	2'-4"	—	—	—	2'-5"	—	—	—	—
2-350S162-43	4'-8"	3'-10"	3'-5"	3'-1"	2'-9"	3'-11"	3'-5"	3'-0"	2'-8"	2'-4"
2-350S162-54	5'-3"	4'-9"	4'-4"	4'-1"	3'-8"	4'-10"	4'-4"	4'-0"	3'-8"	3'-4"
2-350S162-68	6'-1"	5'-7"	5'-2"	4'-10"	4'-6"	5'-8"	5'-3"	4'-10"	4'-6"	4'-2"
2-350S162-97	7'-3"	6'-10"	6'-5"	6'-0"	5'-8"	6'-11"	6'-5"	6'-0"	5'-8"	5'-4"
2-550S162-33	4'-5"	3'-9"	3'-1"	2'-6"	—	3'-9"	3'-2"	2'-6"	—	—
2-550S162-43	6'-2"	5'-7"	5'-0"	4'-7"	4'-2"	5'-7"	5'-0"	4'-6"	4'-1"	3'-8"
2-550S162-54	7'-5"	6'-9"	6'-3"	5'-9"	5'-4"	6'-10"	6'-3"	5'-9"	5'-4"	4'-11"
2-550S162-68	6'-7"	7'-11"	7'-4"	6'-10"	6'-5"	8'-0"	7'-4"	6'-10"	6'-5"	6'-0"
2-550S162-97	10'-5"	9'-8"	9'-0"	8'-6"	8'-0"	9'-9"	9'-0"	8'-6"	8'-0"	7'-7"
2-800S162-33	4'-5"	3'-11"	3'-5"	3'-1"	2'-4"	3'-11"	3'-6"	3'-0"	2'-3"	—
2-800S162-43	7'-7"	6'-10"	6'-2"	5'-8"	5'-2"	6'-11"	6'-2"	5'-7"	5'-1"	4'-7"
2-800S162-54	9'-3"	8'-7"	7'-11"	7'-4"	6'-10"	8'-8"	7'-11"	7'-4"	6'-9"	6'-3"
2-800S162-68	10'-7"	9'-10"	9'-4"	8'-10"	8'-5"	9'-11"	9'-4"	8'-10"	8'-4"	7'-11"
2-800S162-97	13'-9"	12'-9"	12'-0"	11'-3"	10'-8"	12'-10"	12'-0"	11'-3"	10'-7"	10'-0"
2-1000S162-43	7'-10"	6'-10"	6'-1"	5'-6"	5'-0"	6'-11"	6'-1"	5'-5"	4'-11"	4'-6"
2-1000S162-54	10'-5"	9'-9"	9'-0"	8'-4"	7'-9"	9'-10"	9'-0"	8'-4"	7'-9"	7'-2"
2-1000S162-68	12'-1"	11'-3"	10'-8"	10'-1"	9'-7"	11'-4"	10'-8"	10'-1"	9'-7"	9'-1"
2-1000S162-97	15'-3"	14'-3"	13'-5"	12'-9"	12'-2"	14'-4"	13'-5"	12'-8"	12'-1"	11'-6"
2-1200S162-54	11'-6"	10'-9"	10'-0"	9'-0"	8'-2"	10'-10"	10'-0"	9'-0"	8'-1"	7'-4"
2-1200S162-68	13'-4"	12'-6"	11'-9"	11'-2"	10'-8"	12'-7"	11'-10"	11'-2"	10'-7"	10'-1"
2-1200S162-97	16'-8"	15'-7"	14'-8"	13'-11"	13'-3"	15'-8"	14'-8"	13'-11"	13'-2"	12'-7"

For SI: 1 inch = 25.4 mm, 1 foot = 304.8 mm, 1 pound per square foot = 0.0479 kPa, 1 pound per square inch = 6.895 kPa.

a. Deflection criterion:  $L/360$  for live loads,  $L/240$  for total loads.

b. Design load assumptions:

Second floor dead load is 12 psf.

Attic live load is 10 psf.

c. Building width is in the direction of horizontal framing members supported by header.

**TABLE R603.6(14)**  
**BACK-TO-BACK HEADER SPANS**  
**Headers Supporting Roof and Ceiling Only (50 ksi steel)<sup>a,b</sup>**

MEMBER DESIGNATION	GROUND SNOW LOAD (20 psf)					GROUND SNOW LOAD (30 psf)				
	Building width <sup>c</sup> (feet)					Building width <sup>c</sup> (feet)				
	24	28	32	36	40	24	28	32	36	40
2-350S162-33	4'-2"	3'-8"	3'-3"	2'-10"	2'-6"	3'-8"	3'-3"	2'-10"	2'-5"	2'-1"
2-350S162-43	5'-5"	5'-0"	4'-6"	4'-2"	3'-10"	5'-0"	4'-7"	4'-2"	3'-10"	3'-6"
2-350S162-54	6'-2"	5'-10"	5'-8"	5'-4"	5'-0"	5'-11"	5'-8"	5'-4"	5'-0"	4'-8"
2-350S162-68	6'-7"	6'-3"	6'-0"	5'-10"	5'-8"	6'-4"	6'-1"	5'-10"	5'-8"	5'-6"
2-350S162-97	7'-3"	6'-11"	6'-8"	6'-5"	6'-3"	7'-0"	6'-8"	6'-5"	6'-3"	6'-0"
2-550S162-33	5'-10"	5'-3"	4'-8"	4'-3"	3'-9"	5'-3"	4'-9"	4'-2"	3'-9"	3'-3"
2-550S162-43	7'-9"	7'-2"	6'-7"	6'-1"	5'-8"	7'-3"	6'-7"	6'-1"	5'-8"	5'-3"
2-550S162-54	8'-9"	8'-5"	8'-1"	7'-9"	7'-5"	8'-6"	8'-1"	7'-9"	7'-5"	6'-11"
2-550S162-68	9'-5"	9'-0"	8'-8"	8'-4"	8'-1"	9'-1"	8'-8"	8'-4"	8'-1"	7'-10"
2-550S162-97	10'-5"	10'-0"	9'-7"	9'-3"	9'-0"	10'-0"	9'-7"	9'-3"	8'-11"	8'-8"
2-800S162-33	4'-5"	3'-11"	3'-5"	3'-1"	2'-10"	3'-11"	3'-6"	3'-1"	2'-9"	2'-6"
2-800S162-43	9'-1"	8'-5"	7'-8"	6'-11"	6'-3"	8'-6"	7'-8"	6'-10"	6'-2"	5'-8"
2-800S162-54	10'-10"	10'-2"	9'-7"	9'-1"	8'-8"	10'-2"	9'-7"	9'-0"	8'-7"	8'-1"
2-800S162-68	12'-8"	11'-10"	11'-2"	10'-7"	10'-1"	11'-11"	11'-2"	10'-7"	10'-0"	9'-7"
2-800S162-97	14'-2"	13'-6"	13'-0"	12'-7"	12'-2"	13'-8"	13'-1"	12'-7"	12'-2"	11'-9"
2-1000S162-43	7'-10"	6'-10"	6'-1"	5'-6"	5'-0"	6'-11"	6'-1"	5'-5"	4'-11"	4'-6"
2-1000S162-54	12'-3"	11'-5"	10'-9"	10'-3"	9'-9"	11'-6"	10'-9"	10'-2"	9'-8"	8'-11"
2-1000S162-68	14'-5"	13'-5"	12'-8"	12'-0"	11'-6"	13'-6"	12'-8"	12'-0"	11'-5"	10'-11"
2-1000S162-97	17'-1"	16'-4"	15'-8"	14'-11"	14'-3"	16'-5"	15'-9"	14'-10"	14'-1"	13'-6"
2-1200S162-54	12'-11"	11'-3"	10'-0"	9'-0"	8'-2"	11'-5"	10'-0"	9'-0"	8'-1"	7'-4"
2-1200S162-68	15'-11"	14'-10"	14'-0"	13'-4"	12'-8"	15'-0"	14'-0"	13'-3"	12'-7"	12'-0"
2-1200S162-97	19'-11"	18'-7"	17'-6"	16'-8"	15'-10"	18'-9"	17'-7"	16'-7"	15'-9"	15'-0"

For SI: 1 inch = 25.4 mm, 1 foot = 304.8 mm, 1 pound per square foot = 0.0479kPa, 1 pound per square inch = 6.895 kPa.

a. Deflection criterion:  $L/360$  for live loads,  $L/240$  for total loads.

b. Design load assumptions:

Roof/ceiling dead load is 12 psf.

Attic live load is 10 psf.

c. Building width is in the direction of horizontal framing members supported by the header



**WALL CONSTRUCTION**

**TABLE R603.6(15)  
BACK-TO-BACK HEADER SPANS  
Headers Supporting Roof and Ceiling Only (33 ksi steel)<sup>a, b</sup>**

MEMBER DESIGNATION	GROUND SNOW LOAD (50 psf)					GROUND SNOW LOAD (70 psf)				
	Building width <sup>c</sup> (feet)					Building width <sup>c</sup> (feet)				
	24	28	32	36	40	24	28	32	36	40
2-350S162-33	—	—	—	—	—	—	—	—	—	—
2-350S162-43	2'-6"	—	—	—	—	—	—	—	—	—
2-350S162-54	3'-6"	3'-1"	2'-8"	2'-4"	2'-0"	2'-7"	2'-1"	—	—	—
2-350S162-68	4'-4"	3'-11"	3'-7"	3'-3"	2'-11"	3'-5"	3'-0"	2'-8"	2'-4"	2'-1"
2-350S162-97	5'-5"	5'-0"	4'-8"	4'-6"	4'-1"	4'-6"	4'-2"	3'-10"	3'-6"	3'-3"
2-550S162-33	—	—	—	—	—	—	—	—	—	—
2-550S162-43	3'-10"	3'-3"	2'-9"	2'-2"	—	2'-6"	—	—	—	—
2-550S162-54	5'-1"	4'-7"	4'-1"	3'-8"	3'-4"	3'-11"	3'-5"	2'-11"	2'-6"	2'-0"
2-550S162-68	6'-2"	5'-8"	5'-2"	4'-9"	4'-5"	5'-0"	4'-6"	4'-1"	3'-9"	3'-4"
2-550S162-97	7'-9"	7'-2"	6'-8"	6'-3"	5'-11"	6'-6"	6'-0"	5'-7"	5'-2"	4'-10"
2-800S162-33	—	—	—	—	—	—	—	—	—	—
2-800S162-43	4'-10"	4'-1"	3'-6"	2'-11"	2'-3"	3'-3"	2'-5"	—	—	—
2-800S162-54	6'-6"	5'-10"	5'-3"	4'-9"	4'-4"	5'-1"	4'-6"	3'-11"	3'-4"	2'-10"
2-800S162-68	8'-1"	7'-5"	6'-10"	6'-4"	5'-11"	6'-8"	6'-1"	5'-6"	5'-0"	4'-7"
2-800S162-97	10'-3"	9'-7"	8'-11"	8'-5"	7'-11"	8'-8"	8'-0"	7'-6"	7'-0"	6'-7"
2-1000S162-43	4'-8"	4'-1"	3'-8"	3'-4"	2'-8"	3'-6"	2'-10"	—	—	—
2-1000S162-54	7'-5"	6'-8"	6'-1"	5'-6"	5'-0"	5'-10"	5'-1"	4'-6"	3'-11"	3'-4"
2-1000S162-68	9'-4"	8'-7"	7'-11"	7'-4"	6'-10"	7'-8"	7'-0"	6'-4"	5'-10"	5'-4"
2-1000S162-97	11'-9"	11'-0"	10'-5"	9'-11"	9'-5"	10'-3"	9'-7"	8'-11"	8'-4"	7'-10"
2-1200S162-54	7'-8"	6'-9"	6'-1"	5'-6"	5'-0"	5'-10"	5'-1"	4'-7"	4'-1"	3'-9"
2-1200S162-68	10'-4"	9'-6"	8'-10"	8'-2"	7'-7"	8'-7"	7'-9"	7'-1"	6'-6"	6'-0"
2-1200S162-97	12'-10"	12'-1"	11'-5"	10'-10"	10'-4"	11'-2"	10'-6"	9'-11"	9'-5"	9'-0"

For SI: 1 inch = 25.4 mm, 1 foot = 304.8 mm, 1 pound per square foot = 0.0479 kPa, 1 pound per square inch = 6.895 kPa.

a. Deflection criterion:  $L/360$  for live loads,  $L/240$  for total loads.

b. Design load assumptions:

Roof/ceiling dead load is 12 psf.

Attic live load is 10 psf.

c. Building width is in the direction of horizontal framing members supported by the header

**TABLE R603.6(16)**  
**BACK-TO-BACK HEADER SPANS**  
**Headers Supporting Roof and Ceiling Only (50 ksi steel)<sup>a, b</sup>**

MEMBER DESIGNATION	GROUND SNOW LOAD (50 psf)					GROUND SNOW LOAD (70 psf)				
	Building width <sup>c</sup> (feet)					Building width <sup>c</sup> (feet)				
	24	28	32	36	40	24	28	32	36	40
2-350S162-33	2'-3"	—	—	—	—	—	—	—	—	—
2-350S162-43	3'-8"	3'-3"	2'-10"	2'-6"	2'-2"	2'-8"	2'-3"	—	—	—
2-350S162-54	4'-9"	4'-4"	4'-0"	3'-8"	3'-8"	3'-10"	3'-5"	3'-1"	2'-9"	2'-5"
2-350S162-68	5'-7"	5'-4"	5'-2"	4'-11"	4'-7"	5'-1"	4'-8"	4'-3"	3'-11"	3'-8"
2-350S162-97	6'-2"	5'-11"	5'-8"	5'-6"	5'-4"	5'-8"	5'-5"	5'-3"	5'-0"	4'-11"
2-550S162-33	3'-6"	2'-10"	2'-3"	—	—	2'-0"	—	—	—	—
2-550S162-43	5'-5"	4'-10"	4'-4"	3'-11"	3'-6"	4'-2"	3'-8"	3'-2"	2'-8"	2'-3"
2-550S162-54	7'-2"	6'-6"	6'-0"	5'-7"	5'-2"	5'-10"	5'-3"	4'-10"	4'-5"	4'-0"
2-550S162-68	8'-0"	7'-8"	7'-3"	6'-11"	6'-6"	7'-2"	6'-7"	6'-1"	5'-8"	5'-4"
2-550S162-97	8'-11"	8'-6"	8'-2"	7'-11"	7'-8"	8'-1"	7'-9"	7'-6"	7'-2"	6'-11"
2-800S162-33	2'-8"	2'-4"	2'-1"	1'-11"	—	2'-0"	—	—	—	—
2-800S162-43	5'-10"	5'-2"	4'-7"	4'-2"	3'-10"	4'-5"	3'-11"	3'-6"	3'-2"	2'-9"
2-800S162-54	8'-4"	7'-8"	7'-1"	6'-7"	6'-1"	6'-10"	6'-3"	5'-8"	5'-2"	4'-9"
2-800S162-68	9'-9"	9'-2"	8'-8"	8'-3"	7'-10"	8'-6"	7'-11"	7'-4"	6'-10"	6'-5"
2-800S162-97	12'-1"	11'-7"	11'-2"	10'-8"	10'-2"	11'-0"	10'-4"	9'-9"	9'-3"	8'-10"
2-1000S162-43	4'-8"	4'-1"	2'-8"	3'-4"	3'-0"	3'-6"	10'-1"	2'-9"	2'-6"	2'-3"
2-1000S162-54	9'-3"	8'-2"	7'-3"	6'-7"	6'-0"	7'-0"	6'-2"	5'-6"	5'-0"	4'-6"
2-1000S162-68	11'-1"	10'-5"	9'-10"	9'-4"	8'-11"	9'-8"	9'-1"	8'-5"	7'-10"	7'-4"
2-1000S162-97	13'-9"	12'-11"	12'-2"	11'-7"	11'-1"	11'-11"	11'-3"	10'-7"	10'-1"	9'-7"
2-1200S162-54	7'-8"	6'-9"	6'-1"	5'-6"	5'-0"	5'-10"	5'-1"	4'-7"	4'-1"	3'-9"
2-1200S162-68	12'-3"	11'-6"	10'-11"	10'-4"	9'-11"	10'-8"	10'-0"	9'-2"	8'-4"	7'-7"
2-1200S162-97	15'-4"	14'-5"	13'-7"	12'-11"	12'-4"	13'-4"	12'-6"	11'-10"	11'-3"	10'-9"

For SI: 1 inch = 25.4 mm, 1 foot = 304.8 mm, 1 pound per square foot = 0.0479 kPa, 1 pound per square inch = 6.895 kPa.

a. Deflection criterion:  $L/360$  for live loads,  $L/240$  for total loads.

b. Design load assumptions:

Roof/ceiling dead load is 12 psf.

Attic live load is 10 psf.

c. Building width is in the direction of horizontal framing members supported by the header

**WALL CONSTRUCTION**

**TABLE R603.6(17)**  
**BACK-TO-BACK HEADER SPANS**  
**Headers Supporting One Floor, Roof and Ceiling (33 ksi steel)<sup>a, b</sup>**

MEMBER DESIGNATION	GROUND SNOW LOAD (20 psf)					GROUND SNOW LOAD (30 psf)				
	Building width <sup>c</sup> (feet)					Building width <sup>c</sup> (feet)				
	24	28	32	36	40	24	28	32	36	40
2-350S162-33	—	—	—	—	—	—	—	—	—	—
2-350S162-43	2'-2"	—	—	—	—	2'-1"	—	—	—	—
2-350S162-54	3'-3"	2'-9"	2'-5"	2'-0"	—	3'-2"	2'-9"	2'-4"	—	—
2-350S162-68	4'-4"	3'-8"	3'-3"	2'-11"	2'-8"	4'-0"	3'-7"	3'-2"	2'-11"	2'-7"
2-350S162-97	5'-2"	4'-9"	4'-4"	4'-1"	3'-9"	5'-1"	4'-8"	4'-4"	4'-0"	3'-9"
2-550S162-33	—	—	—	—	—	—	—	—	—	—
2-550S162-43	3'-6"	2'-10"	2'-3"	—	—	3'-5"	2'-9"	2'-2"	—	—
2-550S162-54	4'-9"	4'-2"	3'-9"	3'-3"	2'-10"	4'-8"	4'-1"	3'-8"	3'-2"	2'-9"
2-550S162-68	5'-10"	5'-3"	4'-10"	4'-5"	4'-1"	5'-9"	5'-3"	4'-9"	4'-4"	4'-0"
2-550S162-97	7'-4"	6'-9"	6'-4"	5'-11"	5'-6"	7'-3"	6'-9"	6'-3"	5'-10"	5'-5"
2-800S162-33	—	—	—	—	—	—	—	—	—	—
2-800S162-43	4'-4"	3'-8"	2'-11"	2'-3"	—	4'-3"	3'-6"	2'-10"	2'-1"	—
2-800S162-54	6'-1"	5'-5"	4'-10"	4'-4"	3'-10"	6'-0"	5'-4"	4'-9"	4'-3"	3'-9"
2-800S162-68	7'-8"	7'-0"	6'-5"	5'-11"	5'-5"	7'-7"	6'-11"	6'-4"	5'-10"	5'-4"
2-800S162-97	9'-10"	9'-1"	8'-5"	7'-11"	7'-5"	9'-8"	8'-11"	8'-4"	7'-10"	7'-4"
2-1000S162-43	4'-4"	3'-9"	3'-4"	2'-8"	—	4'-3"	3'-8"	3'-3"	2'-6"	—
2-1000S162-54	6'-11"	6'-2"	5'-6"	5'-0"	4'-5"	6'-10"	6'-1"	5'-5"	4'-10"	4'-4"
2-1000S162-68	8'-10"	8'-1"	7'-5"	6'-10"	6'-4"	8'-8"	7'-11"	7'-3"	6'-8"	6'-2"
2-1000S162-97	11'-3"	10'-7"	9'-11"	9'-5"	8'-10"	11'-2"	10'-5"	9'-10"	9'-3"	8'-9"
2-1200S162-54	7'-1"	6'-2"	5'-6"	5'-0"	4'-6"	6'-11"	6'-1"	5'-5"	4'-10"	4'-5"
2-1200S162-68	9'-10"	9'-0"	8'-3"	7'-7"	7'-0"	9'-8"	8'-10"	8'-1 <sup>11</sup>	7'-6"	6'-11"
2-1200S162-97	12'-4"	11'-7"	10'-11"	10'-4"	9'-10"	12'-3"	11'-5"	10'-9"	10'-3"	9'-9"

For SI: 1 inch = 25.4 mm, 1 foot = 304.8 mm, 1 pound per square foot = 0.0479kPa, 1 pound per square inch = 6.895 kPa.

a. Deflection criterion:  $L/360$  for live loads,  $L/240$  for total loads.

b. Design load assumptions:

Second floor dead load is 10 psf.

Roof/ceiling dead load is 12 psf.

Second floor live load is 30 psf.

Attic live load is 10 psf.

c. Building width is in the direction of horizontal framing members supported by the header

**TABLE R603.6(18)**  
**BACK-TO-BACK HEADER SPANS**  
**Headers Supporting One Floor, Roof and Ceiling (50 ksi steel)<sup>a, b</sup>**

MEMBER DESIGNATION	GROUND SNOW LOAD (20 psf)					GROUND SNOW LOAD (30 psf)				
	Building width <sup>c</sup> (feet)					Building width <sup>c</sup> (feet)				
	24	28	32	36	40	24	28	32	36	40
2-350S162-33	—	—	—	—	—	—	—	—	—	—
2-350S162-43	3'-4"	2'-11"	2'-6"	2'-2"	—	3'-3"	2'-10"	2'-5"	2'-1"	—
2-350S162-54	4'-6"	4'-1"	3'-8"	3'-4"	3'-0"	4'-5"	4'-0"	3'-7"	3'-3"	2'-11"
2-350S162-68	5'-0"	4'-9"	4'-7"	4'-5"	4'-3"	4'-11"	4'-8"	4'-6"	4'-4"	4'-2"
2-350S162-97	5'-6"	5'-3"	5'-1"	4'-11"	4'-9"	5'-5"	5'-2"	5'-0"	4'-10"	4'-8"
2-550S162-33	3'-1"	2'-5"	—	—	—	3'-0"	2'-3"	—	—	—
2-550S162-43	5'-1"	4'-6"	4'-0"	3'-6"	3'-1"	4'-11"	4'-5"	3'-11"	3'-5"	3'-0"
2-550S162-54	6'-8"	6'-2"	5'-7"	5'-2"	4'-9"	6'-6"	6'-0"	5'-6"	5'-1"	4'-8"
2-550S162-68	7'-2"	6'-10"	6'-7"	6'-4"	6'-1"	7'-0"	6'-9"	6'-6"	6'-3"	6'-0"
2-550S162-97	7'-11"	7'-7"	7'-3"	7'-0"	6'-10"	7'-9"	7'-5"	7'-2"	6'-11"	6'-9"
2-800S162-33	2'-5"	2'-2"	1'-11"	—	—	2'-5"	2'-1"	1'-10"	—	—
2-800S162-43	5'-5"	4'-9"	4'-3"	3'-9"	3'-5"	5'-3"	4'-8"	4'-1"	3'-9"	3'-5"
2-800S162-54	7'-11"	7'-2"	6'-7"	6'-1"	5'-7"	7'-9"	7'-1"	6'-6"	6'-0"	5'-6"
2-800S162-68	9'-5"	8'-9"	8'-3"	7'-9"	7'-4"	9'-3"	8'-8"	8'-2"	7'-8"	7'-3"
2-800S162-97	10'-9"	10'-3"	9'-11"	9'-7"	9'-3"	10'-7"	10'-1"	9'-9"	9'-5"	9'-1"
2-1000S162-43	4'-4"	3'-9"	3'-4"	3'-0"	2'-9"	4'-3"	3'-8"	3'-3"	2'-11"	2'-8"
2-1000S162-54	8'-6"	7'-5"	6'-8"	6'-0"	5'-5"	8'-4"	7'-4"	6'-6"	5'-10"	5'-4"
2-1000S162-68	10'-8"	10'-0"	9'-5"	8'-11"	8'-4"	10'-7"	9'-10"	9'-4"	8'-9"	8'-3"
2-1000S162-97	12'-11"	12'-4"	11'-8"	11'-1"	10'-6"	12'-9"	12'-2"	11'-6"	10'-11"	10'-5"
2-1200S162-54	7'-1"	6'-2"	5'-6"	5'-0"	4'-6"	6'-11"	6'-1"	5'-5"	4'-10"	4'-5"
2-1200S162-68	11'-9"	11'-0"	10'-5"	9'-10"	9'-1"	11'-8"	10'-11"	10'-3"	9'-9"	8'-11"
2-1200S162-97	14'-9"	13'-9"	13'-0"	12'-4"	11'-9"	14'-7"	13'-8"	12'-10"	12'-3"	11'-8"

For SI: 1 inch = 25.4 mm, 1 foot = 304.8 mm, 1 pound per square foot = 0.0479 kPa, 1 pound per square inch = 6.895 kPa.

a. Deflection criterion:  $L/360$  for live loads,  $L/240$  for total loads.

b. Design load assumptions:

Second floor dead load is 10 psf.

Roof/ceiling dead load is 12 psf.

Second floor live load is 30 psf.

Attic live load is 10 psf.

c. Building width is in the direction of horizontal framing members supported by the header

**WALL CONSTRUCTION**

**TABLE R603.6(19)  
BACK-TO-BACK HEADER SPANS  
Headers Supporting One Floor, Roof and Ceiling (33 ksi steel)<sup>a, b</sup>**

MEMBER DESIGNATION	GROUND SNOW LOAD (50 psf)					GROUND SNOW LOAD (70 psf)				
	Building width <sup>c</sup> (feet)					Building width <sup>c</sup> (feet)				
	24	28	32	36	40	24	28	32	36	40
2-350S162-33	—	—	—	—	—	—	—	—	—	—
2-350S162-43	—	—	—	—	—	—	—	—	—	—
2-350S162-54	2'-4"	—	—	—	—	—	—	—	—	—
2-350S162-68	3'-3"	2'-10"	2'-6"	2'-2"	—	2'-7"	2'-2"	—	—	—
2-350S162-97	4'-4"	4'-0"	3'-8"	3'-4"	3'-1"	3'-9"	3'-4"	3'-1"	2'-9"	2'-6"
2-550S162-33	—	—	—	—	—	—	—	—	—	—
2-550S162-43	2'-2"	—	—	—	—	—	—	—	—	—
2-550S162-54	3'-8"	3'-2"	2'-8"	2'-3"	—	2'-10"	2'-3"	—	—	—
2-550S162-68	4'-9"	4'-4"	3'-11"	3'-6"	3'-2"	4'-0"	3'-6"	3'-1"	2'-9"	2'-4"
2-550S162-97	6'-3"	5'-9"	5'-4"	5'-0"	4'-8"	5'-6"	5'-0"	4'-7"	4'-3"	3'-11"
2-800S162-33	—	—	—	—	—	—	—	—	—	—
2-800S162-43	2'-11"	2'-0"	—	—	—	—	—	—	—	—
2-800S162-54	4'-9"	4'-2"	3'-7"	3'-1"	2'-7"	3'-9"	3'-1"	2'-5"	—	—
2-800S162-68	6'-4"	5'-9"	5'-3"	4'-9"	4'-4"	5'-4"	4'-9"	4'-3"	3'-10"	3'-4"
2-800S162-97	8'-5"	7'-9"	7'-3"	6'-9"	6'-4"	7'-4"	6'-9"	6'-3"	5'-10"	5'-5"
2-1000S162-43	3'-4"	2'-5"	—	—	—	—	—	—	—	—
2-1000S162-54	5'-6"	4'-10"	4'-2"	3'-7"	3'-0"	4'-4"	3'-7"	2'-11"	2'-2"	—
2-1000S162-68	7'-4"	6'-8"	6'-1"	5'-7"	5'-1"	6'-3"	5'-7"	5'-0"	4'-5"	4'-0"
2-1000S162-97	9'-11"	8'-3"	8'-7"	8'-1"	7'-7"	8'-9"	8'-1"	7'-6"	7'-0"	6'-6"
2-1200S162-54	5'-6"	4'-10"	4'-4"	3'-11"	3'-5"	4'-5"	3'-11"	3'-3"	2'-6"	—
2-1200S162-68	8'-2"	7'-5"	6'-9"	6'-3"	5'-8"	6'-11"	6'-3"	5'-7"	5'-0"	4'-6"
2-1200S162-97	10'-10"	10'-2"	9'-8"	9'-2"	8'-7"	9'-9"	9'-2"	8'-6"	7'-11"	7'-5"

For SI: 1 inch = 25.4 mm, 1 foot = 304.8 mm, 1 pound per square foot = 0.0479kPa, 1 pound per square inch = 6.895 kPa.

a. Deflection criterion:  $L/360$  for live loads,  $L/240$  for total loads.

b. Design load assumptions:

Second floor dead load is 10 psf.

Roof/ceiling dead load is 12 psf.

Second floor live load is 30 psf.

Attic live load is 10 psf.

c. Building width is in the direction of horizontal framing members supported by the header

**TABLE R603.6(20)**  
**BACK-TO-BACK HEADER SPANS**  
**Headers Supporting One Floor, Roof and Ceiling (50 ksi steel)<sup>a, b</sup>**

MEMBER DESIGNATION	GROUND SNOW LOAD (50 psf)					GROUND SNOW LOAD (70 psf)				
	Building width <sup>c</sup> (feet)					Building width <sup>c</sup> (feet)				
	24	28	32	36	40	24	28	32	36	40
2-350S162-33	—	—	—	—	—	—	—	—	—	—
2-350S162-43	2'-6"	2'-0"	—	—	—	—	—	—	—	—
2-350S162-54	3'-8"	3'-3"	2'-11"	2'-7"	2'-3"	3'-0"	2'-7"	2'-2"	—	—
2-350S162-68	4'-7"	4'-5"	4'-1"	3'-9"	3'-6"	4'-2"	3'-9"	3'-5"	3'-1"	2'-10"
2-350S162-97	5'-1"	4'-10"	4'-8"	4'-6"	4'-5"	4'-10"	4'-7"	4'-5"	4'-3"	4'-1"
2-550S162-33	—	—	—	—	—	—	—	—	—	—
2-550S162-43	3'-11"	3'-5"	2'-11"	2'-5"	—	3'-0"	2'-5"	—	—	—
2-550S162-54	5'-7"	5'-0"	4'-7"	4'-2"	3'-9"	4'-8"	4'-2"	3'-8"	3'-3"	2'-11"
2-550S162-68	6'-7"	6'-4"	5'-11"	5'-6"	5'-1"	6'-0"	5'-6"	5'-0"	4'-7"	4'-3"
2-550S162-97	7'-4"	7'-0"	6'-9"	6'-6"	6'-4"	6'-11"	6'-8"	6'-5"	6'-2"	6'-0"
2-800S162-33	1'-11"	—	—	—	—	—	—	—	—	—
2-800S162-43	4'-2"	3'-8"	3'-4"	3'-0"	2'-6"	3'-5"	3'-0"	2'-4"	—	—
2-800S162-54	6'-7"	5'-11"	5'-5"	4'-11"	4'-6"	5'-6"	4'-11"	4'-5"	3'-11"	3'-6"
2-800S162-68	8'-3"	7'-8"	7'-1"	6'-8"	6'-2"	7'-3"	6'-7"	6'-1"	5'-7"	5'-2"
2-800S162-97	9'-11"	9'-6"	9'-2"	8'-10"	8'-7"	9'-5"	9'-0"	8'-7"	8'-2"	7'-9"
2-1000S162-43	3'-4"	2'-11"	2'-7"	2'-5"	2'-2"	2'-8"	2'-5"	2'-2"	1'-11"	—
2-1000S162-54	6'-7"	5'-10"	5'-3"	4'-9"	4'-4"	5'-4"	4'-9"	4'-3"	3'-10"	3'-6"
2-1000S162-68	9'-4"	8'-9"	8'-1"	7'-7"	7'-1"	8'-3"	7'-7"	6'-11"	6'-5"	5'-11"
2-1000S162-97	11'-7"	10'-11"	10'-4"	9'-10"	9'-5"	10'-5"	9'-10"	9'-3"	8'-10"	8'-5"
2-1200S162-54	5'-6"	4'-10"	4'-4"	3'-11"	3'-7"	4'-5"	3'-11"	3'-6"	3'-2"	2'-11"
2-1200S162-68	10'-4"	9'-8"	8'-8"	7'-11"	7'-2"	8'-11"	7'-11"	7'-1"	6'-5"	5'-10"
2-1200S162-97	12'-11"	12'-2"	11'-6"	11'-0"	10'-6"	11'-8"	11'-0"	10'-5"	9'-10"	9'-5"

For SI: 1 inch = 25.4 mm, 1 foot = 304.8 mm, 1 pound per square foot = 0.0479 kPa, 1 pound per square inch = 6.895 kPa.

a. Deflection criterion:  $L/360$  for live loads,  $L/240$  for total loads.

b. Design load assumptions:

Second floor dead load is 10 psf.

Roof/ceiling dead load is 12 psf.

Second floor live load is 30 psf.

Attic live load is 10 psf.

c. Building width is in the direction of horizontal framing members supported by the header

WALL CONSTRUCTION

**TABLE R603.6(21)**  
**BACK-TO-BACK HEADER SPANS**  
**Headers Supporting Two Floors, Roof and Ceiling (33 ksi steel)<sup>a, b</sup>**

MEMBER DESIGNATION	GROUND SNOW LOAD (20 psf)					GROUND SNOW LOAD (30 psf)				
	Building width <sup>c</sup> (feet)					Building width <sup>c</sup> (feet)				
	24	28	32	36	40	24	28	32	36	40
2-350S162-33	—	—	—	—	—	—	—	—	—	—
2-350S162-43	—	—	—	—	—	—	—	—	—	—
2-350S162-54	—	—	—	—	—	—	—	—	—	—
2-350S162-68	2'-5"	—	—	—	—	2'-4"	—	—	—	—
2-350S162-97	3'-6"	3'-2"	2'-10"	2'-6"	2'-3"	3'-6"	3'-1"	2'-9"	2'-6"	2'-3"
2-550S162-33	—	—	—	—	—	—	—	—	—	—
2-550S162-43	—	—	—	—	—	—	—	—	—	—
2-550S162-54	2'-6"	—	—	—	—	2'-5"	—	—	—	—
2-550S162-68	3'-9"	3'-3"	2'-9"	2'-4"	—	3'-8"	3'-2"	2'-9"	2'-4"	—
2-550S162-97	5'-3"	4'-9"	4'-4"	3'-11"	3'-8"	5'-2"	4'-8"	4'-3"	3'-11"	3'-7"
2-800S162-33	—	—	—	—	—	—	—	—	—	—
2-800S162-43	—	—	—	—	—	—	—	—	—	—
2-800S162-54	3'-5"	2'-8"	—	—	—	3'-4"	2'-7"	—	—	—
2-800S162-68	5'-1"	4'-5"	3'-11"	3'-4"	2'-11"	5'-0"	4'-4"	3'-10"	3'-4"	2'-10"
2-800S162-97	7'-0"	6'-5"	5'-11"	5'-5"	5'-0"	7'-0"	6'-4"	5'-10"	5'-5"	5'-0"
2-1000S162-43	—	—	—	—	—	—	—	—	—	—
2-1000S162-54	3'-11"	3'-1"	2'-3"	—	—	3'-10"	3'-0"	2'-2"	—	—
2-1000S162-68	5'-10"	5'-2"	4'-6"	4'-0"	3'-5"	5'-9"	5'-1"	4'-6"	3'-11"	3'-4"
2-1000S162-97	8'-5"	7'-8"	7'-1"	6'-6"	6'-1"	8'-4"	7'-7"	7'-0"	6'-6"	6'-0"
2-1200S162-54	4'-2"	3'-6"	2'-7"	—	—	4'-1"	3'-5"	2'-6"	—	—
2-1200S162-68	6'-6"	5'-9"	5'-1"	4'-6"	3'-11"	6'-6"	5'-8"	5'-0"	4'-5"	3'-10"
2-1200S162-97	9'-5"	8'-8"	8'-0"	7'-5"	6'-11"	9'-5"	8'-7"	7'-11"	7'-4"	6'-10"

For SI: 1 inch = 25.4 mm, 1 foot = 304.8 mm, 1 pound per square foot = 0.0479 kPa, 1 pound per square inch = 6.895 kPa.

a. Deflection criterion:  $L/360$  for live loads,  $L/240$  for total loads.

b. Design load assumptions:

Second floor dead load is 10 psf.

Roof/ceiling dead load is 12 psf.

Second floor live load is 40 psf.

Third floor live load is 30 psf.

Attic live load is 10 psf.

c. Building width is in the direction of horizontal framing members supported by the header

**TABLE R603.6(22)**  
**BACK-TO-BACK HEADER SPANS**  
**Headers Supporting Two Floors, Roof and Ceiling (50 ksi steel)<sup>a, b</sup>**

MEMBER DESIGNATION	GROUND SNOW LOAD (20 psf)					GROUND SNOW LOAD (30 psf)				
	Building width <sup>c</sup> (feet)					Building width <sup>c</sup> (feet)				
	24	28	32	36	40	24	28	32	36	40
2-350S162-33	—	—	—	—	—	—	—	—	—	—
2-350S162-43	—	—	—	—	—	—	—	—	—	—
2-350S162-54	2'-9"	2'-3"	—	—	—	2'-8"	2'-3"	—	—	—
2-350S162-68	3'-11"	3'-6"	3'-2"	2'-10"	2'-6"	3'-11"	3'-6"	3'-1"	2'-9"	2'-6"
2-350S162-97	4'-9"	4'-6"	4'-4"	4'-1"	3'-10"	4'-8"	4'-6"	4'-4"	4'-1"	3'-9"
2-550S162-33	—	—	—	—	—	—	—	—	—	—
2-550S162-43	2'-9"	2'-0"	—	—	—	2'-8"	—	—	—	—
2-550S162-54	4'-5"	3'-10"	3'-4"	2'-11"	2'-5"	4'-4"	3'-9"	3'-3"	2'-10"	2'-5"
2-550S162-68	5'-8"	5'-2"	4'-8"	4'-3"	3'-11"	5'-8"	5'-1"	4'-8"	4'-3"	3'-10"
2-550S162-97	6'-10"	6'-6"	6'-3"	6'-0"	5'-7"	6'-9"	6'-5"	6'-3"	5'-11"	5'-6"
2-800S162-33	—	—	—	—	—	—	—	—	—	—
2-800S162-43	3'-2"	2'-7"	—	—	—	3'-1"	2'-6"	—	—	—
2-800S162-54	5'-2"	4'-7"	4'-0"	3'-6"	3'-0"	5'-2"	4'-6"	3'-11"	3'-5"	2'-11"
2-800S162-68	6'-11"	6'-3"	5'-8"	5'-2"	4'-9"	6'-10"	6'-2"	5'-7"	5'-2"	4'-8"
2-800S162-97	9'-3"	8'-8"	8'-3"	7'-9"	7'-4"	9'-2"	8'-8"	8'-2"	7'-9"	7'-4"
2-1000S162-43	2'-6"	2'-2"	2'-0"	—	—	2'-6"	2'-2"	1'-11"	—	—
2-1000S162-54	5'-0"	4'-4"	3'-11"	3'-6"	3'-2"	4'-11"	4'-4"	3'-10"	3'-6"	3'-2"
2-1000S162-68	7'-10"	7'-2"	6'-6"	5'-11"	5'-6"	7'-9"	7'-1"	6'-5"	5'-11"	5'-5"
2-1000S162-97	10'-1"	9'-5"	8'-11"	8'-6"	8'-0"	10'-0"	9'-5"	8'-10"	8'-5"	7'-11"
2-1200S162-54	—	—	—	—	—	—	—	—	—	—
2-1200S162-68	7'-4"	6'-8"	6'-1"	5'-6"	5'-1"	7'-3"	6'-7"	6'-0"	5'-6"	5'-0"
2-1200S162-97	9'-5"	8'-8"	8'-1"	7'-6"	7'-1"	9'-4"	8'-8"	8'-0"	7'-6"	7'-0"

For SI: 1 inch = 25.4 mm, 1 foot = 304.8 mm, 1 pound per square foot = 0.0479 kPa, 1 pound per square inch = 6.895 kPa.

a. Deflection criterion:  $L/360$  for live loads,  $L/240$  for total loads.

b. Design load assumptions:

Second floor dead load is 10 psf.

Roof/ceiling dead load is 12 psf.

Second floor live load is 40 psf.

Third floor live load is 30 psf.

Attic live load is 10 psf.

c. Building width is in the direction of horizontal framing members supported by the header



**TABLE R603.6(23)**  
**BACK-TO-BACK HEADER SPANS**  
**Headers Supporting Two Floors, Roof and Ceiling (33 ksi steel)<sup>a, b</sup>**

MEMBER DESIGNATION	GROUND SNOW LOAD (50 psf)					GROUND SNOW LOAD (70 psf)				
	Building width <sup>c</sup> (feet)					Building width <sup>c</sup> (feet)				
	24	28	32	36	40	24	28	32	36	40
2-350S162-33	—	—	—	—	—	—	—	—	—	—
2-350S162-43	—	—	—	—	—	—	—	—	—	—
2-350S162-54	—	—	—	—	—	—	—	—	—	—
2-350S162-68	2'-2"	—	—	—	—	—	—	—	—	—
2-350S162-97	3'-3"	3'-0"	2'-8"	2'-4"	2'-1"	3'-1"	2'-9"	2'-6"	2'-2"	—
2-550S162-33	—	—	—	—	—	—	—	—	—	—
2-550S162-43	—	—	—	—	—	—	—	—	—	—
2-550S162-54	2'-2"	—	—	—	—	—	—	—	—	—
2-550S162-68	3'-6"	3'-0"	2'-6"	2'-1"	—	3'-2"	2'-9"	2'-3"	—	—
2-550S162-97	5'-0"	4'-6"	4'-1"	3'-9"	3'-5"	4'-8"	4'-3"	3'-11"	3'-7"	3'-3"
2-800S162-33	—	—	—	—	—	—	—	—	—	—
2-800S162-43	—	—	—	—	—	—	—	—	—	—
2-800S162-54	3'-0"	2'-3"	—	—	—	2'-7"	—	—	—	—
2-800S162-68	4'-9"	4'-2"	3'-7"	3'-1"	2'-7"	4'-5"	3'-10"	3'-3"	2'-9"	2'-3"
2-800S162-97	6'-9"	6'-1"	5'-7"	5'-2"	4'-9"	6'-4"	5'-10"	5'-4"	4'-11"	4'-7"
2-1000S162-43	—	—	—	—	—	—	—	—	—	—
2-1000S162-54	3'-6"	2'-8"	—	—	—	3'-1"	2'-2"	—	—	—
2-1000S162-68	5'-6"	4'-10"	4'-2"	3'-7"	3'-1"	5'-1"	4'-6"	3'-10"	3'-4"	2'-9"
2-1000S162-97	8'-0"	7'-4"	6'-9"	6'-3"	5'-9"	7'-7"	7'-0"	6'-5"	5'-11"	5'-6"
2-1200S162-54	3'-11"	3'-0"	2'-0"	—	—	3'-5"	2'-6"	—	—	—
2-1200S162-68	6'-2"	5'-5"	4'-9"	4'-1"	3'-6"	5'-9"	5'-0"	4'-4"	3'-9"	3'-2"
2-1200S162-97	9'-1"	8'-4"	7'-8"	7'-1"	6'-7"	8'-8"	7'-11"	7'-4"	6'-9"	6'-3"

For SI: 1 inch = 25.4 mm, 1 foot = 304.8 mm, 1 pound per square foot = 0.0479 kPa, 1 pound per square inch = 6.895 kPa.

a. Deflection criterion:  $L/360$  for live loads,  $L/240$  for total loads.

b. Design load assumptions:

Second floor dead load is 10 psf.

Roof/ceiling dead load is 12 psf.

Second floor live load is 40 psf.

Third floor live load is 30 psf.

Attic live load is 10 psf.

c. Building width is in the direction of horizontal framing members supported by the header

**TABLE R603.6(24)**  
**BACK-TO-BACK HEADER SPANS**  
**Headers Supporting Two Floors, Roof and Ceiling (50 ksi steel)<sup>a, b</sup>**

MEMBER DESIGNATION	GROUND SNOW LOAD (50 psf)					GROUND SNOW LOAD (70 psf)				
	Building width <sup>c</sup> (feet)					Building width <sup>c</sup> (feet)				
	24	28	32	36	40	24	28	32	36	40
2-350S162-33	—	—	—	—	—	—	—	—	—	—
2-350S162-43	—	—	—	—	—	—	—	—	—	—
2-350S162-54	2'-6"	2'-1"	—	—	—	2'-3"	—	—	—	—
2-350S162-68	3'-9"	3'-4"	2'-11"	2'-7"	2'-4"	3'-6"	3'-1"	2'-9"	2'-5"	2'-2"
2-350S162-97	4'-6"	4'-4"	4'-2"	3'-11"	3'-8"	4'-4"	4'-2"	4'-0"	3'-9"	3'-6"
2-550S162-33	—	—	—	—	—	—	—	—	—	—
2-550S162-43	2'-5"	—	—	—	—	—	—	—	—	—
2-550S162-54	4'-1"	3'-7"	3'-1"	2'-7"	2'-2"	3'-10"	3'-3"	2'-10"	2'-4"	—
2-550S162-68	5'-5"	4'-11"	4'-5"	4'-0"	3'-8"	5'-1"	4'-7"	4'-2"	3'-10"	3'-5"
2-550S162-97	6'-5"	6'-2"	5'-11"	5'-9"	5'-4"	6'-3"	6'-0"	5'-9"	5'-6"	5'-2"
2-800S162-33	—	—	—	—	—	—	—	—	—	—
2-800S162-43	2'-11"	2'-2"	—	—	—	2'-6"	—	—	—	—
2-800S162-54	4'-11"	4'-3"	3'-8"	3'-2"	2'-8"	4'-6"	3'-11"	3'-5"	2'-11"	2'-4"
2-800S162-68	6'-7"	5'-11"	5'-4"	4'-11"	4'-6"	6'-2"	5'-7"	5'-1"	4'-8"	4'-3"
2-800S162-97	8'-9"	8'-5"	7'-11"	7'-6"	7'-0"	8'-5"	8'-1"	7'-9"	7'-3"	6'-10"
2-1000S162-43	2'-4"	2'-1"	—	—	—	2'-2"	1'-11"	—	—	—
2-1000S162-54	4'-8"	4'-1"	3'-8"	3'-3"	3'-0"	4'-4"	3'-10"	3'-5"	3'-1"	2'-9"
2-1000S162-68	7'-6"	6'-9"	6'-2"	5'-8"	5'-2"	7'-1"	6'-5"	5'-10"	5'-4"	4'-11"
2-1000S162-97	9'-9"	9'-2"	8'-7"	8'-2"	7'-8"	9'-5"	8'-10"	8'-5"	7'-11"	7'-5"
2-1200S162-54	—	—	—	—	—	—	—	—	—	—
2-1200S162-68	7'-0"	6'-4"	5'-9"	5'-3"	4'-9"	6'-7"	6'-0"	5'-5"	5'-0"	4'-6"
2-1200S162-97	9'-1"	8'-4"	7'-9"	7'-3"	6'-9"	8'-8"	8'-0"	7'-6"	7'-0"	6'-7"

For SI: 1 inch = 25.4 mm, 1 foot = 304.8 mm, 1 pound per square foot = 0.0479 kPa, 1 pound per square inch = 6.895 kPa.

a. Deflection criterion:  $L/360$  for live loads,  $L/240$  for total loads.

b. Design load assumptions:

Second floor dead load is 10 psf.

Roof/ceiling dead load is 12 psf.

Second floor live load is 40 psf.

Third floor live load is 30 psf.

Attic live load is 10 psf.

c. Building width is in the direction of horizontal framing members supported by the header

**R603.7 Jack and king studs.** The number of jack and king studs installed on each side of a header shall comply with Table R603.7(1). King, jack and cripple studs shall be of the same dimension and thickness as the adjacent wall studs. Headers shall be connected to king studs in accordance with Table R603.7(2) and the following provisions:

1. For box beam headers, one-half of the total number of required screws shall be applied to the header and one half to the king stud by use of C-shaped or track member in accordance with Figure R603.6(1). The track or C-shape sections shall extend the depth of the header minus  $\frac{1}{2}$  inch (12.7 mm) and shall have a minimum thickness not less than that of the wall studs.
2. For back-to-back headers, one-half the total number of screws shall be applied to the header and one-half to the king stud by use of a minimum 2-inch-by-2-inch (51 mm  $\times$  51 mm) clip angle in accordance with Figure R603.6(2). The clip angle shall extend the depth of the header minus  $\frac{1}{2}$  inch (12.7 mm) and shall have a minimum thickness not less than that of the wall studs. Jack and king studs shall be interconnected with structural sheathing in accordance with Figures R603.6(1) and R603.6(2).

**R603.8 Head and sill track.** Head track spans above door and window openings and sill track spans beneath window openings shall comply with Table R603.8. For openings less than 4 feet (1219 mm) in height that have both a head track and a sill track, multiplying the spans by 1.75 shall be permitted in Table R603.8. For openings less than or equal to 6 feet (1829 mm) in height that have both a head track and a sill track, multiplying the spans in Table R603.8 by 1.50 shall be permitted.

**R603.9 Structural sheathing.** Structural sheathing shall be installed in accordance with Figure R603.9 and this section on all sheathable exterior wall surfaces, including areas above and below openings.

**R603.9.1 Sheathing materials.** Structural sheathing panels shall consist of minimum  $\frac{7}{16}$ -inch (11 mm) thick oriented strand board or  $\frac{15}{32}$ -inch (12 mm) thick plywood.

**R603.9.2 Determination of minimum length of full height sheathing.** The minimum length of full height sheathing on each *braced wall line* shall be determined by multiplying the length of the *braced wall line* by the percentage obtained from Table R603.9.2(1) and by the plan aspect-ratio adjustment factors obtained from Table R603.9.2(2). The minimum length of full height sheathing shall not be less than 20 percent of the *braced wall line* length.

To be considered full height sheathing, structural sheathing shall extend from the bottom to the top of the wall without interruption by openings. Only sheathed, full height wall sections, uninterrupted by openings, which are a minimum of 48 inches (1219 mm) wide, shall be counted toward meeting the minimum percentages in Table R603.9.2(1). In addition, structural sheathing shall comply with all of the following requirements:

1. Be installed with the long dimension parallel to the stud framing (i.e. vertical orientation) and shall cover the full vertical height of wall from the bottom of the bottom track to the top of the top track of each *story*. Installing the long dimension perpendicular to the stud framing or using shorter segments shall be permitted provided that the horizontal joint is blocked as described in Item 2 below.
2. Be blocked when the long dimension is installed perpendicular to the stud framing (i.e. horizontal orientation). Blocking shall be a minimum of 33 mil (0.84 mm) thickness. Each horizontal structural sheathing panel shall be fastened with No. 8 screws spaced at 6 inches (152 mm) on center to the blocking at the joint.
3. Be applied to each end (corners) of each of the exterior walls with a minimum 48 inch (1219 mm) wide panel.

**R603.9.2.1** The minimum percentage of full-height structural sheathing shall be multiplied by 1.10 for 9 foot (2743 mm) high walls and multiplied by 1.20 for 10 foot (3048 mm) high walls.

**R603.9.2.2** For hip roofed homes, the minimum percentages of full height sheathing in Table R603.9.2(1), based upon wind, shall be permitted to be multiplied by a factor of 0.95 for roof slopes not exceeding 7:12 and a factor of 0.9 for roof slopes greater than 7:12.

**R603.9.2.3** In the lowest *story* of a *dwelling*, multiplying the percentage of full height sheathing required in Table R603.9.2(1) by 0.6, shall be permitted provided hold down anchors are provided in accordance with Section R603.9.4.2.

**R603.9.3 Structural sheathing fastening.** All edges and interior areas of structural sheathing panels shall be fastened to framing members and tracks in accordance with Figure R603.9 and Table R603.3.2(1). Screws for attachment of structural sheathing panels shall be bugle-head, flat-head, or similar head style with a minimum head diameter of 0.29 inch (8 mm).

For continuously-sheathed *braced wall lines* using wood structural panels installed with No. 8 screws spaced 4-inches (102 mm) on center at all panel edges and 12 inches (304.8 mm) on center on intermediate framing members, the following shall apply:

1. Multiplying the percentages of full height sheathing in Table R603.9.2(1) by 0.72 shall be permitted.
2. For bottom track attached to foundations or framing below, the bottom track anchor or screw connection spacing in Table R505.3.1(1) and Table R603.3.1 shall be multiplied by  $\frac{2}{3}$ .

**R603.9.4 Uplift connection requirements.** Uplift connections shall be provided in accordance with this section.

**R603.9.4.1** Where wind speeds are in excess of 100 miles per hour (45 m/s), Exposure C, walls shall be provided wind direct uplift connections in accordance with AISI S230, Section E13.3, and AISI S230, Section F7.2, as required for 110 miles per hour (49 m/s), Exposure C.

**TABLE R603.7(1)**  
**TOTAL NUMBER OF JACK AND KING STUDS REQUIRED AT EACH END OF AN OPENING**

SIZE OF OPENING (feet-inches)	24" O.C. STUD SPACING		16" O.C. STUD SPACING	
	No. of jack studs	No. of king studs	No. of jack studs	No. of king studs
Up to 3'-6"	1	1	1	1
> 3'-6" to 5'-0"	1	2	1	2
> 5'-0" to 5'-6"	1	2	2	2
> 5'-6" to 8'-0"	1	2	2	2
> 8'-0" to 10'-6"	2	2	2	3
> 10'-6" to 12'-0"	2	2	3	3
> 12'-0" to 13'-0"	2	3	3	3
> 13'-0" to 14'-0"	2	3	3	4
> 14'-0" to 16'-0"	2	3	3	4
> 16'-0" to 18'-0"	3	3	4	4

For SI: 1 inch = 25.4 mm, 1 foot = 304.8 mm.

**TABLE R603.7(2)**  
**HEADER TO KING STUD CONNECTION REQUIREMENTS<sup>a, b, c, d</sup>**

HEADER SPAN (feet)	BASIC WIND SPEED (mph), EXPOSURE		
	85 B or Seismic Design Categories A, B, C, D <sub>0</sub> , D <sub>1</sub> and D <sub>2</sub>	85 C or less than 110 B	Less than 110 C
≤ 4'	4-No. 8 screws	4-No. 8 screws	6-No. 8 screws
> 4' to 8'	4-No. 8 screws	4-No. 8 screws	8-No. 8 screws
> 8' to 12'	4-No. 8 screws	6-No. 8 screws	10-No. 8 screws
> 12' to 16'	4-No. 8 screws	8-No. 8 screws	12-No. 8 screws

For SI: 1 inch = 25.4 mm, 1 foot = 304.8 mm, 1 mile per hour = 0.447 m/s, 1 pound = 4.448 N.

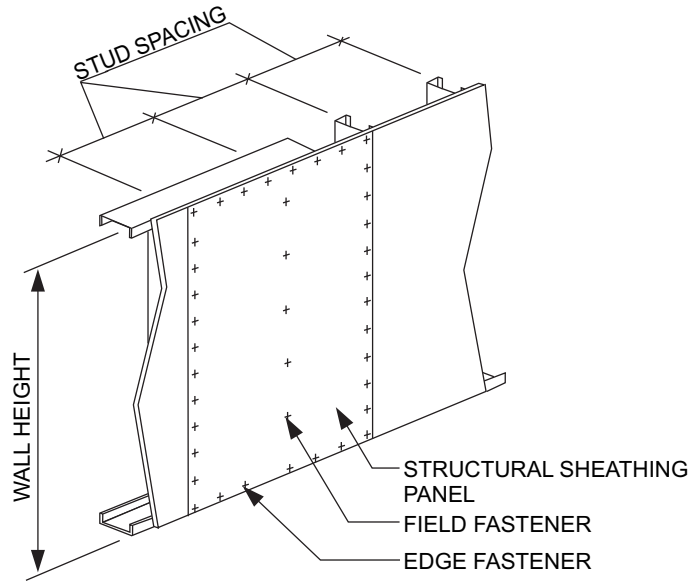
- All screw sizes shown are minimum.
- For headers located on the first floor of a two-story building or the first or second floor of a three-story building, the total number of screws is permitted to be reduced by 2 screws, but the total number of screws shall be no less than 4.
- For roof slopes of 6:12 or greater, the required number of screws may be reduced by half, but the total number of screws shall be no less than four.
- Screws can be replaced by an uplift connector which has a capacity of the number of screws multiplied by 164 pounds (e.g., 12-No. 8 screws can be replaced by an uplift connector whose capacity exceeds 12 × 164 pounds = 1,968 pounds).

**TABLE R603.8**  
**HEAD AND SILL TRACK SPAN**  
**F<sub>y</sub> = 33 ksi**

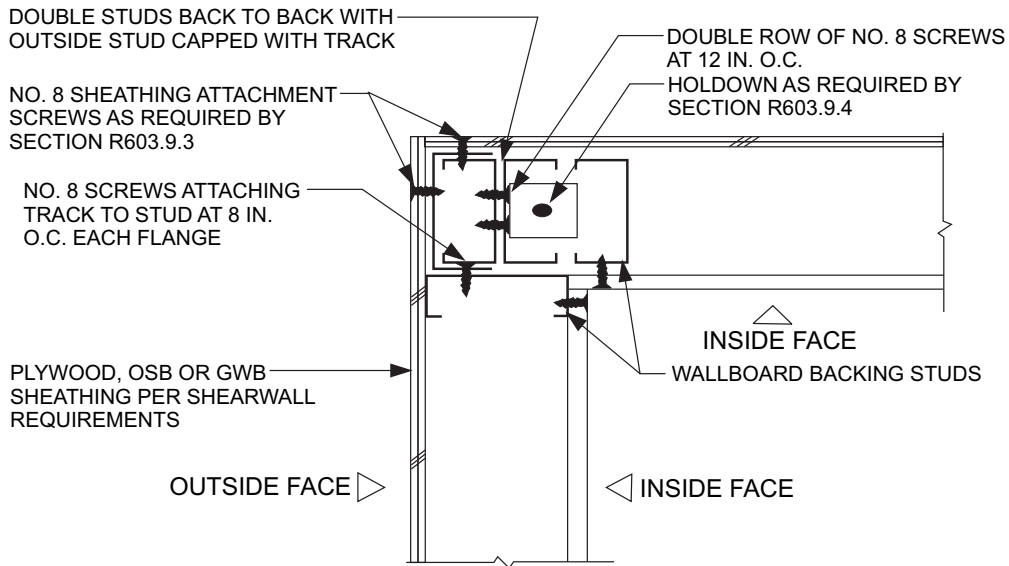
BASIC WIND SPEED (mph)	ALLOWABLE HEAD AND SILL TRACK SPAN <sup>a, b, c</sup> (ft-in.)						
	EXPOSURE		TRACK DESIGNATION				
B	C	350T125-33	350T125-43	350T125-54	550T125-33	550T125-43	550T125-54
85	—	5'-0"	5'-7"	6'-2"	5'-10"	6'-8"	7'-0"
90	—	4'-10"	5'-5"	6'-0"	5'-8"	6'-3"	6'-10"
100	85	4'-6"	5'-1"	5'-8"	5'-4"	5'-11"	6'-5"
110	90	4'-2"	4'-9"	5'-4"	5'-1"	5'-7"	6'-1"
120	100	3'-11"	4'-6"	5'-0"	4'-10"	5'-4"	5'-10"
130	110	3'-8"	4'-2"	4'-9"	4'-1"	5'-1"	5'-7"
140	120	3'-7"	4'-1"	4'-7"	3'-6"	4'-11"	5'-5"
150	130	3'-5"	3'-10"	4'-4"	2'-11"	4'-7"	5'-2"
—	140	3'-1"	3'-6"	4'-1"	2'-3"	4'-0"	4'-10"
—	150	2'-9"	3'-4"	3'-10"	2'-0"	3'-7"	4'-7"

For SI: 1 inch = 25.4 mm, 1 foot = 304.8 mm, 1 mile per hour = 0.447 m/s.

- Deflection limit:  $L/240$ .
- Head and sill track spans are based on components and cladding wind speeds and 48 inch tributary span.
- For openings less than 4 feet in height that have both a head track and sill track, the above spans are permitted to be multiplied by 1.75. For openings less than or equal to 6 feet in height that have both a head track and a sill track, the above spans are permitted to be multiplied by a factor of 1.5.



**FIGURE R603.9**  
**STRUCTURAL SHEATHING FASTENING PATTERN**



For SI: 1 inch = 25.4 mm.

**FIGURE R603.9.2**  
**CORNER STUD HOLD DOWN DETAIL**

**TABLE R603.9.2(1)**  
**MINIMUM PERCENTAGE OF FULL HEIGHT**  
**STRUCTURAL SHEATHING ON EXTERIOR WALLS<sup>a,b</sup>**

WALL SUPPORTING	ROOF SLOPE	BASIC WIND SPEED AND EXPOSURE (mph)					
		85 B	90 B	100 B	< 110 B	100 C	< 110 C
				85 C	90 C		
Roof and ceiling only (One story or top floor of two or three story building)	3:12	8	9	9	12	16	20
	6:12	12	13	15	20	26	35
	9:12	21	23	25	30	50	58
	12:12	30	33	35	40	66	75
One story, roof and ceiling (First floor of a two-story building or second floor of a three story building)	3:12	24	27	30	35	50	66
	6:12	25	28	30	40	58	74
	9:12	35	38	40	55	74	91
	12:12	40	45	50	65	100	115
Two story, roof and ceiling (First floor of a three story building)	3:12	40	45	51	58	84	112
	6:12	38	43	45	60	90	113
	9:12	49	53	55	80	98	124
	12:12	50	57	65	90	134	155

For SI: 1 mile per hour = 0.447 m/s.

a. Linear interpolation is permitted.

b. For hip-roofed homes the minimum percentage of full height sheathing, based upon wind, is permitted to be multiplied by a factor of 0.95 for roof slopes not exceeding 7:12 and a factor of 0.9 for roof slopes greater than 7:12.

**TABLE R603.9.2(2)**  
**FULL HEIGHT SHEATHING LENGTH ADJUSTMENT FACTORS**

PLAN ASPECT RATIO	LENGTH ADJUSTMENT FACTORS	
	Short wall	Long wall
1:1	1.0	1.0
1.5:1	1.5	0.67
2:1	2.0	0.50
3:1	3.0	0.33
4:1	4.0	0.25

**R603.9.4.2** Where the percentage of full height sheathing is adjusted in accordance with Section R603.9.2.3, a hold-down anchor, with a strength of 4,300 pounds (19 kN), shall be provided at each end of each full-height sheathed wall section used to meet the minimum percent sheathing requirements of Section R603.9.2. Hold down anchors shall be attached to back-to-back studs; structural sheathing panels shall have edge fastening to the studs, in accordance with Section R603.9.3 and AISI S230, Table E11-1.

A single hold down anchor, installed in accordance with Figure R603.9.2, shall be permitted at the corners of buildings.

**R603.9.5 Structural sheathing for stone and masonry veneer.** In Seismic Design Category C, where stone and masonry veneer is installed in accordance with Section

R703.7, the length of structural sheathing for walls supporting one *story*, roof and ceiling shall be the greater of the amount required by Section R603.9.2 or 36 percent, modified by Section R603.9.2 except Section R603.9.2.2 shall not be permitted.

## SECTION R604

### WOOD STRUCTURAL PANELS

**R604.1 Identification and grade.** Wood structural panels shall conform to DOC PS 1 or DOC PS 2 or, when manufactured in Canada, CSA O437 or CSA O325. All panels shall be identified by a grade mark or certificate of inspection issued by an *approved* agency.

## WALL CONSTRUCTION

**R604.2 Allowable spans.** The maximum allowable spans for wood structural panel wall sheathing shall not exceed the values set forth in Table R602.3(3).

**R604.3 Installation.** Wood structural panel wall sheathing shall be attached to framing in accordance with Table R602.3(1) or Table R602.3.(3). Wood structural panels marked Exposure 1 or Exterior are considered water-repellent sheathing under the code.

### SECTION R605 PARTICLEBOARD

**R605.1 Identification and grade.** Particleboard shall conform to ANSI A208.1 and shall be so identified by a grade mark or certificate of inspection issued by an *approved* agency. Particleboard shall comply with the grades specified in Table R602.3(4).

### SECTION R606 GENERAL MASONRY CONSTRUCTION

**R606.1 General.** Masonry construction shall be designed and constructed in accordance with the provisions of this section or in accordance with the provisions of TMS 402/ACI 530/ASCE 5.

**R606.1.1 Professional registration not required.** When the empirical design provisions of TMS 402/ACI 530/ASCE 5 Chapter 5 or the provisions of this section are used to design masonry, project drawings, typical details and specifications are not required to bear the seal of the architect or engineer responsible for design, unless otherwise required by the state law of the *jurisdiction* having authority.

**R606.2 Thickness of masonry.** The nominal thickness of masonry walls shall conform to the requirements of Sections R606.2.1 through R606.2.4.

**R606.2.1 Minimum thickness.** The minimum thickness of masonry bearing walls more than one *story* high shall be 8 inches (203 mm). *Solid masonry* walls of one-story *dwelling*s and garages shall not be less than 6 inches (152 mm) in thickness when not greater than 9 feet (2743 mm) in height, provided that when gable construction is used, an additional 6 feet (1829 mm) is permitted to the peak of the gable. Masonry walls shall be laterally supported in either the horizontal or vertical direction at intervals as required by Section R606.9.

**R606.2.2 Rubble stone masonry wall.** The minimum thickness of rough, random or coursed rubble stone masonry walls shall be 16 inches (406 mm).

**R606.2.3 Change in thickness.** Where walls of masonry of hollow units or masonry-bonded hollow walls are decreased in thickness, a course of *solid masonry* shall be constructed between the wall below and the thinner wall above, or special units or construction shall be used to transmit the loads from face shells or wythes above to those below.

**R606.2.4 Parapet walls.** Unreinforced *solid masonry* parapet walls shall not be less than 8 inches (203 mm) thick and

their height shall not exceed four times their thickness. Unreinforced hollow unit masonry parapet walls shall be not less than 8 inches (203 mm) thick, and their height shall not exceed three times their thickness. Masonry parapet walls in areas subject to wind loads of 30 pounds per square foot (1.44 kPa) located in Seismic Design Category D<sub>0</sub>, D<sub>1</sub> or D<sub>2</sub>, or on townhouses in Seismic Design Category C shall be reinforced in accordance with Section R606.12.

**R606.3 Corbeled masonry.** Corbeled masonry shall be in accordance with Sections R606.3.1 through R606.3.3.

**R606.3.1 Units.** *Solid masonry* units or masonry units filled with mortar or grout shall be used for corbeling.

**R606.3.2 Corbel projection.** The maximum projection of one unit shall not exceed one-half the height of the unit or one-third the thickness at right angles to the wall. The maximum corbeled projection beyond the face of the wall shall not exceed:

1. One-half of the wall thickness for multiwythe walls bonded by mortar or grout and wall ties or masonry headers, or
2. One-half the wythe thickness for single wythe walls, masonry-bonded hollow walls, multiwythe walls with open collar joints and veneer walls.

**R606.3.3 Corbeled masonry supporting floor or roof-framing members.** When corbeled masonry is used to support floor or roof-framing members, the top course of the corbel shall be a header course or the top course bed joint shall have ties to the vertical wall.

**R606.4 Support conditions.** Bearing and support conditions shall be in accordance with Sections R606.4.1 and R606.4.2.

**R606.4.1 Bearing on support.** Each masonry wythe shall be supported by at least two-thirds of the wythe thickness.

**R606.4.2 Support at foundation.** Cavity wall or masonry veneer construction may be supported on an 8-inch (203 mm) foundation wall, provided the 8-inch (203 mm) wall is corbeled to the width of the wall system above with masonry constructed of *solid masonry* units or masonry units filled with mortar or grout. The total horizontal projection of the corbel shall not exceed 2 inches (51 mm) with individual corbels projecting not more than one-third the thickness of the unit or one-half the height of the unit. The hollow space behind the corbeled masonry shall be filled with mortar or grout.

**R606.5 Allowable stresses.** Allowable compressive stresses in masonry shall not exceed the values prescribed in Table R606.5. In determining the stresses in masonry, the effects of all loads and conditions of loading and the influence of all forces affecting the design and strength of the several parts shall be taken into account.

**R606.5.1 Combined units.** In walls or other structural members composed of different kinds or grades of units, materials or mortars, the maximum stress shall not exceed the allowable stress for the weakest of the combination of units, materials and mortars of which the member is composed. The net thickness of any facing unit that is used to resist stress shall not be less than 1.5 inches (38 mm).



**TABLE R606.5**  
**ALLOWABLE COMPRESSIVE STRESSES FOR**  
**EMPIRICAL DESIGN OF MASONRY**

CONSTRUCTION; COMPRESSIVE STRENGTH OF UNIT, GROSS AREA	ALLOWABLE COMPRESSIVE STRESSES <sup>a</sup> GROSS CROSS-SECTIONAL AREA <sup>b</sup>	
	Type M or S mortar	Type N mortar
Solid masonry of brick and other solid units of clay or shale; sand-lime or concrete brick:		
8,000+ psi	350	300
4,500 psi	225	200
2,500 psi	160	140
1,500 psi	115	100
Grouted <sup>c</sup> masonry, of clay or shale; sand-lime or concrete:		
4,500+ psi	225	200
2,500 psi	160	140
1,500 psi	115	100
Solid masonry of solid concrete masonry units:		
3,000+ psi	225	200
2,000 psi	160	140
1,200 psi	115	100
Masonry of hollow load-bearing units:		
2,000+ psi	140	120
1,500 psi	115	100
1,000 psi	75	70
700 psi	60	55
Hollow walls (cavity or masonry bonded <sup>d</sup> ) solid units:		
2,500+ psi	160	140
1,500 psi	115	100
Hollow units	75	70
Stone ashlar masonry:		
Granite	720	640
Limestone or marble	450	400
Sandstone or cast stone	360	320
Rubble stone masonry:		
Coarse, rough or random	120	100

For SI: 1 pound per square inch = 6.895 kPa.

- Linear interpolation shall be used for determining allowable stresses for masonry units having compressive strengths that are intermediate between those given in the table.
- Gross cross-sectional area shall be calculated on the actual rather than nominal dimensions.
- See Section R608.
- Where floor and roof loads are carried upon one wythe, the gross cross-sectional area is that of the wythe under load; if both wythes are loaded, the gross cross-sectional area is that of the wall minus the area of the cavity between the wythes. Walls bonded with metal ties shall be considered as cavity walls unless the collar joints are filled with mortar or grout.

**R606.6 Piers.** The unsupported height of masonry piers shall not exceed ten times their least dimension. When structural clay tile or hollow concrete masonry units are used for isolated piers to support beams and girders, the cellular spaces shall be filled solidly with concrete or Type M or S mortar, except that unfilled hollow piers may be used if their unsupported height is

not more than four times their least dimension. Where hollow masonry units are solidly filled with concrete or Type M, S or N mortar, the allowable compressive stress shall be permitted to be increased as provided in Table R606.5.

**R606.6.1 Pier cap.** Hollow piers shall be capped with 4 inches (102 mm) of *solid masonry* or concrete or shall have cavities of the top course filled with concrete or grout or other *approved* methods.

**R606.7 Chases.** Chases and recesses in masonry walls shall not be deeper than one-third the wall thickness, and the maximum length of a horizontal chase or horizontal projection shall not exceed 4 feet (1219 mm), and shall have at least 8 inches (203 mm) of masonry in back of the chases and recesses and between adjacent chases or recesses and the jambs of openings. Chases and recesses in masonry walls shall be designed and constructed so as not to reduce the required strength or required fire resistance of the wall and in no case shall a chase or recess be permitted within the required area of a pier. Masonry directly above chases or recesses wider than 12 inches (305 mm) shall be supported on noncombustible lintels.

**R606.8 Stack bond.** In unreinforced masonry where masonry units are laid in stack bond, longitudinal reinforcement consisting of not less than two continuous wires each with a minimum aggregate cross-sectional area of 0.017 square inch (11 mm<sup>2</sup>) shall be provided in horizontal bed joints spaced not more than 16 inches (406 mm) on center vertically.

**R606.9 Lateral support.** Masonry walls shall be laterally supported in either the horizontal or the vertical direction. The maximum spacing between lateral supports shall not exceed the distances in Table R606.9. Lateral support shall be provided by cross walls, pilasters, buttresses or structural frame members when the limiting distance is taken horizontally, or by floors or roofs when the limiting distance is taken vertically.

**TABLE R606.9**  
**SPACING OF LATERAL SUPPORT FOR MASONRY WALLS**

CONSTRUCTION	MAXIMUM WALL LENGTH TO THICKNESS OR WALL HEIGHT TO THICKNESS <sup>a,b</sup>
Bearing walls:	
Solid or solid grouted	20
All other	18
Nonbearing walls:	
Exterior	18
Interior	36

For SI: 1 foot = 304.8 mm.

- Except for cavity walls and cantilevered walls, the thickness of a wall shall be its nominal thickness measured perpendicular to the face of the wall. For cavity walls, the thickness shall be determined as the sum of the nominal thicknesses of the individual wythes. For cantilever walls, except for parapets, the ratio of height to nominal thickness shall not exceed 6 for solid masonry, or 4 for hollow masonry. For parapets, see Section R606.2.4.
- An additional unsupported height of 6 feet is permitted for gable end walls.

**R606.9.1 Horizontal lateral support.** Lateral support in the horizontal direction provided by intersecting masonry walls shall be provided by one of the methods in Section R606.9.1.1 or Section R606.9.1.2.

**R606.9.1.1 Bonding pattern.** Fifty percent of the units at the intersection shall be laid in an overlapping



masonry bonding pattern, with alternate units having a bearing of not less than 3 inches (76 mm) on the unit below.

**R606.9.1.2 Metal reinforcement.** Interior nonload-bearing walls shall be anchored at their intersections, at vertical intervals of not more than 16 inches (406 mm) with joint reinforcement of at least 9 gage [0.148 in. (4mm)], or 1/4 inch (6 mm) galvanized mesh hardware cloth. Intersecting masonry walls, other than interior nonloadbearing walls, shall be anchored at vertical intervals of not more than 8 inches (203 mm) with joint reinforcement of at least 9 gage and shall extend at least 30 inches (762 mm) in each direction at the intersection. Other metal ties, joint reinforcement or anchors, if used, shall be spaced to provide equivalent area of anchorage to that required by this section.

**R606.9.2 Vertical lateral support.** Vertical lateral support of masonry walls in Seismic Design Category A, B or C shall be provided in accordance with one of the methods in Section R606.9.2.1 or Section R606.9.2.2.

**R606.9.2.1 Roof structures.** Masonry walls shall be anchored to roof structures with metal strap anchors spaced in accordance with the manufacturer's instructions, 1/2-inch (13 mm) bolts spaced not more than 6 feet (1829 mm) on center, or other *approved* anchors. Anchors shall be embedded at least 16 inches (406 mm) into the masonry, or be hooked or welded to bond beam reinforcement placed not less than 6 inches (152 mm) from the top of the wall.

**R606.9.2.2 Floor diaphragms.** Masonry walls shall be anchored to floor *diaphragm* framing by metal strap anchors spaced in accordance with the manufacturer's instructions, 1/2-inch-diameter (13 mm) bolts spaced at intervals not to exceed 6 feet (1829 mm) and installed as shown in Figure R606.11(1), or by other *approved* methods.

**R606.10 Lintels.** Masonry over openings shall be supported by steel lintels, reinforced concrete or masonry lintels or masonry arches, designed to support load imposed.

**R606.11 Anchorage.** Masonry walls shall be anchored to floor and roof systems in accordance with the details shown in Figure R606.11(1), R606.11(2) or R606.11(3). Footings may be considered as points of lateral support.

**R606.12 Seismic requirements.** The seismic requirements of this section shall apply to the design of masonry and the construction of masonry building elements located in Seismic Design Category D<sub>0</sub>, D<sub>1</sub> or D<sub>2</sub>. Townhouses in Seismic Design Category C shall comply with the requirements of Section R606.12.2. These requirements shall not apply to glass unit masonry conforming to Section R610 or masonry veneer conforming to Section R703.7.

**R606.12.1 General.** Masonry structures and masonry elements shall comply with the requirements of Sections

R606.12.2 through R606.12.4 based on the seismic design category established in Table R301.2(1). Masonry structures and masonry elements shall comply with the requirements of Section R606.12 and Figures R606.11(1), R606.11(2) and R606.11(3) or shall be designed in accordance with TMS 402/ACI 530/ASCE 5.

**R606.12.1.1 Floor and roof diaphragm construction.** Floor and roof *diaphragms* shall be constructed of wood structural panels attached to wood framing in accordance with Table R602.3(1) or to cold-formed steel floor framing in accordance with Table R505.3.1(2) or to cold-formed steel roof framing in accordance with Table R804.3. Additionally, sheathing panel edges perpendicular to framing members shall be backed by blocking, and sheathing shall be connected to the blocking with fasteners at the edge spacing. For Seismic Design Categories C, D<sub>0</sub>, D<sub>1</sub> and D<sub>2</sub>, where the width-to-thickness dimension of the *diaphragm* exceeds 2-to-1, edge spacing of fasteners shall be 4 inches (102 mm) on center.

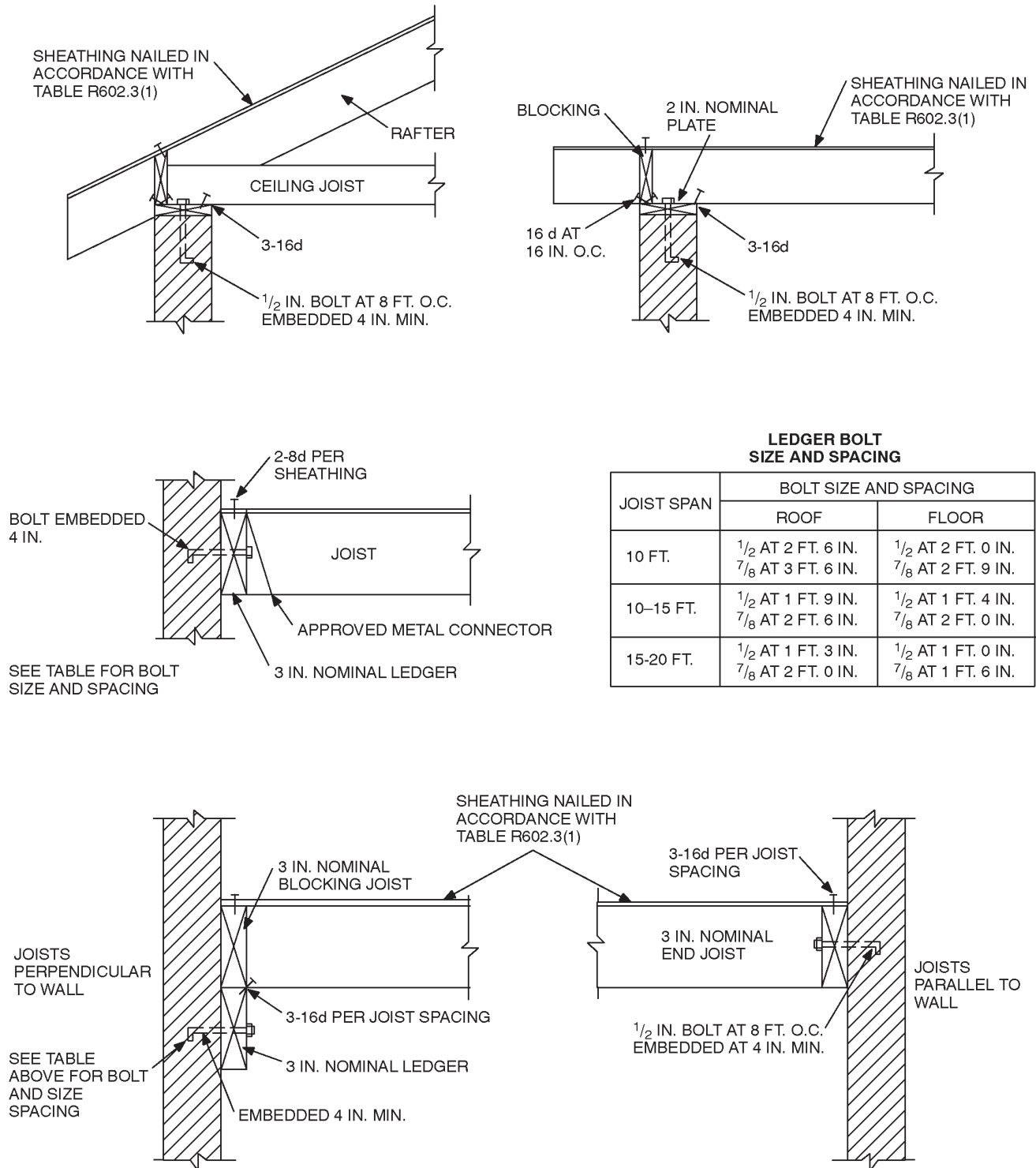
**R606.12.2 Seismic Design Category C.** Townhouses located in Seismic Design Category C shall comply with the requirements of this section.

**R606.12.2.1 Minimum length of wall without openings.** Table R606.12.2.1 shall be used to determine the minimum required solid wall length without openings at each masonry exterior wall. The provided percentage of solid wall length shall include only those wall segments that are 3 feet (914 mm) or longer. The maximum clear distance between wall segments included in determining the solid wall length shall not exceed 18 feet (5486 mm). Shear wall segments required to meet the minimum wall length shall be in accordance with Section R606.12.2.2.3.

**R606.12.2.2 Design of elements not part of the lateral force-resisting system.**

**R606.12.2.2.1 Load-bearing frames or columns.** Elements not part of the lateral-force-resisting system shall be analyzed to determine their effect on the response of the system. The frames or columns shall be adequate for vertical load carrying capacity and induced moment caused by the design *story* drift.

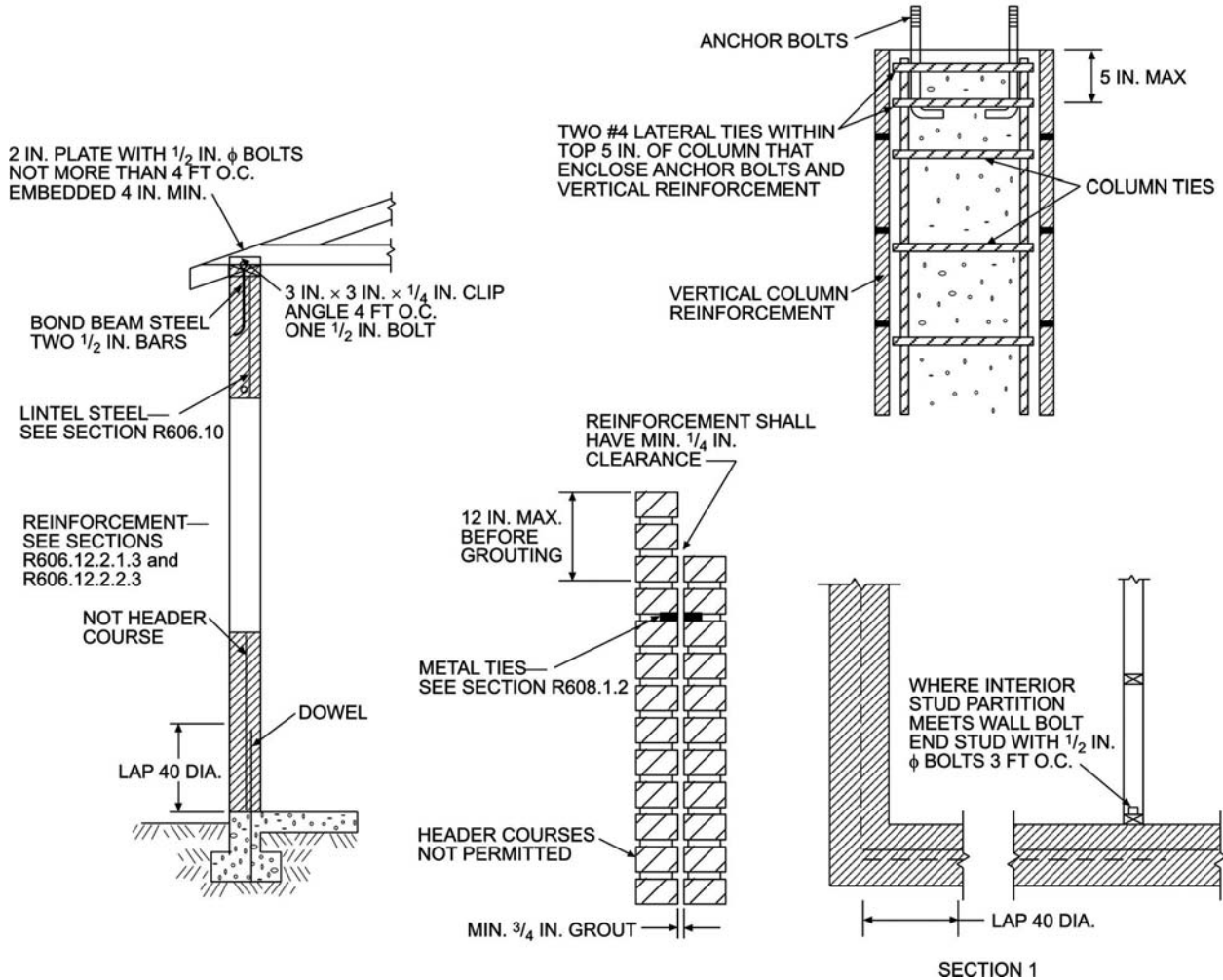
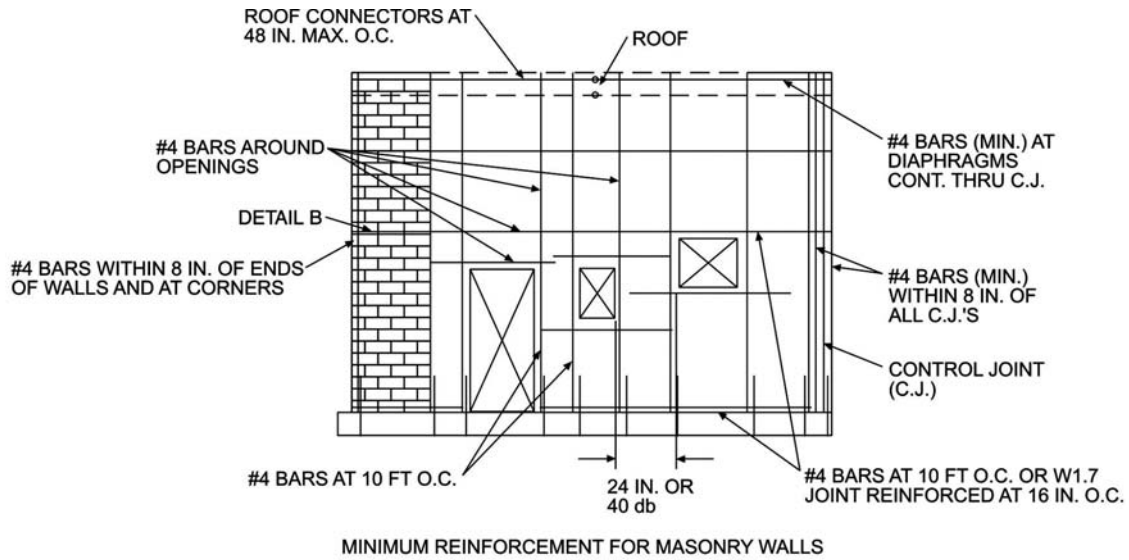
**R606.12.2.2.2 Masonry partition walls.** Masonry partition walls, masonry screen walls and other masonry elements that are not designed to resist vertical or lateral loads, other than those induced by their own weight, shall be isolated from the structure so that vertical and lateral forces are not imparted to these elements. Isolation joints and connectors between these elements and the structure shall be designed to accommodate the design *story* drift.



NOTE: Where bolts are located in hollow masonry, the cells in the courses receiving the bolt shall be grouted solid.  
 For SI: 1 inch = 25.4 mm, 1 foot = 304.8 mm, 1 pound per square foot = 0.0479kPa.

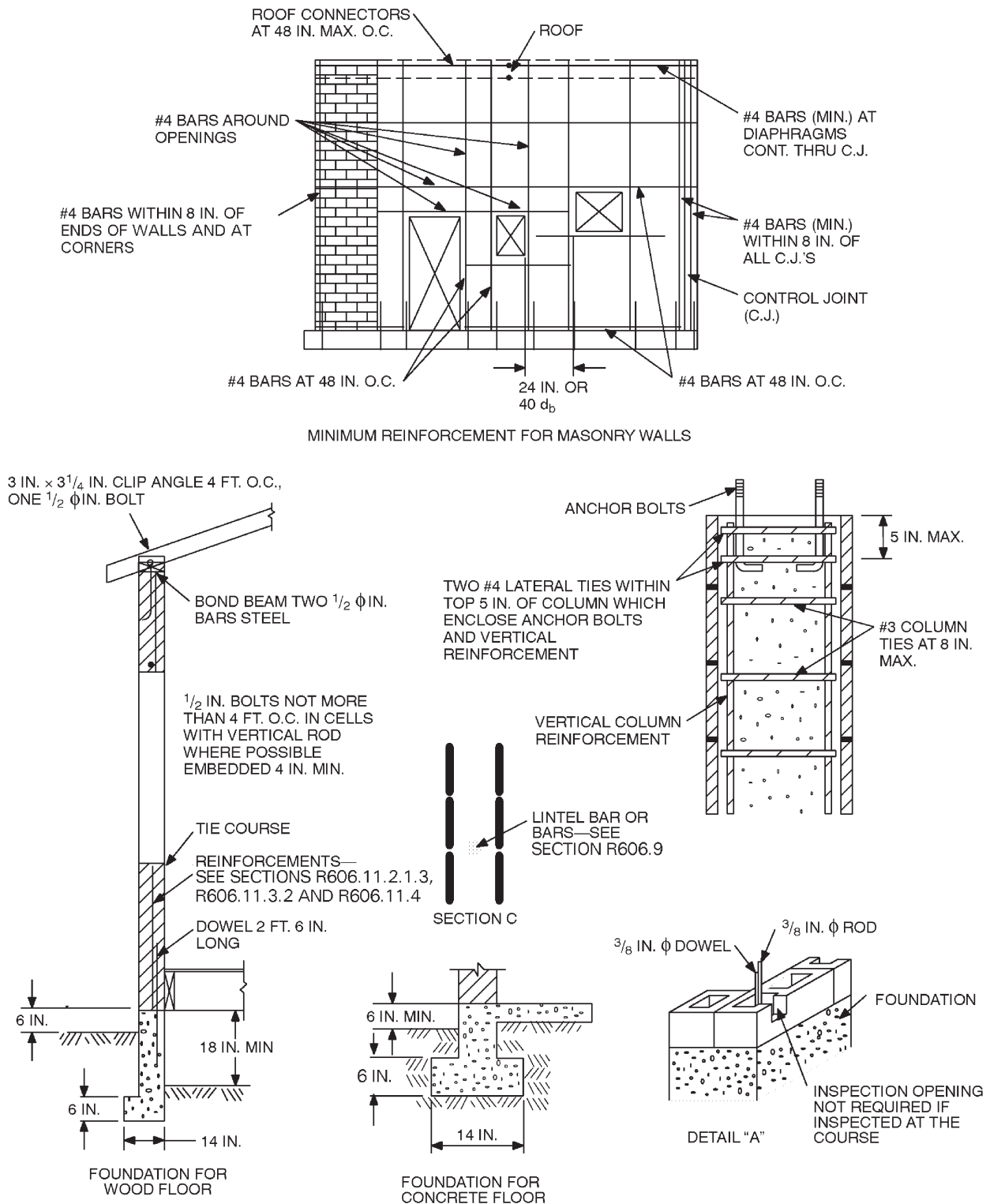
**FIGURE R606.11(1)**  
**ANCHORAGE REQUIREMENTS FOR MASONRY WALLS LOCATED IN SEISMIC DESIGN CATEGORY A, B OR C AND WHERE WIND LOADS ARE LESS THAN 30 PSF**

**WALL CONSTRUCTION**



For SI: 1 inch = 25.4 mm, 1 foot = 304.8 mm.

**FIGURE R606.11(2)**  
**REQUIREMENTS FOR REINFORCED GROUTED MASONRY CONSTRUCTION IN SEISMIC DESIGN CATEGORY C**



NOTE: A full bed joint must be provided. All cells containing vertical bars are to be filled to the top of wall and provide inspection opening as shown on detail "A." Horizontal bars are to be laid as shown on detail "B." Lintel bars are to be laid as shown on Section C.  
 For SI: 1 inch = 25.4 mm, 1 foot = 304.8 mm.

**FIGURE R606.11(3)**  
**REQUIREMENTS FOR REINFORCED MASONRY CONSTRUCTION IN SEISMIC DESIGN CATEGORY D<sub>0</sub>, D<sub>1</sub>, OR D<sub>2</sub>**

**TABLE R606.12.2.1  
MINIMUM SOLID WALL LENGTH ALONG EXTERIOR WALL LINES**

SEISMIC DESIGN CATEGORY	MINIMUM SOLID WALL LENGTH (percent) <sup>a</sup>		
	One Story or Top Story of Two Story	Wall Supporting Light-framed Second Story and Roof	Wall Supporting Masonry Second Story and Roof
Townhouses in C	20	25	35
D <sub>0</sub> or D <sub>1</sub>	25	NP	NP
D <sub>2</sub>	30	NP	NP

NP = Not permitted, except with design in accordance with the *International Building Code*.

a. For all walls, the minimum required length of solid walls shall be based on the table percent multiplied by the dimension, parallel to the wall direction under consideration, of a rectangle inscribing the overall building plan.

**R606.12.2.2.3 Reinforcement requirements for masonry elements.** Masonry elements listed in Section R606.12.2.2.2 shall be reinforced in either the horizontal or vertical direction as shown in Figure R606.11(2) and in accordance with the following:

1. Horizontal reinforcement. Horizontal joint reinforcement shall consist of at least two longitudinal W1.7 wires spaced not more than 16 inches (406 mm) for walls greater than 4 inches (102 mm) in width and at least one longitudinal W1.7 wire spaced not more than 16 inches (406 mm) for walls not exceeding 4 inches (102 mm) in width; or at least one No. 4 bar spaced not more than 48 inches (1219 mm). Where two longitudinal wires of joint reinforcement are used, the space between these wires shall be the widest that the mortar joint will accommodate. Horizontal reinforcement shall be provided within 16 inches (406 mm) of the top and bottom of these masonry elements.
2. Vertical reinforcement. Vertical reinforcement shall consist of at least one No. 4 bar spaced not more than 48 inches (1219 mm). Vertical reinforcement shall be located within 16 inches (406 mm) of the ends of masonry walls.

**R606.12.2.3 Design of elements part of the lateral-force-resisting system.**

**R606.12.2.3.1 Connections to masonry shear walls.** Connectors shall be provided to transfer forces between masonry walls and horizontal elements in accordance with the requirements of Section 1.7.4 of TMS 402/ACI 530/ASCE 5. Connectors shall be designed to transfer horizontal design forces acting either perpendicular or parallel to the wall, but not less than 200 pounds per linear foot (2919 N/m) of wall. The maximum spacing between connectors shall be 4 feet (1219 mm). Such anchorage mechanisms shall not induce tension stresses perpendicular to grain in ledgers or nailers.

**R606.12.2.3.2 Connections to masonry columns.** Connectors shall be provided to transfer forces between masonry columns and horizontal elements in accordance with the requirements of Section 1.7.4 of

TMS 402/ACI 530/ASCE 5. Where anchor bolts are used to connect horizontal elements to the tops of columns, the bolts shall be placed within lateral ties. Lateral ties shall enclose both the vertical bars in the column and the anchor bolts. There shall be a minimum of two No. 4 lateral ties provided in the top 5 inches (127 mm) of the column.

**R606.12.2.3.3 Minimum reinforcement requirements for masonry shear walls.** Vertical reinforcement of at least one No. 4 bar shall be provided at corners, within 16 inches (406 mm) of each side of openings, within 8 inches (203 mm) of each side of movement joints, within 8 inches (203 mm) of the ends of walls, and at a maximum spacing of 10 feet (3048 mm).

Horizontal joint reinforcement shall consist of at least two wires of W1.7 spaced not more than 16 inches (406 mm); or bond beam reinforcement of at least one No. 4 bar spaced not more than 10 feet (3048 mm) shall be provided. Horizontal reinforcement shall also be provided at the bottom and top of wall openings and shall extend not less than 24 inches (610 mm) nor less than 40 bar diameters past the opening; continuously at structurally connected roof and floor levels; and within 16 inches (406 mm) of the top of walls.

**R606.12.3 Seismic Design Category D<sub>0</sub> or D<sub>1</sub>.** Structures in Seismic Design Category D<sub>0</sub> or D<sub>1</sub> shall comply with the requirements of Seismic Design Category C and the additional requirements of this section.

**R606.12.3.1 Design requirements.** Masonry elements other than those covered by Section R606.12.2.2.2 shall be designed in accordance with the requirements of Chapter 1 and Sections 2.1 and 2.3 of TMS 402/ACI 530/ASCE 5 and shall meet the minimum reinforcement requirements contained in Sections R606.12.3.2 and R606.12.3.2.1.

**Exception:** Masonry walls limited to one *story* in height and 9 feet (2743 mm) between lateral supports need not be designed provided they comply with the minimum reinforcement requirements of Sections R606.12.3.2 and R606.12.3.2.1.

**R606.12.3.2 Minimum reinforcement requirements for masonry walls.** Masonry walls other than those covered by Section R606.12.2.2.3 shall be reinforced in both the vertical and horizontal direction. The sum of the cross-sectional area of horizontal and vertical reinforcement shall be at least 0.002 times the gross cross-sectional area of the wall, and the minimum cross-sectional area in each direction shall be not less than 0.0007 times the gross cross-sectional area of the wall. Reinforcement shall be uniformly distributed. Table R606.12.3.2 shows the minimum reinforcing bar sizes required for varying thicknesses of masonry walls. The maximum spacing of reinforcement shall be 48 inches (1219 mm) provided that the walls are solid grouted and constructed of hollow open-end units, hollow units laid with full head joints or two wythes of solid units. The maximum spacing of reinforcement shall be 24 inches (610 mm) for all other masonry.

**R606.12.3.2.1 Shear wall reinforcement requirements.** The maximum spacing of vertical and horizontal reinforcement shall be the smaller of one-third the length of the shear wall, one-third the height of the shear wall, or 48 inches (1219 mm). The minimum cross-sectional area of vertical reinforcement shall be one-third of the required shear reinforcement. Shear reinforcement shall be anchored around vertical reinforcing bars with a standard hook.

**R606.12.3.3 Minimum reinforcement for masonry columns.** Lateral ties in masonry columns shall be spaced not more than 8 inches (203 mm) on center and shall be at least  $\frac{3}{8}$  inch (9.5 mm) diameter. Lateral ties shall be embedded in grout.

**R606.12.3.4 Material restrictions.** Type N mortar or masonry cement shall not be used as part of the lateral-force-resisting system.

**R606.12.3.5 Lateral tie anchorage.** Standard hooks for lateral tie anchorage shall be either a 135-degree (2.4 rad) standard hook or a 180-degree (3.2 rad) standard hook.

**R606.12.4 Seismic Design Category D<sub>2</sub>.** All structures in Seismic Design Category D<sub>2</sub> shall comply with the requirements of Seismic Design Category D<sub>1</sub> and to the additional requirements of this section.

**R606.12.4.1 Design of elements not part of the lateral-force-resisting system.** Stack bond masonry that is not part of the lateral-force-resisting system shall have a horizontal cross-sectional area of reinforcement of at least 0.0015 times the gross cross-sectional area of masonry. Table R606.12.4.1 shows minimum reinforcing bar sizes for masonry walls. The maximum spacing of horizontal reinforcement shall be 24 inches (610 mm). These elements shall be solidly grouted and shall be constructed of hollow open-end units or two wythes of solid units.

**TABLE R606.12.4.1  
MINIMUM REINFORCING FOR STACKED BONDED  
MASONRY WALLS IN SEISMIC DESIGN CATEGORY D<sub>2</sub>**

NOMINAL WALL THICKNESS (inches)	MINIMUM BAR SIZE SPACED AT 24 INCHES
6	#4
8	#5
10	#5
12	#6

For SI: 1 inch = 25.4 mm.

**R606.12.4.2 Design of elements part of the lateral-force-resisting system.** Stack bond masonry that is part of the lateral-force-resisting system shall have a horizontal cross-sectional area of reinforcement of at least 0.0025 times the gross cross-sectional area of masonry. Table R606.12.4.2 shows minimum reinforcing bar sizes for masonry walls. The maximum spacing of horizontal reinforcement shall be 16 inches (406 mm). These elements shall be solidly grouted and shall be constructed of hollow open-end units or two wythes of solid units.

**TABLE R606.12.4.2  
MINIMUM REINFORCING FOR STACKED BONDED MASONRY  
WALLS IN SEISMIC DESIGN CATEGORY D<sub>2</sub>**

NOMINAL WALL THICKNESS (inches)	MINIMUM BAR SIZE SPACED AT 16 INCHES
6	#4
8	#5
10	#5
12	#6

For SI: 1 inch = 25.4 mm.

**TABLE R606.12.3.2  
MINIMUM DISTRIBUTED WALL REINFORCEMENT FOR BUILDING ASSIGNED TO SEISMIC DESIGN CATEGORY D<sub>0</sub> or D<sub>1</sub>**

NOMINAL WALL THICKNESS (inches)	MINIMUM SUM OF THE VERTICAL AND HORIZONTAL REINFORCEMENT AREAS <sup>a</sup> (square inches per foot)	MINIMUM REINFORCEMENT AS DISTRIBUTED IN BOTH HORIZONTAL AND VERTICAL DIRECTIONS <sup>b</sup> (square inches per foot)	MINIMUM BAR SIZE FOR REINFORCEMENT SPACED AT 48 INCHES
6	0.135	0.047	#4
8	0.183	0.064	#5
10	0.231	0.081	#6
12	0.279	0.098	#6

For SI: 1 inch = 25.4 mm, 1 foot = 304.8 mm, 1 square inch per foot = 2064 mm<sup>2</sup>/m.

a. Based on the minimum reinforcing ratio of 0.002 times the gross cross-sectional area of the wall.

b. Based on the minimum reinforcing ratio each direction of 0.0007 times the gross cross-sectional area of the wall.



**R606.13 Protection for reinforcement.** Bars shall be completely embedded in mortar or grout. Joint reinforcement embedded in horizontal mortar joints shall not have less than  $\frac{5}{8}$ -inch (15.9 mm) mortar coverage from the exposed face. All other reinforcement shall have a minimum coverage of one bar diameter over all bars, but not less than  $\frac{3}{4}$  inch (19 mm), except where exposed to weather or soil, in which case the minimum coverage shall be 2 inches (51 mm).

**R606.14 Beam supports.** Beams, girders or other concentrated loads supported by a wall or column shall have a bearing of at least 3 inches (76 mm) in length measured parallel to the beam upon *solid masonry* not less than 4 inches (102 mm) in thickness, or upon a metal bearing plate of adequate design and dimensions to distribute the load safely, or upon a continuous reinforced masonry member projecting not less than 4 inches (102 mm) from the face of the wall.

**R606.14.1 Joist bearing.** Joists shall have a bearing of not less than  $1\frac{1}{2}$  inches (38 mm), except as provided in Section R606.14, and shall be supported in accordance with Figure R606.11(1).

**R606.15 Metal accessories.** Joint reinforcement, anchors, ties and wire fabric shall conform to the following: ASTM A 82 for wire anchors and ties; ASTM A 36 for plate, headed and bent-bar anchors; ASTM A 510 for corrugated sheet metal anchors and ties; ASTM A 951 for joint reinforcement; ASTM B 227 for copper-clad steel wire ties; or ASTM A 167 for stainless steel hardware.

**R606.15.1 Corrosion protection.** Minimum corrosion protection of joint reinforcement, anchor ties and wire fabric for use in masonry wall construction shall conform to Table R606.15.1.

**TABLE R606.15.1  
MINIMUM CORROSION PROTECTION**

MASONRY METAL ACCESSORY	STANDARD
Joint reinforcement, interior walls	ASTM A 641, Class 1
Wire ties or anchors in exterior walls completely embedded in mortar or grout	ASTM A 641, Class 3
Wire ties or anchors in exterior walls not completely embedded in mortar or grout	ASTM A 153, Class B-2
Joint reinforcement in exterior walls or interior walls exposed to moist environment	ASTM A 153, Class B-2
Sheet metal ties or anchors exposed to weather	ASTM A 153, Class B-2
Sheet metal ties or anchors completely embedded in mortar or grout	ASTM A 653, Coating Designation G60
Stainless steel hardware for any exposure	ASTM A 167, Type 304

**SECTION R607  
UNIT MASONRY**

**R607.1 Mortar.** Mortar for use in masonry construction shall comply with ASTM C 270. The type of mortar shall be in accordance with Sections R607.1.1, R607.1.2 and R607.1.3

and shall meet the proportion specifications of Table R607.1 or the property specifications of ASTM C 270.

**R607.1.1 Foundation walls.** Masonry foundation walls constructed as set forth in Tables R404.1.1(1) through R404.1.1(4) and mortar shall be Type M or S.

**R607.1.2 Masonry in Seismic Design Categories A, B and C.** Mortar for masonry serving as the lateral-force-resisting system in Seismic Design Categories A, B and C shall be Type M, S or N mortar.

**R607.1.3 Masonry in Seismic Design Categories D<sub>0</sub>, D<sub>1</sub> and D<sub>2</sub>.** Mortar for masonry serving as the lateral-force-resisting system in Seismic Design Categories D<sub>0</sub>, D<sub>1</sub> and D<sub>2</sub> shall be Type M or S portland cement-lime or mortar cement mortar.

**R607.2 Placing mortar and masonry units.**

**R607.2.1 Bed and head joints.** Unless otherwise required or indicated on the project drawings, head and bed joints shall be  $\frac{3}{8}$  inch (10 mm) thick, except that the thickness of the bed joint of the starting course placed over foundations shall not be less than  $\frac{1}{4}$  inch (7 mm) and not more than  $\frac{3}{4}$  inch (19 mm).

**R607.2.1.1 Mortar joint thickness tolerance.** Mortar joint thickness for load-bearing masonry shall be within the following tolerances from the specified dimensions:

1. Bed joint: +  $\frac{1}{8}$  inch (3 mm).
2. Head joint: -  $\frac{1}{4}$  inch (7 mm), +  $\frac{3}{8}$  inch (10 mm).
3. Collar joints: -  $\frac{1}{4}$  inch (7 mm), +  $\frac{3}{8}$  inch (10 mm).

**R607.2.2 Masonry unit placement.** The mortar shall be sufficiently plastic and units shall be placed with sufficient pressure to extrude mortar from the joint and produce a tight joint. Deep furrowing of bed joints that produces voids shall not be permitted. Any units disturbed to the extent that initial bond is broken after initial placement shall be removed and relaid in fresh mortar. Surfaces to be in contact with mortar shall be clean and free of deleterious materials.

**R607.2.2.1 Solid masonry.** *Solid masonry* units shall be laid with full head and bed joints and all interior vertical joints that are designed to receive mortar shall be filled.

**R607.2.2.2 Hollow masonry.** For hollow masonry units, head and bed joints shall be filled solidly with mortar for a distance in from the face of the unit not less than the thickness of the face shell.

**R607.3 Installation of wall ties.** The installation of wall ties shall be as follows:

1. The ends of wall ties shall be embedded in mortar joints. Wall tie ends shall engage outer face shells of hollow units by at least  $\frac{1}{2}$  inch (13 mm). Wire wall ties shall be embedded at least  $1\frac{1}{2}$  inches (38 mm) into the mortar bed of *solid masonry* units or solid grouted hollow units.
2. Wall ties shall not be bent after being embedded in grout or mortar.

**TABLE R607.1  
MORTAR PROPORTIONS<sup>a, b</sup>**

		PROPORTIONS BY VOLUME (cementitious materials)								Aggregate ratio (measured in damp, loose conditions)
MORTAR	TYPE	Portland cement or blended cement	Mortar cement			Masonry cement			Hydrated lime <sup>c</sup> or lime putty	
			M	S	N	M	S	N		
Cement-lime	M	1	—	—	—	—	—	—	1/4	Not less than 2 1/4 and not more than 3 times the sum of separate volumes of lime, if used, and cement
	S	1	—	—	—	—	—	—	over 1/4 to 1/2	
	N	1	—	—	—	—	—	—	over 1/2 to 1 1/4	
	O	1	—	—	—	—	—	—	over 1 1/4 to 2 1/2	
Mortar cement	M	1	—	—	1	—	—	—	—	
	M	—	1	—	—	—	—	—		
	S	1/2	—	—	1	—	—	—		
	S	—	—	1	—	—	—	—		
	N	—	—	—	1	—	—	—		
Masonry cement	O	—	—	—	1	—	—	—	—	
	M	1				—	—	1		
	M	—				1	—	—		
	S	1/2				—	—	1		
	S	—				—	1	—		
	N	—				—	—	1		
O	—				—	—	1			

For SI: 1 cubic foot = 0.0283 m<sup>3</sup>, 1 pound = 0.454 kg.

a. For the purpose of these specifications, the weight of 1 cubic foot of the respective materials shall be considered to be as follows:

Portland Cement	94 pounds	Masonry Cement	Weight printed on bag
Mortar Cement	Weight printed on bag	Hydrated Lime	40 pounds
Lime Putty (Quicklime)	80 pounds	Sand, damp and loose	80 pounds of dry sand

b. Two air-entraining materials shall not be combined in mortar.

c. Hydrated lime conforming to the requirements of ASTM C 270.

**SECTION R608  
MULTIPLE WYTHE MASONRY**

**R608.1 General.** The facing and backing of multiple wythe masonry walls shall be bonded in accordance with Section R608.1.1, R608.1.2 or R608.1.3. In cavity walls, neither the facing nor the backing shall be less than 3 inches (76 mm) nominal in thickness and the cavity shall not be more than 4 inches (102 mm) nominal in width. The backing shall be at least as thick as the facing.

**Exception:** Cavities shall be permitted to exceed the 4-inch (102 mm) nominal dimension provided tie size and tie spacing have been established by calculation.

**R608.1.1 Bonding with masonry headers.** Bonding with solid or hollow masonry headers shall comply with Sections R608.1.1.1 and R608.1.1.2.

**R608.1.1.1 Solid units.** Where the facing and backing (adjacent wythes) of *solid masonry* construction are bonded by means of masonry headers, no less than 4 percent of the wall surface of each face shall be composed of headers extending not less than 3 inches (76 mm) into the backing. The distance between adjacent full-length headers shall not exceed 24 inches (610 mm) either vertically or horizontally. In walls in which a single header does not extend through the wall, headers from the opposite sides shall overlap at least 3 inches (76 mm), or headers from opposite sides shall be covered with another header course overlapping the header below at least 3 inches (76 mm).

**R608.1.1.2 Hollow units.** Where two or more hollow units are used to make up the thickness of a wall, the stretcher courses shall be bonded at vertical intervals not exceeding 34 inches (864 mm) by lapping at least 3 inches (76 mm) over the unit below, or by lapping at vertical intervals not exceeding 17 inches (432 mm) with units that are at least 50 percent thicker than the units below.

**R608.1.2 Bonding with wall ties or joint reinforcement.** Bonding with wall ties or joint reinforcement shall comply with Sections R608.1.2.1 through R608.1.2.3.

**R608.1.2.1 Bonding with wall ties.** Bonding with wall ties, except as required by Section R610, where the facing and backing (adjacent wythes) of masonry walls are bonded with 3/16-inch-diameter (5 mm) wall ties embedded in the horizontal mortar joints, there shall be at least one metal tie for each 4.5 square feet (0.418 m<sup>2</sup>) of wall area. Ties in alternate courses shall be staggered. The maximum vertical distance between ties shall not exceed 24 inches (610 mm), and the maximum horizontal distance shall not exceed 36 inches (914 mm). Rods or ties bent to rectangular shape shall be used with hollow masonry units laid with the cells vertical. In other walls, the ends of ties shall be bent to 90-degree (0.79 rad) angles to provide hooks no less than 2 inches (51 mm) long. Additional bonding ties shall be provided at all openings, spaced not more than 3 feet (914 mm) apart around the perimeter and within 12 inches (305 mm) of the opening.



**R608.1.2.2 Bonding with adjustable wall ties.** Where the facing and backing (adjacent wythes) of masonry are bonded with adjustable wall ties, there shall be at least one tie for each 2.67 square feet (0.248 m<sup>2</sup>) of wall area. Neither the vertical nor the horizontal spacing of the adjustable wall ties shall exceed 24 inches (610 mm). The maximum vertical offset of bed joints from one wythe to the other shall be 1.25 inches (32 mm). The maximum clearance between connecting parts of the ties shall be 1/16 inch (2 mm). When pintle legs are used, ties shall have at least two 3/16-inch-diameter (5 mm) legs.

**R608.1.2.3 Bonding with prefabricated joint reinforcement.** Where the facing and backing (adjacent wythes) of masonry are bonded with prefabricated joint reinforcement, there shall be at least one cross wire serving as a tie for each 2.67 square feet (0.248 m<sup>2</sup>) of wall area. The vertical spacing of the joint reinforcement shall not exceed 16 inches (406 mm). Cross wires on prefabricated joint reinforcement shall not be smaller than No. 9 gage. The longitudinal wires shall be embedded in the mortar.

**R608.1.3 Bonding with natural or cast stone.** Bonding with natural and cast stone shall conform to Sections R608.1.3.1 and R608.1.3.2.

**R608.1.3.1 Ashlar masonry.** In ashlar masonry, bonder units, uniformly distributed, shall be provided to the extent of not less than 10 percent of the wall area. Such bonder units shall extend not less than 4 inches (102 mm) into the backing wall.

**R608.1.3.2 Rubble stone masonry.** Rubble stone masonry 24 inches (610 mm) or less in thickness shall have bonder units with a maximum spacing of 3 feet (914 mm) vertically and 3 feet (914 mm) horizontally, and if the masonry is of greater thickness than 24 inches (610 mm), shall have one bonder unit for each 6 square feet (0.557 m<sup>2</sup>) of wall surface on both sides.

**R608.2 Masonry bonding pattern.** Masonry laid in running and stack bond shall conform to Sections R608.2.1 and R608.2.2.

**R608.2.1 Masonry laid in running bond.** In each wythe of masonry laid in running bond, head joints in successive courses shall be offset by not less than one-fourth the unit length, or the masonry walls shall be reinforced longitudinally as required in Section R608.2.2.

**R608.2.2 Masonry laid in stack bond.** Where unit masonry is laid with less head joint offset than in Section

R608.2.1, the minimum area of horizontal reinforcement placed in mortar bed joints or in bond beams spaced not more than 48 inches (1219 mm) apart, shall be 0.0007 times the vertical cross-sectional area of the wall.

**SECTION R609  
GROUTED MASONRY**

**R609.1 General.** Grouted multiple-wythe masonry is a form of construction in which the space between the wythes is solidly filled with grout. It is not necessary for the cores of masonry units to be filled with grout. Grouted hollow unit masonry is a form of construction in which certain cells of hollow units are continuously filled with grout.

**R609.1.1 Grout.** Grout shall consist of cementitious material and aggregate in accordance with ASTM C 476 and the proportion specifications of Table R609.1.1. Type M or Type S mortar to which sufficient water has been added to produce pouring consistency can be used as grout.

**R609.1.2 Grouting requirements.** Maximum pour heights and the minimum dimensions of spaces provided for grout placement shall conform to Table R609.1.2. If the work is stopped for one hour or longer, the horizontal construction joints shall be formed by stopping all tiers at the same elevation and with the grout 1 inch (25 mm) below the top.

**R609.1.3 Grout space (cleaning).** Provision shall be made for cleaning grout space. Mortar projections that project more than 0.5 inch (13 mm) into grout space and any other foreign matter shall be removed from grout space prior to inspection and grouting.

**R609.1.4 Grout placement.** Grout shall be a plastic mix suitable for pumping without segregation of the constituents and shall be mixed thoroughly. Grout shall be placed by pumping or by an *approved* alternate method and shall be placed before any initial set occurs and in no case more than 1 1/2 hours after water has been added. Grouting shall be done in a continuous pour, in lifts not exceeding 5 feet (1524 mm). It shall be consolidated by puddling or mechanical vibrating during placing and reconsolidated after excess moisture has been absorbed but before plasticity is lost.

**R609.1.4.1 Grout pumped through aluminum pipes.** Grout shall not be pumped through aluminum pipes.

**R609.1.5 Cleanouts.** Where required by the *building official*, cleanouts shall be provided as specified in this section. The cleanouts shall be sealed before grouting and after inspection.

**TABLE R609.1.1  
GROUT PROPORTIONS BY VOLUME FOR MASONRY CONSTRUCTION**

TYPE	PORTLAND CEMENT OR BLENDED CEMENT SLAG CEMENT	HYDRATED LIME OR LIME PUTTY	AGGREGATE MEASURED IN A DAMP, LOOSE CONDITION	
			Fine	Coarse
Fine	1	0 to 1/10	2 1/4 to 3 times the sum of the volume of the cementitious materials	—
Coarse	1	0 to 1/10	2 1/4 to 3 times the sum of the volume of the cementitious materials	1 to 2 times the sum of the volumes of the cementitious materials

**TABLE R609.1.2**  
**GROUT SPACE DIMENSIONS AND POUR HEIGHTS**

GROUT TYPE	GROUT POUR MAXIMUM HEIGHT (feet)	MINIMUM WIDTH OF GROUT SPACES <sup>a,b</sup> (inches)	MINIMUM GROUT <sup>b,c</sup> SPACE DIMENSIONS FOR GROUTING CELLS OF HOLLOW UNITS (inches x inches)
Fine	1	0.75	1.5 × 2
	5	2	2 × 3
	12	2.5	2.5 × 3
	24	3	3 × 3
Coarse	1	1.5	1.5 × 3
	5	2	2.5 × 3
	12	2.5	3 × 3
	24	3	3 × 4

For SI: 1 inch = 25.4 mm, 1 foot = 304.8 mm.

- For grouting between masonry wythes.
- Grout space dimension is the clear dimension between any masonry protrusion and shall be increased by the horizontal projection of the diameters of the horizontal bars within the cross section of the grout space.
- Area of vertical reinforcement shall not exceed 6 percent of the area of the grout space.

#### **R609.1.5.1 Grouted multiple-wythe masonry.**

Cleanouts shall be provided at the bottom course of the exterior wythe at each pour of grout where such pour exceeds 5 feet (1524 mm) in height.

**R609.1.5.2 Grouted hollow unit masonry.** Cleanouts shall be provided at the bottom course of each cell to be grouted at each pour of grout, where such pour exceeds 4 feet (1219 mm) in height.

**R609.2 Grouted multiple-wythe masonry.** Grouted multiple-wythe masonry shall conform to all the requirements specified in Section R609.1 and the requirements of this section.

**R609.2.1 Bonding of backup wythe.** Where all interior vertical spaces are filled with grout in multiple-wythe construction, masonry headers shall not be permitted. Metal wall ties shall be used in accordance with Section R608.1.2 to prevent spreading of the wythes and to maintain the vertical alignment of the wall. Wall ties shall be installed in accordance with Section R608.1.2 when the backup wythe in multiple-wythe construction is fully grouted.

**R609.2.2 Grout spaces.** Fine grout shall be used when interior vertical space to receive grout does not exceed 2 inches (51 mm) in thickness. Interior vertical spaces exceeding 2 inches (51 mm) in thickness shall use coarse or fine grout.

**R609.2.3 Grout barriers.** Vertical grout barriers or dams shall be built of *solid masonry* across the grout space the entire height of the wall to control the flow of the grout horizontally. Grout barriers shall not be more than 25 feet (7620 mm) apart. The grouting of any section of a wall between control barriers shall be completed in one day with no interruptions greater than one hour.

**R609.3 Reinforced grouted multiple-wythe masonry.** Reinforced grouted multiple-wythe masonry shall conform to all the requirements specified in Sections R609.1 and R609.2 and the requirements of this section.

**R609.3.1 Construction.** The thickness of grout or mortar between masonry units and reinforcement shall not be less than  $\frac{1}{4}$  inch (7 mm), except that  $\frac{1}{4}$ -inch (7 mm) bars may be laid in horizontal mortar joints at least  $\frac{1}{2}$  inch (13 mm) thick, and steel wire reinforcement may be laid in horizontal mortar joints at least twice the thickness of the wire diameter.

**R609.4 Reinforced hollow unit masonry.** Reinforced hollow unit masonry shall conform to all the requirements of Section R609.1 and the requirements of this section.

**R609.4.1 Construction.** Requirements for construction shall be as follows:

- Reinforced hollow-unit masonry shall be built to preserve the unobstructed vertical continuity of the cells to be filled. Walls and cross webs forming cells to be filled shall be full-bedded in mortar to prevent leakage of grout. Head and end joints shall be solidly filled with mortar for a distance in from the face of the wall or unit not less than the thickness of the longitudinal face shells. Bond shall be provided by lapping units in successive vertical courses.
- Cells to be filled shall have vertical alignment sufficient to maintain a clear, unobstructed continuous vertical cell of dimensions prescribed in Table R609.1.2.
- Vertical reinforcement shall be held in position at top and bottom and at intervals not exceeding 200 diameters of the reinforcement.
- Cells containing reinforcement shall be filled solidly with grout. Grout shall be poured in lifts of 8-foot (2438 mm) maximum height. When a total grout pour exceeds 8 feet (2438 mm) in height, the grout shall be placed in lifts not exceeding 5 feet (1524 mm) and special inspection during grouting shall be required.
- Horizontal steel shall be fully embedded by grout in an uninterrupted pour.

## SECTION R610 GLASS UNIT MASONRY

**R610.1 General.** Panels of glass unit masonry located in load-bearing and nonload-bearing exterior and interior walls shall be constructed in accordance with this section.

**R610.2 Materials.** Hollow glass units shall be partially evacuated and have a minimum average glass face thickness of  $\frac{3}{16}$  inch (5 mm). The surface of units in contact with mortar shall be treated with a polyvinyl butyral coating or latex-based paint. The use of reclaimed units is prohibited.

**R610.3 Units.** Hollow or solid glass block units shall be standard or thin units.

**R610.3.1 Standard units.** The specified thickness of standard units shall be at least  $3\frac{7}{8}$  inches (98 mm).

**R610.3.2 Thin units.** The specified thickness of thin units shall be at least  $3\frac{1}{8}$  inches (79 mm) for hollow units and at least 3 inches (76 mm) for solid units.

**R610.4 Isolated panels.** Isolated panels of glass unit masonry shall conform to the requirements of this section.

**R610.4.1 Exterior standard-unit panels.** The maximum area of each individual standard-unit panel shall be 144 square feet (13.4 m<sup>2</sup>) when the design wind pressure is 20 psf (958 Pa). The maximum area of such panels subjected to design wind pressures other than 20 psf (958 Pa) shall be in accordance with Figure R610.4.1. The maximum panel dimension between structural supports shall be 25 feet (7620 mm) in width or 20 feet (6096 mm) in height.

**R610.4.2 Exterior thin-unit panels.** The maximum area of each individual thin-unit panel shall be 85 square feet (7.9 m<sup>2</sup>). The maximum dimension between structural supports shall be 15 feet (4572 mm) in width or 10 feet (3048 mm) in height. Thin units shall not be used in applications where the design wind pressure as stated in Table R301.2(1) exceeds 20 psf (958 Pa).

**R610.4.3 Interior panels.** The maximum area of each individual standard-unit panel shall be 250 square feet (23.2 m<sup>2</sup>). The maximum area of each thin-unit panel shall be 150 square feet (13.9 m<sup>2</sup>). The maximum dimension between structural supports shall be 25 feet (7620 mm) in width or 20 feet (6096 mm) in height.

**R610.4.4 Curved panels.** The width of curved panels shall conform to the requirements of Sections R610.4.1, R610.4.2 and R610.4.3, except additional structural supports shall be provided at locations where a curved section joins a straight section, and at inflection points in multicurved walls.

**R610.5 Panel support.** Glass unit masonry panels shall conform to the support requirements of this section.

**R610.5.1 Deflection.** The maximum total deflection of structural members that support glass unit masonry shall not exceed  $\frac{1}{600}$ .

**R610.5.2 Lateral support.** Glass unit masonry panels shall be laterally supported along the top and sides of the panel. Lateral supports for glass unit masonry panels shall be designed to resist a minimum of 200 pounds per lineal foot (2918 N/m) of panel, or the actual applied loads, whichever is greater. Except

for single unit panels, lateral support shall be provided by panel anchors along the top and sides spaced a maximum of 16 inches (406 mm) on center or by channel-type restraints. Single unit panels shall be supported by channel-type restraints.

### Exceptions:

1. Lateral support is not required at the top of panels that are one unit wide.
2. Lateral support is not required at the sides of panels that are one unit high.

**R610.5.2.1 Panel anchor restraints.** Panel anchors shall be spaced a maximum of 16 inches (406 mm) on center in both jambs and across the head. Panel anchors shall be embedded a minimum of 12 inches (305 mm) and shall be provided with two fasteners so as to resist the loads specified in Section R610.5.2.

**R610.5.2.2 Channel-type restraints.** Glass unit masonry panels shall be recessed at least 1 inch (25 mm) within channels and chases. Channel-type restraints shall be oversized to accommodate expansion material in the opening, packing and sealant between the framing restraints, and the glass unit masonry perimeter units.

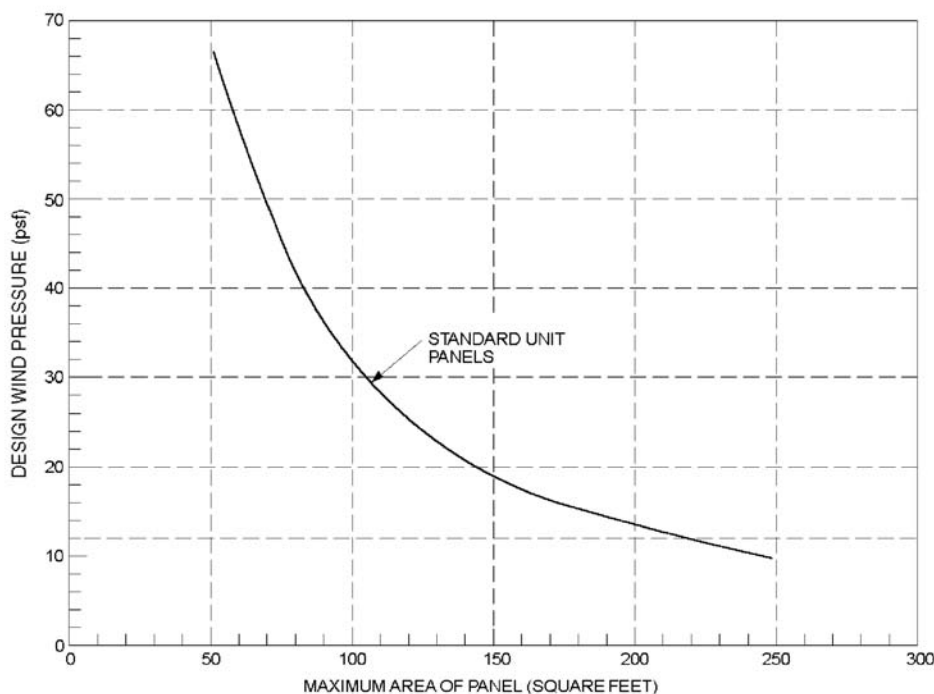
**R610.6 Sills.** Before bedding of glass units, the sill area shall be covered with a water base asphaltic emulsion coating. The coating shall be a minimum of  $\frac{1}{8}$  inch (3 mm) thick.

**R610.7 Expansion joints.** Glass unit masonry panels shall be provided with expansion joints along the top and sides at all structural supports. Expansion joints shall be a minimum of  $\frac{3}{8}$  inch (10 mm) in thickness and shall have sufficient thickness to accommodate displacements of the supporting structure. Expansion joints shall be entirely free of mortar and other debris and shall be filled with resilient material.

**R610.8 Mortar.** Glass unit masonry shall be laid with Type S or N mortar. Mortar shall not be retempered after initial set. Mortar unused within  $1\frac{1}{2}$  hours after initial mixing shall be discarded.

**R610.9 Reinforcement.** Glass unit masonry panels shall have horizontal joint reinforcement spaced a maximum of 16 inches (406 mm) on center located in the mortar bed joint. Horizontal joint reinforcement shall extend the entire length of the panel but shall not extend across expansion joints. Longitudinal wires shall be lapped a minimum of 6 inches (152 mm) at splices. Joint reinforcement shall be placed in the bed joint immediately below and above openings in the panel. The reinforcement shall have not less than two parallel longitudinal wires of size W1.7 or greater, and have welded cross wires of size W1.7 or greater.

**R610.10 Placement.** Glass units shall be placed so head and bed joints are filled solidly. Mortar shall not be furrowed. Head and bed joints of glass unit masonry shall be  $\frac{1}{4}$  inch (6.4 mm) thick, except that vertical joint thickness of radial panels shall not be less than  $\frac{1}{8}$  inch (3 mm) or greater than  $\frac{5}{8}$  inch (16 mm). The bed joint thickness tolerance shall be minus  $\frac{1}{16}$  inch (1.6 mm) and plus  $\frac{1}{8}$  inch (3 mm). The head joint thickness tolerance shall be plus or minus  $\frac{1}{8}$  inch (3 mm).



For SI: 1 square foot = 0.0929 m<sup>2</sup>, 1 pound per square foot = 0.0479 kPa.

**FIGURE R610.4.1**  
**GLASS UNIT MASONRY DESIGN WIND LOAD RESISTANCE**

## SECTION R611

### EXTERIOR CONCRETE WALL CONSTRUCTION

**R611.1 General.** Exterior concrete walls shall be designed and constructed in accordance with the provisions of this section or in accordance with the provisions of PCA 100 or ACI 318. When PCA 100, ACI 318 or the provisions of this section are used to design concrete walls, project drawings, typical details and specifications are not required to bear the seal of the architect or engineer responsible for design, unless otherwise required by the state law of the jurisdiction having authority.

**R611.1.1 Interior construction.** These provisions are based on the assumption that interior walls and partitions, both load-bearing and nonload-bearing, floors and roof/ceiling assemblies are constructed of *light-framed construction* complying with the limitations of this code and the additional limitations of Section R611.2. Design and construction of light-framed assemblies shall be in accordance with the applicable provisions of this code. Where second-story exterior walls are of *light-framed construction*, they shall be designed and constructed as required by this code.

Aspects of concrete construction not specifically addressed by this code, including interior concrete walls, shall comply with ACI 318.

**R611.1.2 Other concrete walls.** Exterior concrete walls constructed in accordance with this code shall comply with the shapes and minimum concrete cross-sectional dimensions of Table R611.3. Other types of forming systems resulting in concrete walls not in compliance with this section shall be designed in accordance with ACI 318.

**R611.2 Applicability limits.** The provisions of this section shall apply to the construction of exterior concrete walls for buildings not greater than 60 feet (18 288 mm) in plan dimensions, floors with clear spans not greater than 32 feet (9754 mm) and roofs with clear spans not greater than 40 feet (12 192 mm). Buildings shall not exceed 35 feet (10 668 mm) in mean roof height or two stories in height above-grade. Floor/ceiling dead loads shall not exceed 10 pounds per square foot (479 Pa), roof/ceiling dead loads shall not exceed 15 pounds per square foot (718 Pa) and *attic* live loads shall not exceed 20 pounds per square foot (958 Pa). Roof overhangs shall not exceed 2 feet (610 mm) of horizontal projection beyond the exterior wall and the dead load of the overhangs shall not exceed 8 pounds per square foot (383 Pa).

Walls constructed in accordance with the provisions of this section shall be limited to buildings subjected to a maximum design wind speed of 130 miles per hour (58 m/s) Exposure B, 110 miles per hour (49 m/s) Exposure C and 100 miles per hour (45 m/s) Exposure D. Walls constructed in accordance with the provisions of this section shall be limited to detached one- and two-family *dwellings* and townhouses assigned to Seismic Design Category A or B, and detached one- and two-family *dwellings* assigned to Seismic Design Category C.

Buildings that are not within the scope of this section shall be designed in accordance with PCA 100 or ACI 318.

**R611.3 Concrete wall systems.** Concrete walls constructed in accordance with these provisions shall comply with the shapes and minimum concrete cross-sectional dimensions of Table R611.3.

**R611.3.1 Flat wall systems.** Flat concrete wall systems shall comply with Table R611.3 and Figure R611.3(1) and have a minimum nominal thickness of 4 inches (102 mm).

**R611.3.2 Waffle-grid wall systems.** Waffle-grid wall systems shall comply with Table R611.3 and Figure R611.3(2), and shall have a minimum nominal thickness of 6 inches (152 mm) for the horizontal and vertical concrete members (cores). The core and web dimensions shall comply with Table R611.3. The maximum weight of waffle-grid walls shall comply with Table R611.3.

**R611.3.3 Screen-grid wall systems.** Screen-grid wall systems shall comply with Table R611.3 and Figure R611.3(3) and shall have a minimum nominal thickness of 6 inches (152 mm) for the horizontal and vertical concrete members (cores). The core dimensions shall comply with Table R611.3. The maximum weight of screen-grid walls shall comply with Table R611.3.

**R611.4 Stay-in-place forms.** Stay-in-place concrete forms shall comply with this section.

**R611.4.1 Surface burning characteristics.** The flame spread index and smoke-developed index of forming material, other than foam plastic, left exposed on the interior shall comply with Section R302.9. The surface burning characteristics of foam plastic used in insulating concrete forms shall comply with Section R316.3.

**R611.4.2 Interior covering.** Stay-in-place forms constructed of rigid foam plastic shall be protected on the interior of the building as required by Sections R316.4 and R702.3.4. Where gypsum board is used to protect the foam plastic, it

shall be installed with a mechanical fastening system. Use of adhesives is permitted in addition to mechanical fasteners.

**R611.4.3 Exterior wall covering.** Stay-in-place forms constructed of rigid foam plastics shall be protected from sunlight and physical damage by the application of an *approved* exterior wall covering complying with this code. Exterior surfaces of other stay-in-place forming systems shall be protected in accordance with this code.

Requirements for installation of masonry veneer, stucco and other finishes on the exterior of concrete walls and other construction details not covered in this section shall comply with the requirements of this code.

**R611.5 Materials.** Materials used in the construction of concrete walls shall comply with this section.

**R611.5.1 Concrete and materials for concrete.** Materials used in concrete, and the concrete itself, shall conform to requirements of this section, or ACI 318.

**R611.5.1.1 Concrete mixing and delivery.** Mixing and delivery of concrete shall comply with ASTM C 94 or ASTM C 685.

**R611.5.1.2 Maximum aggregate size.** The nominal maximum size of coarse aggregate shall not exceed one-fifth the narrowest distance between sides of forms, or three-fourths the clear spacing between reinforcing bars or between a bar and the side of the form.

**Exception:** When *approved*, these limitations shall not apply where removable forms are used and workability and methods of consolidation permit concrete to be placed without honeycombs or voids.

**TABLE R611.3**  
**DIMENSIONAL REQUIREMENTS FOR WALLS<sup>a,b</sup>**

WALL TYPE AND NOMINAL THICKNESS	MAXIMUM WALL WEIGHT <sup>c</sup> (psf)	MINIMUM WIDTH, W, OF VERTICAL CORES (inches)	MINIMUM THICKNESS, T, OF VERTICAL CORES (inches)	MAXIMUM SPACING OF VERTICAL CORES (inches)	MAXIMUM SPACING OF HORIZONTAL CORES (inches)	MINIMUM WEB THICKNESS (inches)
4" Flat <sup>d</sup>	50	N/A	N/A	N/A	N/A	N/A
6" Flat <sup>d</sup>	75	N/A	N/A	N/A	N/A	N/A
8" Flat <sup>d</sup>	100	N/A	N/A	N/A	N/A	N/A
10" Flat <sup>d</sup>	125	N/A	N/A	N/A	N/A	N/A
6" Waffle-grid	56	8 <sup>e</sup>	5.5 <sup>e</sup>	12	16	2
8" Waffle-grid	76	8 <sup>f</sup>	8 <sup>f</sup>	12	16	2
6" Screen-grid	53	6.25 <sup>g</sup>	6.25 <sup>g</sup>	12	12	N/A

For SI: 1 inch = 25.4 mm; 1 pound per square foot = 0.0479 kPa, 1 pound per cubic foot = 2402.77 kg/m<sup>3</sup>, 1 square inch = 645.16 mm<sup>2</sup>.

a. Width "W," thickness "T," spacing and web thickness, refer to Figures R611.3(2) and R611.3(3).

b. N/A indicates not applicable.

c. Wall weight is based on a unit weight of concrete of 150 pcf. For flat walls the weight is based on the nominal thickness. The tabulated values do not include any allowance for interior and exterior finishes.

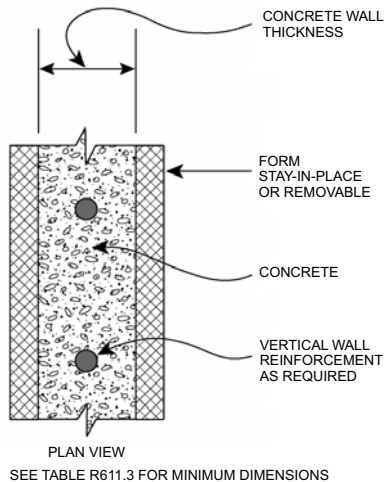
d. Nominal wall thickness. The actual as-built thickness of a flat wall shall not be more than 1/2-inch less or more than 1/4-inch more than the nominal dimension indicated.

e. Vertical core is assumed to be elliptical-shaped. Another shape core is permitted provided the minimum thickness is 5 inches, the moment of inertia, *I*, about the centerline of the wall (ignoring the web) is not less than 65 in<sup>4</sup>, and the area, *A*, is not less than 31.25 in<sup>2</sup>. The width used to calculate *A* and *I* shall not exceed 8 inches.

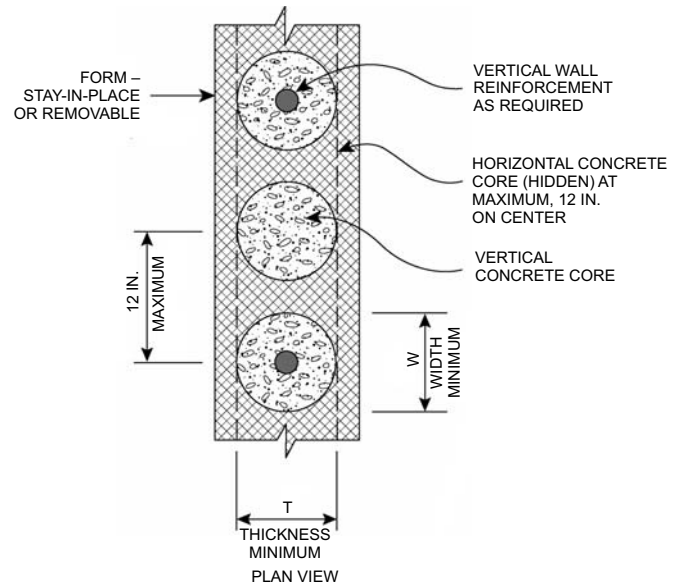
f. Vertical core is assumed to be circular. Another shape core is permitted provided the minimum thickness is 7 inches, the moment of inertia, *I*, about the centerline of the wall (ignoring the web) is not less than 200 in<sup>4</sup>, and the area, *A*, is not less than 49 in<sup>2</sup>. The width used to calculate *A* and *I* shall not exceed 8 inches.

g. Vertical core is assumed to be circular. Another shape core is permitted provided the minimum thickness is 5.5 inches, the moment of inertia, *I*, about the centerline of the wall is not less than 76 in<sup>4</sup>, and the area, *A*, is not less than 30.25 in<sup>2</sup>. The width used to calculate *A* and *I* shall not exceed 6.25 inches.





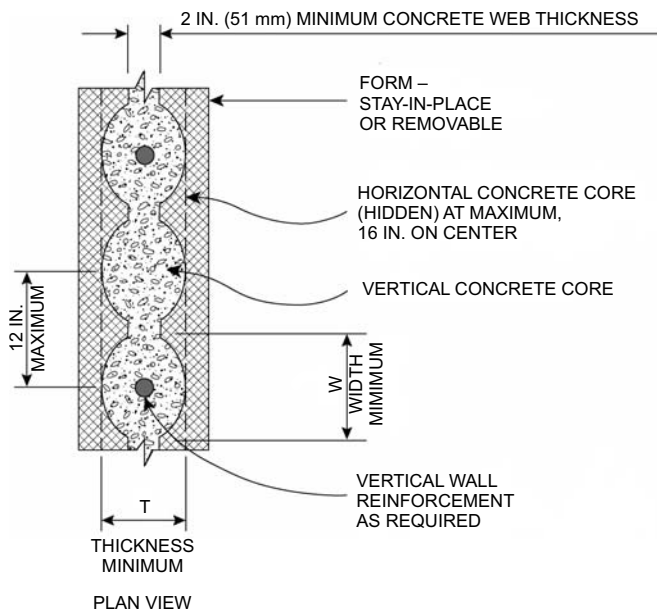
**FIGURE R611.3(1)  
FLAT WALL SYSTEM**



SEE TABLE R611.3 FOR MINIMUM DIMENSIONS.

For SI: 1 inch = 25.4 mm.

**FIGURE R611.3(3)  
SCREEN-GRID WALL SYSTEM**



SEE TABLE R611.3 FOR MINIMUM DIMENSIONS

For SI: 1 inch = 25.4 mm.

**FIGURE R611.3(2)  
WAFFLE-GRID WALL SYSTEM**

**R611.5.1.3 Proportioning and slump of concrete.** Proportions of materials for concrete shall be established to provide workability and consistency to permit concrete to be worked readily into forms and around reinforcement under conditions of placement to be employed, without segregation or excessive bleeding. Slump of concrete placed in removable forms shall not exceed 6 inches (152 mm).

**Exception:** When *approved*, the slump is permitted to exceed 6 inches (152 mm) for concrete mixtures that are resistant to segregation, and are in accordance with the form manufacturer's recommendations.

Slump of concrete placed in stay-in-place forms shall exceed 6 inches (152 mm). Slump of concrete shall be determined in accordance with ASTM C 143.

**R611.5.1.4 Compressive strength.** The minimum specified compressive strength of concrete,  $f'_c$ , shall comply with Section R402.2 and shall be not less than 2,500 pounds per square inch (17.2 MPa) at 28 days.

**R611.5.1.5 Consolidation of concrete.** Concrete shall be consolidated by suitable means during placement and shall be worked around embedded items and reinforcement and into corners of forms. Where stay-in-place forms are used, concrete shall be consolidated by internal vibration.

**Exception:** When *approved*, self-consolidating concrete mixtures with slumps equal to or greater than 8 inches (203 mm) that are specifically designed for placement without internal vibration need not be internally vibrated.

**R611.5.2 Steel reinforcement and anchor bolts.**

**R611.5.2.1 Steel reinforcement.** Steel reinforcement shall comply with ASTM A 615, A 706, or A 996. ASTM A 996 bars produced from rail steel shall be Type R.

**R611.5.2.2 Anchor bolts.** Anchor bolts for use with connection details in accordance with Figures R611.9(1) through R611.9(12) shall be bolts with heads complying with ASTM A 307 or ASTM F 1554. ASTM A 307 bolts shall be Grade A (i.e., with heads). ASTM F 1554 bolts shall be Grade 36 minimum. Instead of bolts with heads, it is permissible to use rods with threads on both ends fabricated from steel complying with ASTM A 36. The threaded end of the rod to be embedded in the concrete shall be provided with a hex or square nut.

**R611.5.2.3 Sheet steel angles and tension tie straps.**

Angles and tension tie straps for use with connection details in accordance with Figures R611.9(1) through R611.9(12) shall be fabricated from sheet steel complying with ASTM A 653 SS, ASTM A 792 SS, or ASTM A 875 SS. The steel shall be minimum Grade 33 unless a higher grade is required by the applicable figure.

**R611.5.3 Form materials and form ties.** Forms shall be made of wood, steel, aluminum, plastic, a composite of cement and foam insulation, a composite of cement and wood chips, or other *approved* material suitable for supporting and containing concrete. Forms shall provide sufficient strength to contain concrete during the concrete placement operation.

Form ties shall be steel, solid plastic, foam plastic, a composite of cement and wood chips, a composite of cement and foam plastic, or other suitable material capable of resisting the forces created by fluid pressure of fresh concrete.

**R611.5.4 Reinforcement installation details.**

**R611.5.4.1 Support and cover.** Reinforcement shall be secured in the proper location in the forms with tie wire or other bar support system such that displacement will not occur during the concrete placement operation. Steel reinforcement in concrete cast against the earth shall have a minimum cover of 3 inches (76 mm). Minimum cover for reinforcement in concrete cast in removable forms that will be exposed to the earth or weather shall be 1½ inches (38 mm) for No. 5 bars and smaller, and 2 inches (50 mm) for No. 6 bars and larger. For concrete cast in removable forms that will not be exposed to the earth or weather, and for concrete cast in stay-in-place forms, minimum cover shall be ¾ inch (19 mm). The minus tolerance for cover shall not exceed the smaller of one-third the required cover and ⅜ inch (10 mm). See Section R611.5.4.4 for cover requirements for hooks of bars developed in tension.

**R611.5.4.2 Location of reinforcement in walls.** For location of reinforcement in foundation walls and above-grade walls, see Sections R404.1.2.3.7.2 and R611.6.5, respectively.

**R611.5.4.3 Lap splices.** Vertical and horizontal wall reinforcement required by Sections R611.6 and R611.7 shall be the longest lengths practical. Where splices are necessary in reinforcement, the length of lap splices shall be in accordance with Table R611.5.4(1) and Figure R611.5.4 (1). The maximum gap between noncontact parallel bars at a lap splice shall not exceed the smaller of one-fifth the required lap length and 6 inches (152 mm). See Figure R611.5.4(1).

**R611.5.4.4 Development of bars in tension.** Where bars are required to be developed in tension by other provisions of this code, development lengths and cover for hooks and bar extensions shall comply with Table R611.5.4(1) and Figure R611.5.4 (2). The development lengths shown in Table R611.5.4(1) also apply to bundled bars in lintels installed in accordance with Section R611.8.2.2.

**R611.5.4.5 Standard hooks.** Where reinforcement is required by this code to terminate with a standard hook, the hook shall comply with Figure R611.5.4(3).

**R611.5.4.6 Webs of waffle-grid walls.** Reinforcement, including stirrups, shall not be placed in webs of waffle-grid walls, including lintels. Webs are permitted to have form ties.

**R611.5.4.7 Alternate grade of reinforcement and spacing.** Where tables in Sections R404.1.2 and R611.6 specify vertical wall reinforcement based on minimum bar size and maximum spacing, which are based on Grade 60 (420 MPa) steel reinforcement, different size bars and/or bars made from a different grade of steel are permitted provided an equivalent area of steel per linear foot of wall is provided. Use of Table R611.5.4(2) is permitted to determine the maximum bar spacing for different bar sizes than specified in the tables and/or bars made from a different grade of steel. Bars shall not be spaced less than one-half the wall thickness, or more than 48 inches (1219 mm) on center.

**R611.5.5 Construction joints in walls.** Construction joints shall be made and located to not impair the strength of the wall. Construction joints in plain concrete walls, including walls required to have not less than No. 4 bars at 48 inches (1219 mm) on center by Section R611.6, shall be located at points of lateral support, and a minimum of one No. 4 bar shall extend across the construction joint at a spacing not to exceed 24 inches (610 mm) on center. Construction joint reinforcement shall have a minimum of 12 inches (305 mm) embedment on both sides of the joint. Construction joints in reinforced concrete walls shall be located in the middle third of the span between lateral supports, or located and constructed as required for joints in plain concrete walls.

**Exception:** Vertical wall reinforcement required by this code is permitted to be used in lieu of construction joint reinforcement, provided the spacing does not exceed 24 inches (610 mm), or the combination of wall reinforcement and No. 4 bars described above does not exceed 24 inches (610 mm).

**R611.6 Above-grade wall requirements.**

**R611.6.1 General.** The minimum thickness of load-bearing and nonload-bearing above-grade walls and reinforcement shall be as set forth in the appropriate table in this section based on the type of wall form to be used. Where the wall or building is not within the limitations of Section R611.2, design is required by the tables in this section, or the wall is not within the scope of the tables in this section, the wall shall be designed in accordance with ACI 318.

Above-grade concrete walls shall be constructed in accordance with this section and Figure R611.6(1), R611.6(2), R611.6(3), or R611.6(4). Above-grade concrete walls that are continuous with stem walls and not laterally supported by the slab-on-ground shall be designed and constructed in accordance with this section. Concrete walls shall be supported on continuous foundation walls or slabs-on-ground that are monolithic with the footing in accordance with Section R403. The minimum length of

solid wall without openings shall be in accordance with Section R611.7. Reinforcement around openings, including lintels, shall be in accordance with Section R611.8. Lateral support for above-grade walls in the out-of-plane direction shall be provided by connections to the floor framing system, if applicable, and to ceiling and roof framing systems in accordance with Section R611.9. The wall thickness shall be equal to or greater than the thickness of the wall in the story above.

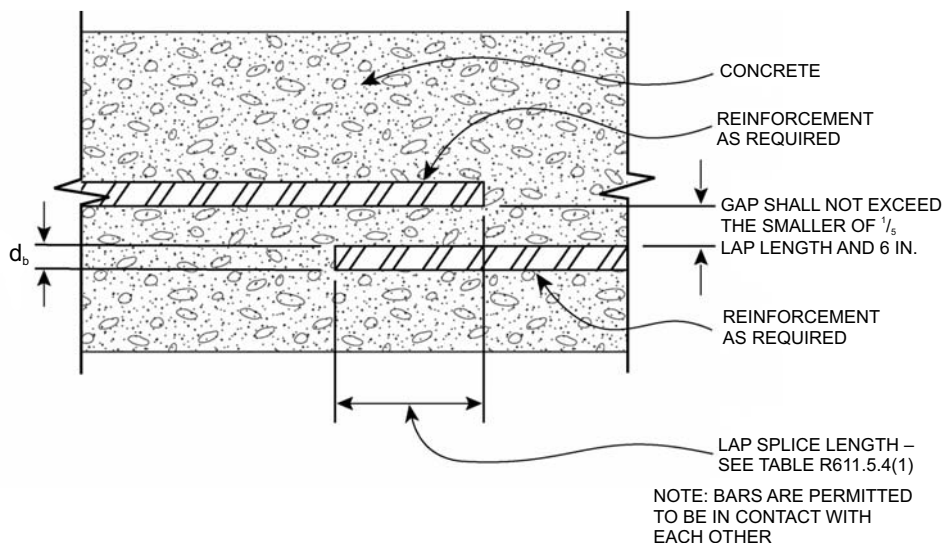
**R611.6.2 Wall reinforcement for wind.** Vertical wall reinforcement for resistance to out-of-plane wind forces shall

be determined from Table R611.6(1), R611.6(2), R611.6(3) or R611.6(4). Also, see Sections R611.7.2.2.2 and R611.7.2.2.3. There shall be a vertical bar at all corners of exterior walls. Unless more horizontal reinforcement is required by Section R611.7.2.2.1, the minimum horizontal reinforcement shall be four No. 4 bars [Grade 40 (280 MPa)] placed as follows: top bar within 12 inches (305 mm) of the top of the wall, bottom bar within 12 inches (305 mm) of the finish floor, and one bar each at approximately one-third and two-thirds of the wall height.

**TABLE R611.5.4(1)  
LAP SPLICE AND TENSION DEVELOPMENT LENGTHS**

	BAR SIZE NO.	YIELD STRENGTH OF STEEL, $f_y$ - psi (MPa)	
		40,000 (280)	60,000 (420)
		Splice length or tension development length (inches)	
Lap splice length—tension	4	20	30
	5	25	38
	6	30	45
Tension development length for straight bar	4	15	23
	5	19	28
	6	23	34
Tension development length for: a. 90-degree and 180-degree standard hooks with not less than 2½ inches of side cover perpendicular to plane of hook, and b. 90-degree standard hooks with not less than 2 inches of cover on the bar extension beyond the hook.	4	6	9
	5	7	11
	6	8	13
Tension development length for bar with 90-degree or 180-degree standard hook having less cover than required above.	4	8	12
	5	10	15
	6	12	18

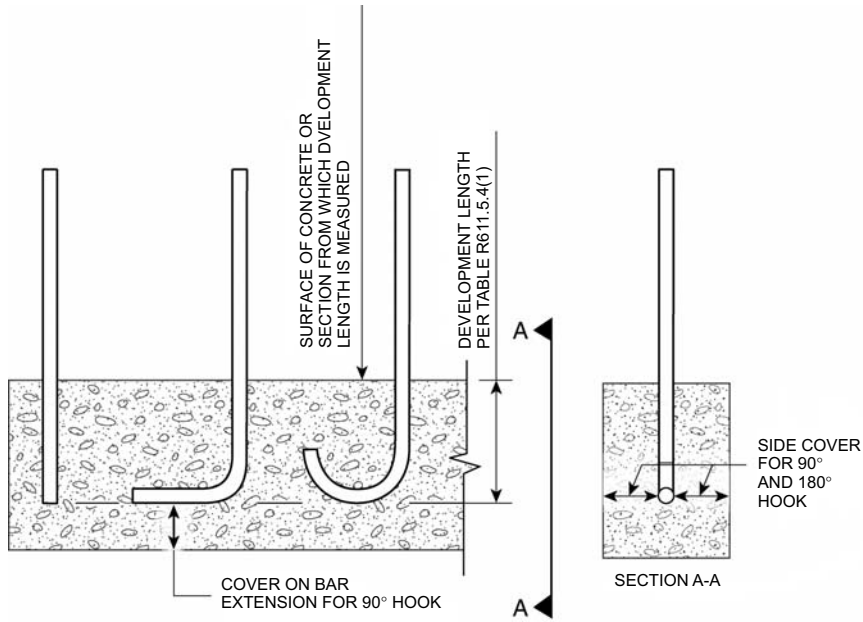
For SI: 1 inch = 25.4 mm, 1 degree = 0.0175 rad.



For SI: 1 inch = 25.4 mm.

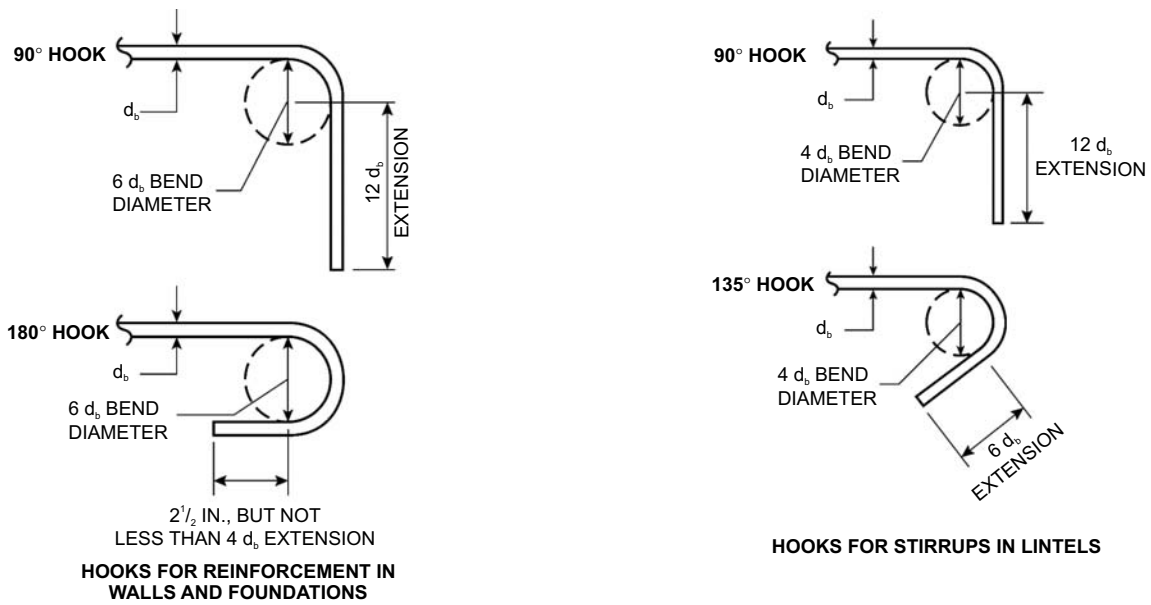
**FIGURE R611.5.4(1)  
LAP SPLICES**





For SI: 1 degree = 0.0175 rad.

**FIGURE R611.5.4(2)**  
**DEVELOPMENT LENGTH AND COVER FOR HOOKS AND BAR EXTENSION**



For SI: 1 inch = 25.4 mm, 1 degree = 0.0175 rad.

**FIGURE R611.5.4(3)**  
**STANDARD HOOKS**

**TABLE R611.5.4(2)**  
**MAXIMUM SPACING FOR ALTERNATE BAR SIZE AND/OR ALTERNATE GRADE OF STEEL<sup>a, b, c</sup>**

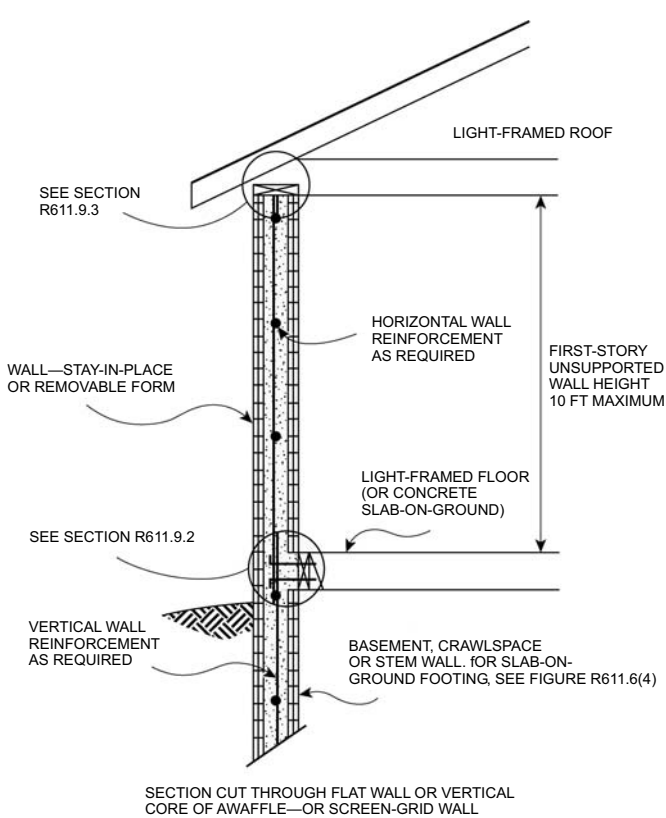
BAR SPACING FROM APPLICABLE TABLE IN SECTION R611.6 (inches)	BAR SIZE FROM APPLICABLE TABLE IN SECTION R611.6															
	#4					#5					#6					
	Alternate bar size and/or alternate grade of steel desired															
	Grade 60		Grade 40			Grade 60			Grade 40			Grade 60		Grade 40		
	#5	#6	#4	#5	#6	#4	#6	#4	#5	#6	#4	#5	#4	#5	#6	
	Maximum spacing for alternate bar size and/or alternate grade of steel (inches)															
8	12	18	5	8	12	5	11	3	5	8	4	6	2	4	5	
9	14	20	6	9	13	6	13	4	6	9	4	6	3	4	6	
10	16	22	7	10	15	6	14	4	7	9	5	7	3	5	7	
11	17	24	7	11	16	7	16	5	7	10	5	8	3	5	7	
12	19	26	8	12	18	8	17	5	8	11	5	8	4	6	8	
13	20	29	9	13	19	8	18	6	9	12	6	9	4	6	9	
14	22	31	9	14	21	9	20	6	9	13	6	10	4	7	9	
15	23	33	10	16	22	10	21	6	10	14	7	11	5	7	10	
16	25	35	11	17	23	10	23	7	11	15	7	11	5	8	11	
17	26	37	11	18	25	11	24	7	11	16	8	12	5	8	11	
18	28	40	12	19	26	12	26	8	12	17	8	13	5	8	12	
19	29	42	13	20	28	12	27	8	13	18	9	13	6	9	13	
20	31	44	13	21	29	13	28	9	13	19	9	14	6	9	13	
21	33	46	14	22	31	14	30	9	14	20	10	15	6	10	14	
22	34	48	15	23	32	14	31	9	15	21	10	16	7	10	15	
23	36	48	15	24	34	15	33	10	15	22	10	16	7	11	15	
24	37	48	16	25	35	15	34	10	16	23	11	17	7	11	16	
25	39	48	17	26	37	16	35	11	17	24	11	18	8	12	17	
26	40	48	17	27	38	17	37	11	17	25	12	18	8	12	17	
27	42	48	18	28	40	17	38	12	18	26	12	19	8	13	18	
28	43	48	19	29	41	18	40	12	19	26	13	20	8	13	19	
29	45	48	19	30	43	19	41	12	19	27	13	20	9	14	19	
30	47	48	20	31	44	19	43	13	20	28	14	21	9	14	20	
31	48	48	21	32	45	20	44	13	21	29	14	22	9	15	21	
32	48	48	21	33	47	21	45	14	21	30	15	23	10	15	21	
33	48	48	22	34	48	21	47	14	22	31	15	23	10	16	22	
34	48	48	23	35	48	22	48	15	23	32	15	24	10	16	23	
35	48	48	23	36	48	23	48	15	23	33	16	25	11	16	23	
36	48	48	24	37	48	23	48	15	24	34	16	25	11	17	24	
37	48	48	25	38	48	24	48	16	25	35	17	26	11	17	25	
38	48	48	25	39	48	25	48	16	25	36	17	27	12	18	25	
39	48	48	26	40	48	25	48	17	26	37	18	27	12	18	26	
40	48	48	27	41	48	26	48	17	27	38	18	28	12	19	27	
41	48	48	27	42	48	26	48	18	27	39	19	29	12	19	27	
42	48	48	28	43	48	27	48	18	28	40	19	30	13	20	28	
43	48	48	29	44	48	28	48	18	29	41	20	30	13	20	29	
44	48	48	29	45	48	28	48	19	29	42	20	31	13	21	29	
45	48	48	30	47	48	29	48	19	30	43	20	32	14	21	30	
46	48	48	31	48	48	30	48	20	31	44	21	32	14	22	31	
47	48	48	31	48	48	30	48	20	31	44	21	33	14	22	31	
48	48	48	32	48	48	31	48	21	32	45	22	34	15	23	32	

For SI: 1 inch = 25.4 mm.

a. This table is for use with tables in Section R611.6 that specify the minimum bar size and maximum spacing of vertical wall reinforcement for foundation walls and above-grade walls. Reinforcement specified in tables in Section R611.6 is based on Grade 60 (420 MPa) steel reinforcement.

b. Bar spacing shall not exceed 48 inches on center and shall not be less than one-half the nominal wall thickness.

c. For Grade 50 (350 MPa) steel bars (ASTM A 996, Type R), use spacing for Grade 40 (280 MPa) bars or interpolate between Grade 40 (280 MPa) and Grade 60 (420 MPa).



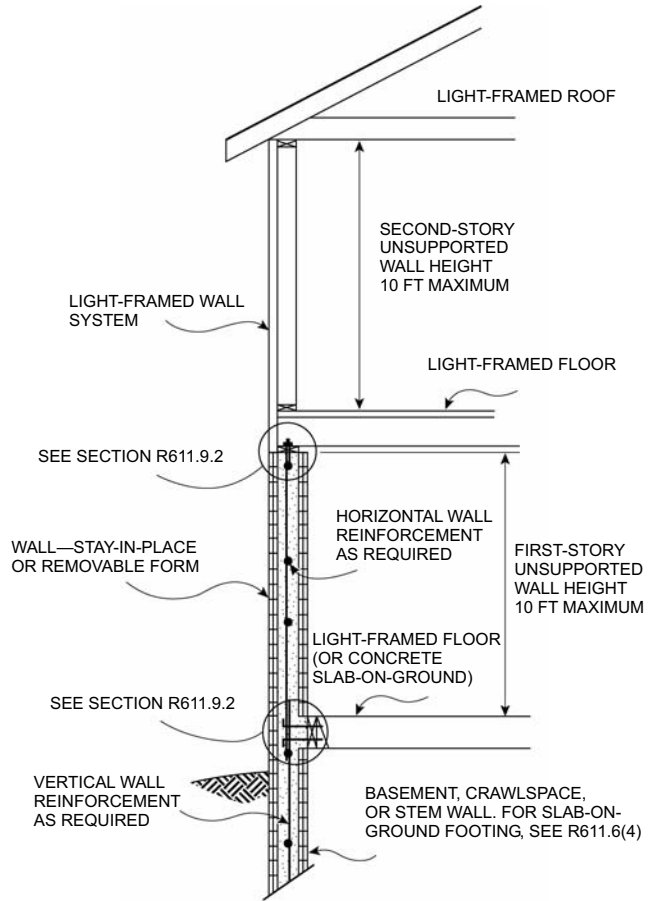
For SI: 1 foot = 304.8 mm.

**FIGURE R611.6(1)**  
**ABOVE-GRADE CONCRETE WALL CONSTRUCTION ONE STORY**

**R611.6.3 Continuity of wall reinforcement between stories.** Vertical reinforcement required by this section shall be continuous between elements providing lateral support for the wall. Reinforcement in the wall of the *story* above shall be continuous with the reinforcement in the wall of the *story* below, or the foundation wall, if applicable. Lap splices, where required, shall comply with Section R611.5.4.3 and Figure R611.5.4(1). Where the above-grade wall is supported by a monolithic slab-on-ground and footing, dowel bars with a size and spacing to match the vertical above-grade concrete wall reinforcement shall be embedded in the monolithic slab-on-ground and footing the distance required to develop the dowel bar in tension in accordance with Section R611.5.4.4 and Figure R611.5.4(2) and lap-spliced with the above-grade wall reinforcement in accordance with Section R611.5.4.3 and Figure R611.5.4(1).

**Exception:** Where reinforcement in the wall above cannot be made continuous with the reinforcement in the wall below, the bottom of the reinforcement in the wall above shall be terminated in accordance with one of the following:

1. Extend below the top of the floor the distance required to develop the bar in tension in accordance with Section R611.5.4.4 and Figure R611.5.4(2).



For SI: 1 foot = 304.8 mm.

**FIGURE R611.6(2)**  
**ABOVE-GRADE CONCRETE WALL CONSTRUCTION CONCRETE FIRST-STORY AND LIGHT-FRAMED SECOND-STORY**

2. Lap-spliced in accordance with Section R611.5.4.3 and Figure R611.5.4(1) with a dowel bar that extends into the wall below the distance required to develop the bar in tension in accordance with Section R611.5.4.4 and Figure R611.5.4(2).

Where a construction joint in the wall is located below the level of the floor and less than the distance required to develop the bar in tension, the distance required to develop the bar in tension shall be measured from the top of the concrete below the joint. See Section R611.5.5.

**R611.6.4 Termination of reinforcement.** Where indicated in items 1 through 3 below, vertical wall reinforcement in the top-most *story* with concrete walls shall be terminated with a 90-degree (1.57 rad) standard hook complying with Section R611.5.4.5 and Figure R611.5.4(3).

1. Vertical bars adjacent to door and window openings required by Section R611.8.1.2.

2. Vertical bars at the ends of required solid wall segments. See Section R611.7.2.2.2.
3. Vertical bars (other than end bars – see item 2) used as shear reinforcement in required solid wall segments where the reduction factor for design strength,  $R_3$ , used is based on the wall having horizontal and vertical shear reinforcement. See Section R611.7.2.2.3.

The bar extension of the hook shall be oriented parallel to the horizontal wall reinforcement and be within 4 inches (102 mm) of the top of the wall.

Horizontal reinforcement shall be continuous around the building corners by bending one of the bars and lap-splicing it with the bar in the other wall in accordance with Section R611.5.4.3 and Figure R611.5.4(1).

**Exception:** In lieu of bending horizontal reinforcement at corners, separate bent reinforcing bars shall be permitted provided that the bent bar is lap-spliced with the hori-

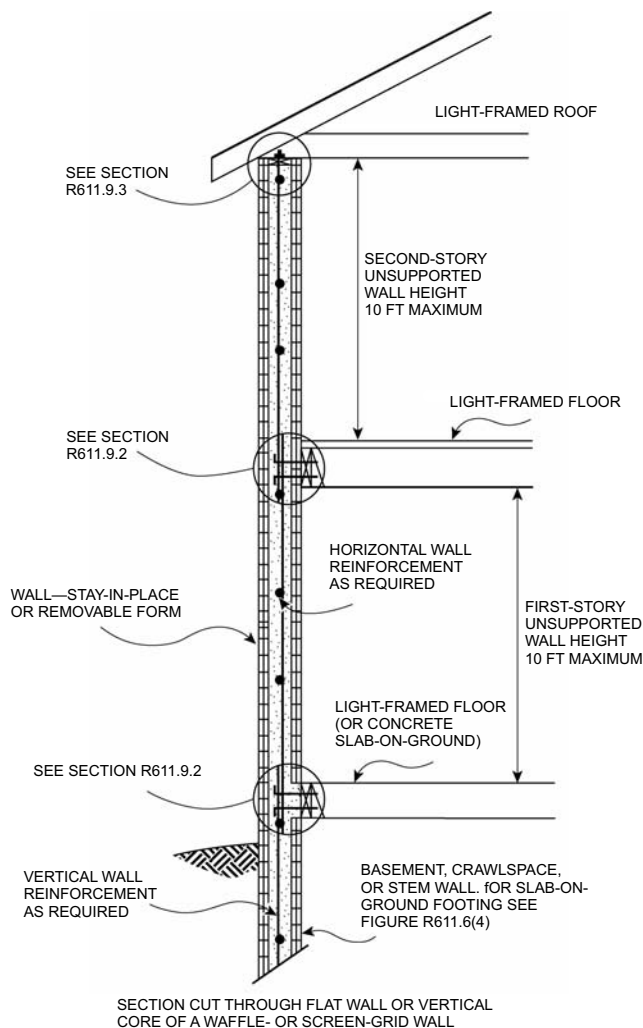
zontal reinforcement in both walls in accordance with Section R611.5.4.3 and Figure R611.5.4(1).

In required solid wall segments where the reduction factor for design strength,  $R_3$ , is based on the wall having horizontal and vertical shear reinforcement in accordance with Section R611.7.2.2.1, horizontal wall reinforcement shall be terminated with a standard hook complying with Section R611.5.4.5 and Figure R611.5.4(3) or in a lap-splice, except at corners where the reinforcement shall be continuous as required above.

**R611.6.5 Location of reinforcement in wall.** Except for vertical reinforcement at the ends of required solid wall segments, which shall be located as required by Section R611.7.2.2.2, the location of the vertical reinforcement shall not vary from the center of the wall by more than the greater of 10 percent of the wall thickness and  $\frac{3}{8}$ -inch (10 mm). Horizontal and vertical reinforcement shall be located to provide not less than the minimum cover required by Section R611.5.4.1.

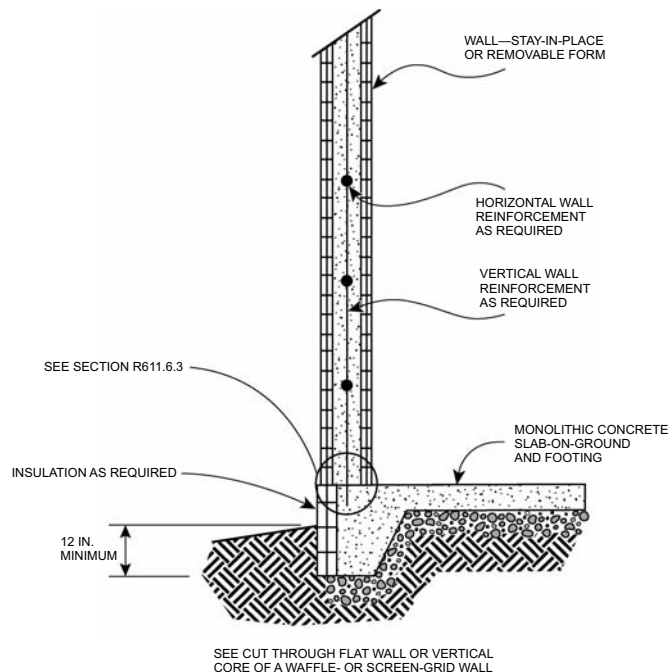
**R611.7 Solid walls for resistance to lateral forces.**

**R611.7.1 Length of solid wall.** Each exterior wall line in each story shall have a total length of solid wall required by Section R611.7.1.1. A solid wall is a section of flat, waffle-grid or screen-grid wall, extending the full story height without openings or penetrations, except those permitted by Section R611.7.2. Solid wall segments that contribute to the total length of solid wall shall comply with Section R611.7.2.



For SI: 1 foot = 304.8 mm.

**FIGURE R611.6(3)  
ABOVE-GRADE CONCRETE  
WALL CONSTRUCTION TWO-STORY**



For SI: 1 inch = 25.4 mm.

**FIGURE R611.6(4)  
ABOVE-GRADE CONCRETE WALL SUPPORTED ON  
MONOLITHIC SLAB-ON GROUND FOOTING**

**TABLE R611.6(1)**  
**MINIMUM VERTICAL REINFORCEMENT FOR FLAT ABOVE-GRADE WALLS<sup>a, b, c, d, e</sup>**

MAXIMUM WIND SPEED (mph)			MAXIMUM UNSUPPORTED WALL HEIGHT PER STORY (feet)	MINIMUM VERTICAL REINFORCEMENT—BAR SIZE AND SPACING (inches) <sup>f, g</sup>							
				Nominal <sup>h</sup> wall thickness (inches)							
Exposure Category				4		6		8		10	
B	C	D	Top <sup>i</sup>	Side <sup>i</sup>	Top <sup>i</sup>	Side <sup>i</sup>	Top <sup>i</sup>	Side <sup>i</sup>	Top <sup>i</sup>	Side <sup>i</sup>	
85	—	—	8	4@48	4@48	4@48	4@48	4@48	4@48	4@48	4@48
			9	4@48	4@43	4@48	4@48	4@48	4@48	4@48	4@48
			10	4@47	4@36	4@48	4@48	4@48	4@48	4@48	4@48
90	—	—	8	4@48	4@47	4@48	4@48	4@48	4@48	4@48	4@48
			9	4@48	4@39	4@48	4@48	4@48	4@48	4@48	4@48
			10	4@42	4@34	4@48	4@48	4@48	4@48	4@48	4@48
100	85	—	8	4@48	4@40	4@48	4@48	4@48	4@48	4@48	4@48
			9	4@42	4@34	4@48	4@48	4@48	4@48	4@48	4@48
			10	4@34	4@34	4@48	4@48	4@48	4@48	4@48	4@48
110	90	85	8	4@44	4@34	4@48	4@48	4@48	4@48	4@48	4@48
			9	4@34	4@34	4@48	4@48	4@48	4@48	4@48	4@48
			10	4@34	4@31	4@48	4@37	4@48	4@48	4@48	4@48
120	100	90	8	4@36	4@34	4@48	4@48	4@48	4@48	4@48	4@48
			9	4@34	4@32	4@48	4@38	4@48	4@48	4@48	4@48
			10	4@30	4@27	4@48	5@48	4@48	4@48	4@48	4@48
130	110	100	8	4@34	4@34	4@48	4@48	4@48	4@48	4@48	4@48
			9	4@32	4@28	4@48	4@33	4@48	4@48	4@48	4@48
			10	4@26	4@23	4@48	5@43	4@48	4@48	4@48	4@48

For SI: 1 inch = 25.4 mm; 1 foot = 304.8 mm; 1 mile per hour = 0.447 m/s, 1 pound per square inch = 1.895kPa.

- a. Table is based on ASCE 7 components and cladding wind pressures for an enclosed building using a mean roof height of 35 ft, interior wall area 4, an effective wind area of 10 ft<sup>2</sup>, and topographic factor,  $K_z$ , and importance factor,  $I$ , equal to 1.0.
- b. Table is based on concrete with a minimum specified compressive strength of 2,500 psi.
- c. See Section R611.6.5 for location of reinforcement in wall.
- d. Deflection criterion is  $L/240$ , where  $L$  is the unsupported height of the wall in inches.
- e. Interpolation is not permitted.
- f. Where No. 4 reinforcing bars at a spacing of 48 inches are specified in the table, use of bars with a minimum yield strength of 40,000 psi or 60,000 psi is permitted.
- g. Other than for No. 4 bars spaced at 48 inches on center, table values are based on reinforcing bars with a minimum yield strength of 60,000 psi. Vertical reinforcement with a yield strength of less than 60,000 psi and/or bars of a different size than specified in the table are permitted in accordance with Section R611.5.4.7 and Table R611.5.4(2).
- h. See Table R611.3 for tolerances on nominal thicknesses.
- i. Top means gravity load from roof and/or floor construction bears on top of wall. Side means gravity load from floor construction is transferred to wall from a wood ledger or cold-formed steel track bolted to side of wall. Where floor framing members span parallel to the wall, use of the top bearing condition is permitted.

**TABLE R611.6(2)**  
**MINIMUM VERTICAL REINFORCEMENT FOR WAFFLE-GRID ABOVE-GRADE WALLS<sup>a, b, c, d, e</sup>**

MAXIMUM WIND SPEED (mph)			MAXIMUM UNSUPPORTED WALL HEIGHT PER STORY (feet)	MINIMUM VERTICAL REINFORCEMENT—BAR SIZE AND SPACING (inches) <sup>f, g</sup>			
				Nominal <sup>h</sup> wall thickness (inches)			
Exposure Category				6		8	
				Top <sup>i</sup>	Side <sup>i</sup>	Top <sup>i</sup>	Side <sup>i</sup>
B	C	D					
85	—	—	8	4@48	4@36, 5@48	4@48	4@48
			9	4@48	4@30, 5@47	4@48	4@45
			10	4@48	4@26, 5@40	4@48	4@39
90	—	—	8	4@48	4@33, 5@48	4@48	4@48
			9	4@48	4@28, 5@43	4@48	4@42
			10	4@31, 5@48	4@24, 5@37	4@48	4@36
100	85	—	8	4@48	4@28, 5@44	4@48	4@43
			9	4@31, 5@48	4@24, 5@37	4@48	4@36
			10	4@25, 5@39	4@24, 5@37	4@48	4@31, 5@48
110	90	85	8	4@33, 5@48	4@25, 5@38	4@48	4@38
			9	4@26, 5@40	4@24, 5@37	4@48	4@31, 5@48
			10	4@24, 5@37	4@23, 5@35	4@48	4@27, 5@41
120	100	90	8	4@27, 5@42	4@24, 5@37	4@48	4@33, 5@48
			9	4@24, 5@37	4@23, 5@36	4@48	4@27, 5@43
			10	4@23, 5@35	4@19, 5@30	4@48	4@23, 5@36
130	110	100	8	4@24, 5@37	4@24, 5@37	4@48	4@29, 5@45
			9	4@24, 5@37	4@20, 5@32	4@48	4@24, 5@37
			10	4@19, 5@30	4@17, 5@26	4@23, 5@36	4@20, 5@31

For SI: 1 inch = 25.4 mm; 1 foot = 304.8 mm; 1 mile per hour = 0.447 m/s, 1 pound per square inch = 6.895kPa.

- a. Table is based on ASCE 7 components and cladding wind pressures for an enclosed building using a mean roof height of 35 ft (10 668 mm), interior wall area 4, an effective wind area of 10 ft<sup>2</sup> (0.9 m<sup>2</sup>), and topographic factor,  $K_{zt}$ , and importance factor,  $I$ , equal to 1.0.
- b. Table is based on concrete with a minimum specified compressive strength of 2,500 psi (17.2 MPa).
- c. See Section R611.6.5 for location of reinforcement in wall.
- d. Deflection criterion is  $L/240$ , where  $L$  is the unsupported height of the wall in inches.
- e. Interpolation is not permitted.
- f. Where No. 4 reinforcing bars at a spacing of 48 inches are specified in the table, use of bars with a minimum yield strength of 40,000 psi or 60,000 psi is permitted.
- g. Other than for No. 4 bars spaced at 48 inches on center, table values are based on reinforcing bars with a minimum yield strength of 60,000 psi. Maximum spacings shown are the values calculated for the specified bar size. Where the bar used is Grade 60 (420 MPa) and the size specified in the table, the actual spacing in the wall shall not exceed a whole-number multiple of 12 inches (i.e., 12, 24, 36 and 48) that is less than or equal to the tabulated spacing. Vertical reinforcement with a yield strength of less than 60,000 psi and/or bars of a different size than specified in the table are permitted in accordance with Section R611.5.4.7 and Table R611.5.4(2).
- h. See Table R611.3 for minimum core dimensions and maximum spacing of horizontal and vertical cores.
- i. Top means gravity load from roof and/or floor construction bears on top of wall. Side means gravity load from floor construction is transferred to wall from a wood ledger or cold-formed steel track bolted to side of wall. Where floor framing members span parallel to the wall, the top bearing condition is permitted to be used.

**TABLE R611.6(3)**  
**MINIMUM VERTICAL REINFORCEMENT FOR 6-INCH SCREEN-GRID ABOVE-GRADE WALLS<sup>a, b, c, d, e</sup>**

MAXIMUM WIND SPEED (mph)			MAXIMUM UNSUPPORTED WALL HEIGHT PER STORY (feet)	MINIMUM VERTICAL REINFORCEMENT—BAR SIZE AND SPACING (inches) <sup>f, g</sup>	
				Nominal <sup>h</sup> wall thickness (inches)	
B	C	D		6	
			Top <sup>i</sup>	Side <sup>i</sup>	
85	—	—	8	4@48	4@34, 5@48
			9	4@48	4@29, 5@45
			10	4@48	4@25, 5@39
90	—	—	8	4@48	4@31, 5@48
			9	4@48	4@27, 5@41
			10	4@30, 5@47	4@23, 5@35
100	85	—	8	4@48	4@27, 5@42
			9	4@30, 5@47	4@23, 5@35
			10	4@24, 5@38	4@22, 5@34
110	90	85	8	4@48	4@24, 5@37
			9	4@25, 5@38	4@22, 5@34
			10	4@22, 5@34	4@22, 5@34
120	100	90	8	4@26, 5@41	4@22, 5@34
			9	4@22, 5@34	4@22, 5@34
			10	4@22, 6@34	4@19, 5@26
130	110	100	8	4@22, 5@35	4@22, 5@34
			9	4@22, 5@34	4@20, 5@30
			10	4@19, 5@29	4@16, 5@25

For SI: 1 inch = 25.4 mm; 1 foot = 304.8 mm; 1 mph = 0.447 m/s, pound per square inch = 6.895kPa.

- a. Table is based on ASCE 7 components and cladding wind pressures for an enclosed building using a mean roof height of 35 ft, interior wall area 4, an effective wind area of 10 ft<sup>2</sup>, and topographic factor,  $K_{zt}$ , and importance factor,  $I$ , equal to 1.0.
- b. Table is based on concrete with a minimum specified compressive strength of 2,500 psi.
- c. See Section R611.6.5 for location of reinforcement in wall.
- d. Deflection criterion is  $L/240$ , where  $L$  is the unsupported height of the wall in inches.
- e. Interpolation is not permitted.
- f. Where No. 4 reinforcing bars at a spacing of 48 inches are specified in the table, use of bars with a minimum yield strength of 40,000 psi or 60,000 psi is permitted.
- g. Other than for No. 4 bars spaced at 48 inches on center, table values are based on reinforcing bars with a minimum yield strength of 60,000 psi (420 MPa). Maximum spacings shown are the values calculated for the specified bar size. Where the bar used is Grade 60 and the size specified in the table, the actual spacing in the wall shall not exceed a whole-number multiple of 12 inches (i.e., 12, 24, 36 and 48) that is less than or equal to the tabulated spacing. Vertical reinforcement with a yield strength of less than 60,000 psi and/or bars of a different size than specified in the table are permitted in accordance with Section R611.5.4.7 and Table R611.5.4(2).
- h. See Table R611.3 for minimum core dimensions and maximum spacing of horizontal and vertical cores.
- i. Top means gravity load from roof and/or floor construction bears on top of wall. Side means gravity load from floor construction is transferred to wall from a wood ledger or cold-formed steel track bolted to side of wall. Where floor framing members span parallel to the wall, use of the top bearing condition is permitted.



**TABLE R611.6(4)**  
**MINIMUM VERTICAL REINFORCEMENT FOR FLAT, WAFFLE- AND SCREEN-GRID ABOVE-GRADE WALLS**  
**DESIGNED CONTINUOUS WITH FOUNDATION STEM WALLS<sup>a, b, c, d, e, k, l</sup>**

MAXIMUM WIND SPEED (mph)			HEIGHT OF STEM WALL <sup>h, i</sup> (feet)	MAXIMUM DESIGN LATERAL SOIL LOAD (psf/ft)	MAXIMUM UNSUPPORTED HEIGHT OF ABOVE-GRADE WALL (feet)	MINIMUM VERTICAL REINFORCEMENT—BAR SIZE AND SPACING (inches) <sup>f, g</sup>						
						Wall type and nominal thickness <sup>j</sup> (inches)						
Exposure Category						Flat			Waffle		Screen	
B	C	D				4	6	8	10	6	8	6
85	—	—	3	30	8	4@33	4@39	4@48	4@48	4@24	4@28	4@22
				60	10	4@26	5@48	4@41	4@48	4@19	4@22	4@18
			6	30	10	DR	5@22	6@35	6@43	DR	4@11	DR
				60	10	DR	DR	6@26	6@28	DR	DR	DR
90	—	—	3	30	8	4@30	4@36	4@48	4@48	4@22	4@26	4@21
				60	10	4@20	5@37	4@48	4@41	4@15	4@18	4@14
			6	30	10	DR	5@21	6@35	6@41	DR	4@10	DR
				60	10	DR	DR	6@26	6@28	DR	DR	DR
100	85	—	3	30	8	4@26	5@48	4@42	4@48	4@19	4@23	4@18
				60	10	4@17	5@34	5@44	4@36	4@13	4@17	4@12
			6	30	10	DR	5@20	6@35	6@38	DR	4@9	DR
				60	10	DR	DR	6@24	6@28	DR	DR	DR
110	90	85	3	30	8	4@22	5@42	4@37	4@46	4@16	4@20	4@16
				60	10	4@17	5@34	5@44	4@35	4@12	4@17	4@12
			6	30	10	DR	5@18	6@35	6@35	DR	4@9	DR
				60	10	DR	DR	6@23	6@28	DR	DR	DR
120	100	90	3	30	8	4@19	5@37	5@48	4@40	4@14	4@17	4@14
				60	10	4@14	5@34	5@38	5@48	4@11	4@17	4@10
			6	30	10	4@13	5@33	6@48	5@43	4@10	4@16	4@9
				60	10	DR	5@16	6@33	6@32	DR	4@8	DR
130	110	100	3	30	8	4@17	5@34	5@44	4@36	4@12	4@17	4@10
				60	10	DR	5@32	6@47	5@42	4@9	4@15	DR
			6	30	10	DR	5@29	6@43	5@39	DR	4@14	DR
				60	10	DR	5@15	6@30	6@29	DR	4@7	DR

- For SI: 1 inch = 25.4 mm; 1 foot = 304.8 mm; 1 mile per hour = 0.447 m/s; 1 pound per square foot per foot = 0.1571kPa/m.
- Table is based on ASCE 7 components and cladding wind pressures for an enclosed building using a mean roof height of 35 ft (10 668 mm), interior wall area 4, an effective wind area of 10 ft<sup>2</sup>, and topographic factor,  $K_{zt}$ , and importance factor,  $I$ , equal to 1.0.
  - Table is based on concrete with a minimum specified compressive strength of 2,500 psi.
  - See Section R611.6.5 for location of reinforcement in wall.
  - Deflection criterion is  $L/240$ , where  $L$  is the height of the wall in inches from the exterior finish ground level to the top of the above-grade wall.
  - Interpolation is not permitted. For intermediate values of basic wind speed, heights of stem wall and above-grade wall, and design lateral soil load, use next higher value.
  - Where No. 4 reinforcing bars at a spacing of 48 inches are specified in the table, use of bars with a minimum yield strength of 40,000 psi or 60,000 psi is permitted.
  - Other than for No. 4 bars spaced at 48 inches on center, table values are based on reinforcing bars with a minimum yield strength of 60,000 psi. Maximum spacings shown are the values calculated for the specified bar size. In waffle and screen-grid walls where the bar used is Grade 60 and the size specified in the table, the actual spacing in the wall shall not exceed a whole-number multiple of 12 inches (i.e., 12, 24, 36 and 48) that is less than or equal to the tabulated spacing. Vertical reinforcement with a yield strength of less than 60,000 psi and/or bars of a different size than specified in the table are permitted in accordance with Section R611.5.4.7 and Table R611.5.4(2).
  - Height of stem wall is the distance from the exterior finish ground level to the top of the slab-on-ground.
  - Where the distance from the exterior finish ground level to the top of the slab-on-ground is equal to or greater than 4 feet, the stem wall shall be laterally supported at the top and bottom before backfilling. Where the wall is designed and constructed to be continuous with the above-grade wall, temporary supports bracing the top of the stem wall shall remain in place until the above-grade wall is laterally supported at the top by floor or roof construction.
  - See Table R611.3 for tolerances on nominal thicknesses, and minimum core dimensions and maximum spacing of horizontal and vertical cores for waffle- and screen-grid walls.
  - Tabulated values are applicable to construction where gravity loads bear on top of wall, and conditions where gravity loads from floor construction are transferred to wall from a wood ledger or cold-formed steel track bolted to side of wall. See Tables R611.6(1), R611.6(2) and R611.6(3).
  - DR indicates design required.



**R611.7.1.1 Length of solid wall for wind.** All buildings shall have solid walls in each exterior endwall line (the side of a building that is parallel to the span of the roof or floor framing) and sidewall line (the side of a building that is perpendicular to the span of the roof or floor framing) to resist lateral in-plane wind forces. The site-appropriate basic wind speed and exposure category shall be used in Tables R611.7(1A) through (1C) to determine the unreduced total length,  $UR$ , of solid wall required in each exterior endwall line and sidewall line. For buildings with a mean roof height of less than 35 feet (10 668 mm), the unreduced values determined from Tables R611.7(1A) through (1C) is permitted by multiplying by the applicable factor,  $R_1$ , from Table R611.7(2); however, reduced values shall not be less than the minimum values in Tables R611.7(1A) through (1C). Where the floor-to-ceiling height of a *story* is less than 10 feet (3048 mm), the unreduced values determined from Tables R611.7(1A) through (1C), including minimum values, is permitted to be reduced by multiplying by the applicable factor,  $R_2$ , from Table R611.7(3). To account for different design strengths than assumed in determining the values in Tables R611.7(1A) through (1C), the unreduced lengths determined from Tables R611.7(1A) through (1C), including minimum values, are permitted to be reduced by multiplying by the applicable factor,  $R_3$ , from Table R611.7(4). The reductions permitted by Tables R611.7(2), R611.7(3) and R611.7(4) are cumulative.

The total length of solid wall segments,  $TL$ , in a wall line that comply with the minimum length requirements of Section R611.7.2.1 [see Figure R611.7(1)] shall be equal to or greater than the product of the unreduced length of solid wall from Tables R611.7(1A) through (1C),  $UR$  and the applicable reduction factors, if any, from Tables R611.7(2), R611.7(3) and R611.7(4) as indicated by Equation R611-1.

$$TL \geq R_1 \cdot R_2 \cdot R_3 \cdot UR \quad \text{(Equation R611-1)}$$

Where

$TL$  = total length of solid wall segments in a wall line that comply with Section R611.7.2.1 [see Figure R611.7(1)], and

$R_1$  = 1.0 or reduction factor for mean roof height from Table R611.7(2),

$R_2$  = 1.0 or reduction factor for floor-to-ceiling wall height from Table R611.7(3),

$R_3$  = 1.0 or reduction factor for design strength from Table R611.7(4), and

$UR$  = unreduced length of solid wall from Tables R611.7(1A) through (1C).

The total length of solid wall in a wall line,  $TL$ , shall not be less than that provided by two solid wall segments complying with the minimum length requirements of Section R611.7.2.1.

To facilitate determining the required wall thickness, wall type, number and *grade* of vertical bars at the each end of each solid wall segment, and whether shear reinforcement is required, use of Equation R611-2 is permitted.

$$R_3 \leq \frac{TL}{R_1 \cdot R_2 \cdot UR} \quad \text{(Equation R611-2)}$$

After determining the maximum permitted value of the reduction factor for design strength,  $R_3$ , in accordance with Equation R611-2, select a wall type from Table R611.7(4) with  $R_3$  less than or equal to the value calculated.

**R611.7.2 Solid wall segments.** Solid wall segments that contribute to the required length of solid wall shall comply with this section. Reinforcement shall be provided in accordance with Section R611.7.2.2 and Table R611.7(4). Solid wall segments shall extend the full story-height without openings, other than openings for the utilities and other building services passing through the wall. In flat walls and waffle-grid walls, such openings shall have an area of less than 30 square inches (19 355 mm<sup>2</sup>) with no dimension exceeding 6<sup>1</sup>/<sub>4</sub> inches (159 mm), and shall not be located within 6 inches (152 mm) of the side edges of the solid wall segment. In screen-grid walls, such openings shall be located in the portion of the solid wall segment between horizontal and vertical cores of concrete and opening size and location are not restricted provided no concrete is removed.

**R611.7.2.1 Minimum length of solid wall segment and maximum spacing.**

Only solid wall segments equal to or greater than 24 inches (610 mm) in length shall be included in the total length of solid wall required by Section R611.7.1. In addition, no more than two solid wall segments equal to or greater than 24 inches (610 mm) in length and less than 48 inches (1219 mm) in length shall be included in the required total length of solid wall. The maximum clear opening width shall be 18 feet (5486 mm). See Figure R611.7(1).

**R611.7.2.2 Reinforcement in solid wall segments.**

**R611.7.2.2.1 Horizontal shear reinforcement.**

Where reduction factors for design strength,  $R_3$ , from Table R611.7(4) based on horizontal and vertical shear reinforcement being provided are used, solid wall segments shall have horizontal reinforcement consisting of minimum No. 4 bars. Horizontal shear reinforcement shall be the same grade of steel required for the vertical reinforcement at the ends of solid wall segments by Section R611.7.2.2.2.

The spacing of horizontal reinforcement shall not exceed the smaller of one-half the length of the solid wall segment, minus 2 inches (51 mm), and 18 inches (457 mm). Horizontal shear reinforcement shall terminate in accordance with Section R611.6.4.

**R611.7.2.2.2 Vertical reinforcement.** Vertical reinforcement applicable to the reduction factor(s) for design strength,  $R_3$ , from Table R611.7(4) that is used, shall be located at each end of each solid wall segment in accordance with the applicable detail in Figure R611.7(2). The No. 4 vertical bar required on each side of an opening by Section R611.8.1.2 is permitted to be used as reinforcement at the ends of solid wall segments where installed in accordance with the applicable detail in Figure R611.7(2). There shall be not less than two No. 4 bars at each end of solid wall segments located as required by the applicable detail in Figure R611.7(2). One of the bars at each end of solid wall segments shall be deemed to meet the requirements for vertical wall reinforcement required by Section R611.6.

The vertical wall reinforcement at each end of each solid wall segment shall be developed below the bottom of the adjacent wall opening [see Figure R611.7(3)] by one of the following methods:

1. Where the wall height below the bottom of the adjacent opening is equal to or greater than 22 inches (559 mm) for No. 4 or 28 inches (711 mm) for No. 5 vertical wall reinforcement, reinforcement around openings in accordance with Section R611.8.1 shall be sufficient, or
2. Where the wall height below the bottom of the adjacent opening is less than required by Item 1 above, the vertical wall reinforcement adjacent to the opening shall extend into the footing far enough to develop the bar in tension in accordance with Section R611.5.4.4 and Figure R611.5.4(2), or shall be lap-spliced with a dowel that is embedded in the footing far enough to develop the dowel-bar in tension.

**R611.7.2.2.3 Vertical shear reinforcement.** Where reduction factors for design strength,  $R_3$ , from Table R611.7(4) based on horizontal and vertical shear reinforcement being provided are used, solid wall segments shall have vertical reinforcement consisting of minimum No. 4 bars. Vertical shear reinforcement shall be the same grade of steel required by Section R611.7.2.2.2 for the vertical reinforcement at the ends of solid wall segments. The spacing of vertical reinforcement throughout the length of the segment shall not exceed the smaller of one third the length of the segment, and 18 inches (457 mm). Vertical shear reinforcement shall be continuous between stories in accordance with Section R611.6.3, and shall terminate in accordance with Section R611.6.4. Vertical shear reinforcement required by this section is permitted to be used for vertical reinforcement required by Table R611.6(1), R611.6(2), R611.6(3) or R611.6(4), whichever is applicable.

**R611.7.2.3 Solid wall segments at corners.** At all interior and exterior corners of exterior walls, a solid wall segment shall extend the full height of each wall *story*. The segment shall have the length required to develop the horizontal reinforcement above and below the adjacent opening in tension in accordance with Section R611.5.4.4. For an exterior corner, the limiting dimension is measured on the outside of the wall, and for an interior corner the limiting dimension is measured on the inside of the wall. See Section R611.8.1. The length of a segment contributing to the required length of solid wall shall comply with Section R611.7.2.1.

The end of a solid wall segment complying with the minimum length requirements of Section R611.7.2.1 shall be located no more than 6 feet (1829 mm) from each corner.

### **R611.8 Requirements for lintels and reinforcement around openings.**

**R611.8.1 Reinforcement around openings.** Reinforcement shall be provided around openings in walls equal to or greater than 2 feet (610 mm) in width in accordance with this section and Figure R611.8(1), in addition to the minimum wall reinforcement required by Sections R404.1.2, R611.6 and R611.7. Vertical wall reinforcement required by this section is permitted to be used as reinforcement at the ends of solid wall segments required by Section R611.7.2.2.2 provided it is located in accordance with Section R611.8.1.2. Wall openings shall have a minimum depth of concrete over the width of the opening of 8 inches (203 mm) in flat walls and waffle-grid walls, and 12 inches (305 mm) in screen-grid walls. Wall openings in waffle-grid and screen-grid walls shall be located such that not less than one-half of a vertical core occurs along each side of the opening.

**R611.8.1.1 Horizontal reinforcement.** Lintels complying with Section R611.8.2 shall be provided above wall openings equal to or greater than 2 feet (610 mm) in width.

**Exception:** Continuous horizontal wall reinforcement placed within 12 inches (305 mm) of the top of the wall *story* as required in Sections R404.1.2.2 and R611.6.2 is permitted in lieu of top or bottom lintel reinforcement required by Section R611.8.2 provided that the continuous horizontal wall reinforcement meets the location requirements specified in Figures R611.8(2), R611.8(3), and R611.8(4) and the size requirements specified in Tables R611.8(2) through R611.8(10).

Openings equal to or greater than 2 feet (610 mm) in width shall have a minimum of one No. 4 bar placed within 12 inches (305 mm) of the bottom of the opening. See Figure R611.8(1).

Horizontal reinforcement placed above and below an opening shall extend beyond the edges of the opening the dimension required to develop the bar in tension in accordance with Section R611.5.4.4.

**TABLE R611.7(1A)**  
**UNREDUCED LENGTH, UR, OF SOLID WALL REQUIRED IN EACH EXTERIOR ENDWALL FOR WIND PERPENDICULAR TO RIDGE**  
**ONE STORY OR TOP STORY OF TWO-STORY<sup>a,c,d,e,f,g</sup>**

SIDEWALL LENGTH (feet)	ENDWALL LENGTH (feet)	ROOF SLOPE	UNREDUCED LENGTH, UR, OF SOLID WALL REQUIRED IN ENDWALLS FOR WIND PERPENDICULAR TO RIDGE (feet)							
			Basic Wind Speed (mph) Exposure							Minimum <sup>b</sup>
			85B	90B	100B	110B	120B	130B		
					85C	90C	100C	110C		
			85D	90D	100D					
15	15	< 1:12	0.90	1.01	1.25	1.51	1.80	2.11	0.98	
		5:12	1.25	1.40	1.73	2.09	2.49	2.92	1.43	
		7:12	1.75	1.96	2.43	2.93	3.49	4.10	1.64	
		12:12	2.80	3.13	3.87	4.68	5.57	6.54	2.21	
	30	< 1:12	0.90	1.01	1.25	1.51	1.80	2.11	1.09	
		5:12	1.25	1.40	1.73	2.09	2.49	2.92	2.01	
		7:12	2.43	2.73	3.37	4.08	4.85	5.69	2.42	
		12:12	4.52	5.07	6.27	7.57	9.01	10.58	3.57	
	45	< 1:12	0.90	1.01	1.25	1.51	1.80	2.11	1.21	
		5:12	1.25	1.40	1.73	2.09	2.49	2.92	2.59	
		7:12	3.12	3.49	4.32	5.22	6.21	7.29	3.21	
		12:12	6.25	7.00	8.66	10.47	12.45	14.61	4.93	
	60	< 1:12	0.90	1.01	1.25	1.51	1.80	2.11	1.33	
		5:12	1.25	1.40	1.73	2.09	2.49	2.92	3.16	
		7:12	3.80	4.26	5.26	6.36	7.57	8.89	3.99	
		12:12	7.97	8.94	11.05	13.36	15.89	18.65	6.29	
30	15	< 1:12	1.61	1.80	2.23	2.70	3.21	3.77	1.93	
		5:12	2.24	2.51	3.10	3.74	4.45	5.23	2.75	
		7:12	3.15	3.53	4.37	5.28	6.28	7.37	3.12	
		12:12	4.90	5.49	6.79	8.21	9.77	11.46	4.14	
	30	< 1:12	1.61	1.80	2.23	2.70	3.21	3.77	2.14	
		5:12	2.24	2.51	3.10	3.74	4.45	5.23	3.78	
		7:12	4.30	4.82	5.96	7.20	8.57	10.05	4.52	
		12:12	7.79	8.74	10.80	13.06	15.53	18.23	6.57	
	45	< 1:12	1.61	1.80	2.23	2.70	3.21	3.77	2.35	
		5:12	2.24	2.51	3.10	3.74	4.45	5.23	4.81	
		7:12	5.44	6.10	7.54	9.12	10.85	12.73	5.92	
		12:12	10.69	11.98	14.81	17.90	21.30	25.00	9.00	
	60	< 1:12	1.61	1.80	2.23	2.70	3.21	3.77	2.56	
		5:12	2.24	2.51	3.10	3.74	4.45	5.23	5.84	
		7:12	6.59	7.39	9.13	11.04	13.14	15.41	7.32	
		12:12	13.58	15.22	18.82	22.75	27.07	31.77	11.43	

(continued)

**TABLE R611.7(1A)—continued**  
**UNREDUCED LENGTH, *U<sub>R</sub>*, OF SOLID WALL REQUIRED IN EACH EXTERIOR ENDWALL FOR WIND PERPENDICULAR TO RIDGE**  
**ONE STORY OR TOP STORY OF TWO-STORY<sup>a,c,d,e,f,g</sup>**

SIDEWALL LENGTH (feet)	ENDWALL LENGTH (feet)	ROOF SLOPE	UNREDUCED LENGTH, <i>U<sub>R</sub></i> , OF SOLID WALL REQUIRED IN ENDWALLS FOR WIND PERPENDICULAR TO RIDGE (feet)						
			Basic Wind Speed (mph) Exposure						
			85B	90B	100B	110B	120B	130B	Minimum <sup>b</sup>
					85C	90C	100C	110C	
			85D	90D	100D				
60	15	< 1:12	2.99	3.35	4.14	5.00	5.95	6.98	3.83
		5:12	4.15	4.65	5.75	6.95	8.27	9.70	5.37
		7:12	5.91	6.63	8.19	9.90	11.78	13.83	6.07
		12:12	9.05	10.14	12.54	15.16	18.03	21.16	8.00
	30	< 1:12	2.99	3.35	4.14	5.00	5.95	6.98	4.23
		5:12	4.15	4.65	5.75	6.95	8.27	9.70	7.31
		7:12	7.97	8.94	11.05	13.36	15.89	18.65	8.71
		12:12	14.25	15.97	19.74	23.86	28.40	33.32	12.57
	45	< 1:12	3.11	3.48	4.30	5.20	6.19	7.26	4.63
		5:12	4.31	4.84	5.98	7.23	8.60	10.09	9.25
		7:12	10.24	11.47	14.19	17.15	20.40	23.84	11.35
		12:12	19.84	22.24	27.49	33.23	39.54	46.40	17.14
	60	< 1:12	3.22	3.61	4.46	5.39	6.42	7.53	5.03
		5:12	4.47	5.01	6.19	7.49	8.91	10.46	11.19
		7:12	12.57	14.09	17.42	21.05	25.05	29.39	13.99
		12:12	25.61	28.70	35.49	42.90	51.04	59.90	21.71

- For SI: 1 inch = 25.4 mm; 1 foot = 304.8 mm; 1 mile per hour = 0.447 m/s, 1 pound-force per linear foot = 0.146kN/m, 1 pound per square foot = 47.88 Pa.
- a. Tabulated lengths were derived by calculating design wind pressures in accordance with Figure 6-10 of ASCE 7 for a building with a mean roof height of 35 feet (10 668 mm). For wind perpendicular to the ridge, the effects of a 2-foot overhang on each endwall are included. The design pressures were used to calculate forces to be resisted by solid wall segments in each endwall [Table R611.7(1A) or R611.7(1B) or sidewall (Table R611.7(1C)], as appropriate. The forces to be resisted by each wall line were then divided by the default design strength of 840 pounds per linear foot (12.26 kN/m) of length to determine the required solid wall length. The actual mean roof height of the building shall not exceed the least horizontal dimension of the building.
  - b. Tabulated lengths in the “minimum” column are based on the requirement of Section 6.1.4.1 of ASCE 7 that the main wind-force resisting system be designed for a minimum service level force of 10 psf multiplied by the area of the building projected onto a vertical plane normal to the assumed wind direction. Tabulated lengths in shaded cells are less than the “minimum” value. Where the minimum controls, it is permitted to be reduced in accordance with Notes c, d and e. See Section R611.7.1.1.
  - c. For buildings with a mean roof height of less than 35 feet, tabulated lengths are permitted to be reduced by multiplying by the appropriate factor, *R<sub>1</sub>*, from Table R611.7(2). The reduced length shall not be less than the “minimum” value shown in the table.
  - d. Tabulated lengths for “one story or top story of two-story” are based on a floor-to-ceiling height of 10 feet. Tabulated lengths for “first story of two-story” are based on floor-to-ceiling heights of 10 feet each for the first and second story. For floor-to-ceiling heights less than assumed, use the lengths in Table R611.7(1A), (1B) or (1C), or multiply the value in the table by the reduction factor, *R<sub>2</sub>*, from Table R611.7(3).
  - e. Tabulated lengths are based on the default design shear strength of 840 pounds per linear foot of solid wall segment. The tabulated lengths are permitted to be reduced by multiplying by the applicable reduction factor for design strength, *R<sub>3</sub>*, from Table R611.7(4).
  - f. The reduction factors, *R<sub>1</sub>*, *R<sub>2</sub>*, and *R<sub>3</sub>*, in Tables R611.7(2), R611.7(3), and R611.7(4), respectively, are permitted to be compounded, subject to the limitations of Note b. However, the minimum number and minimum length of solid walls segments in each wall line shall comply with Sections R611.7.1 and R611.7.2.1, respectively.
  - g. For intermediate values of sidewall length, endwall length, roof slope and basic wind speed, use the next higher value, or determine by interpolation.

**TABLE R611.7(1B)**  
**UNREDUCED LENGTH, UR, OF SOLID WALL REQUIRED IN EACH EXTERIOR ENDWALL FOR WIND PERPENDICULAR TO RIDGE**  
**FIRST STORY OF TWO-STORY<sup>a,c,d,e,f,g</sup>**

SIDEWALL LENGTH (feet)	ENDWALL LENGTH (feet)	ROOF SLOPE	UNREDUCED LENGTH, UR, OF SOLID WALL REQUIRED IN ENDWALLS FOR WIND PERPENDICULAR TO RIDGE (feet)							
			Basic Wind Speed (mph) Exposure							Minimum <sup>b</sup>
			85B	90B	100B	110B	120B	130B		
					85C	90C	100C	110C		
					85D	90D	100D			
Velocity pressure (psf)										
			11.51	12.90	15.95	19.28	22.94	26.92		
15	15	< 1:12	2.60	2.92	3.61	4.36	5.19	6.09	2.59	
		5:12	3.61	4.05	5.00	6.05	7.20	8.45	3.05	
		7:12	3.77	4.23	5.23	6.32	7.52	8.82	3.26	
		12:12	4.81	5.40	6.67	8.06	9.60	11.26	3.83	
	30	< 1:12	2.60	2.92	3.61	4.36	5.19	6.09	2.71	
		5:12	3.61	4.05	5.00	6.05	7.20	8.45	3.63	
		7:12	4.45	4.99	6.17	7.46	8.88	10.42	4.04	
		12:12	6.54	7.33	9.06	10.96	13.04	15.30	5.19	
	45	< 1:12	2.60	2.92	3.61	4.36	5.19	6.09	2.83	
		5:12	3.61	4.05	5.00	6.05	7.20	8.45	4.20	
		7:12	5.14	5.76	7.12	8.60	10.24	12.01	4.83	
		12:12	8.27	9.27	11.46	13.85	16.48	19.34	6.55	
	60	< 1:12	2.60	2.92	3.61	4.36	5.19	6.09	2.95	
		5:12	3.61	4.05	5.00	6.05	7.20	8.45	4.78	
		7:12	5.82	6.52	8.06	9.75	11.60	13.61	5.61	
		12:12	9.99	11.20	13.85	16.74	19.92	23.37	7.90	
30	15	< 1:12	4.65	5.21	6.45	7.79	9.27	10.88	5.16	
		5:12	6.46	7.24	8.95	10.82	12.87	15.10	5.98	
		7:12	6.94	7.78	9.62	11.62	13.83	16.23	6.35	
		12:12	8.69	9.74	12.04	14.55	17.32	20.32	7.38	
	30	< 1:12	4.65	5.21	6.45	7.79	9.27	10.88	5.38	
		5:12	6.46	7.24	8.95	10.82	12.87	15.10	7.01	
		7:12	8.09	9.06	11.21	13.54	16.12	18.91	7.76	
		12:12	11.58	12.98	16.05	19.40	23.08	27.09	9.81	
	45	< 1:12	4.65	5.21	6.45	7.79	9.27	10.88	5.59	
		5:12	6.46	7.24	8.95	10.82	12.87	15.10	8.04	
		7:12	9.23	10.35	12.79	15.46	18.40	21.59	9.16	
		12:12	14.48	16.22	20.06	24.25	28.85	33.86	12.24	
	60	< 1:12	4.65	5.21	6.45	7.79	9.27	10.88	5.80	
		5:12	6.46	7.24	8.95	10.82	12.87	15.10	9.08	
		7:12	10.38	11.63	14.38	17.38	20.69	24.27	10.56	
		12:12	17.37	19.47	24.07	29.10	34.62	40.63	14.67	

(continued)

**TABLE R611.7(1B)—continued**  
**UNREDUCED LENGTH, UR, OF SOLID WALL REQUIRED IN EACH EXTERIOR ENDWALL FOR WIND PERPENDICULAR TO RIDGE**  
**FIRST STORY OF TWO-STORY<sup>a,c,d,e,f,g</sup>**

SIDEWALL LENGTH (feet)	ENDWALL LENGTH (feet)	ROOF SLOPE	UNREDUCED LENGTH, UR, OF SOLID WALL REQUIRED IN ENDWALLS FOR WIND PERPENDICULAR TO RIDGE (feet)						
			Basic Wind Speed (mph) Exposure						Minimum <sup>b</sup>
			85B	90B	100B	110B	120B	130B	
					85C	90C	100C	110C	
			85D	90D	100D				
			Velocity Pressure (psf)						
			11.51	12.90	15.95	19.28	22.94	26.92	
60	15	< 1:12	8.62	9.67	11.95	14.45	17.19	20.17	10.30
		5:12	11.98	13.43	16.61	20.07	23.88	28.03	11.85
		7:12	13.18	14.78	18.27	22.08	26.28	30.83	12.54
		12:12	16.32	18.29	22.62	27.34	32.53	38.17	14.48
	30	< 1:12	8.62	9.67	11.95	14.45	17.19	20.17	10.70
		5:12	11.98	13.43	16.61	20.07	23.88	28.03	13.79
		7:12	15.25	17.09	21.13	25.54	30.38	35.66	15.18
		12:12	21.52	24.12	29.82	36.05	42.89	50.33	19.05
	45	< 1:12	8.97	10.06	12.43	15.03	17.88	20.99	11.10
		5:12	12.46	13.97	17.27	20.88	24.84	29.15	15.73
		7:12	17.67	19.80	24.48	29.59	35.21	41.32	17.82
		12:12	27.27	30.56	37.79	45.68	54.35	63.78	23.62
	60	< 1:12	9.30	10.43	12.89	15.58	18.54	21.76	11.50
		5:12	12.91	14.47	17.90	21.63	25.74	30.20	17.67
		7:12	20.14	22.58	27.91	33.74	40.15	47.11	20.46
		12:12	33.19	37.19	45.99	55.59	66.14	77.62	28.19

- For SI: 1 inch = 25.4 mm; 1 foot = 304.8 mm; 1 mile per hour = 0.447 m/s, 1 pound force per linear foot = 0.146kN/m, 1 pound per square foot = 47.88 Pa.
- Tabulated lengths were derived by calculating design wind pressures in accordance with Figure 6-10 of ASCE 7 for a building with a mean roof height of 35 feet (10 668 mm). For wind perpendicular to the ridge, the effects of a 2-foot (610 mm) overhang on each endwall are included. The design pressures were used to calculate forces to be resisted by solid wall segments in each endwall [Table R611.7(1A) or R611.7(1B)] or sidewall [Table R611.7(1C)], as appropriate. The forces to be resisted by each wall line were then divided by the default design strength of 840 pounds per linear foot (12.26 kN/m) of length to determine the required solid wall length. The actual mean roof height of the building shall not exceed the least horizontal dimension of the building.
  - Tabulated lengths in the “minimum” column are based on the requirement of Section 6.1.4.1 of ASCE 7 that the main wind-force resisting system be designed for a minimum service level force of 10 psf multiplied by the area of the building projected onto a vertical plane normal to the assumed wind direction. Tabulated lengths in shaded cells are less than the “minimum” value. Where the minimum controls, it is permitted to be reduced in accordance with Notes c, d and e. See Section R611.7.1.1.
  - For buildings with a mean roof height of less than 35 feet tabulated lengths are permitted to be reduced by multiplying by the appropriate factor,  $R_1$ , from Table R611.7(2). The reduced length shall not be less than the “minimum” value shown in the table.
  - Tabulated lengths for “one story or top story of two-story” are based on a floor-to-ceiling height of 10 feet. Tabulated lengths for “first story of two-story” are based on floor-to-ceiling heights of 10 feet each for the first and second story. For floor-to-ceiling heights less than assumed, use the lengths in Table R611.7(1A), (1B) or (1C), or multiply the value in the table by the reduction factor,  $R_2$ , from Table R611.7(3).
  - Tabulated lengths are based on the default design shear strength of 840 pounds per linear foot of solid wall segment. The tabulated lengths are permitted to be reduced by multiplying by the applicable reduction factor for design strength,  $R_3$ , from Table R611.7(4).
  - The reduction factors,  $R_1$ ,  $R_2$ , and  $R_3$ , in Tables R611.7(2), R611.7(3), and R611.7(4), respectively, are permitted to be compounded, subject to the limitations of Note b. However, the minimum number and minimum length of solid walls segments in each wall line shall comply with Sections R611.7.1 and R611.7.2.1, respectively.
  - For intermediate values of sidewall length, endwall length, roof slope and basic wind speed, use the next higher value, or determine by interpolation.



WALL CONSTRUCTION

**TABLE R611.7(1C)**  
**UNREDUCED LENGTH, UR, OF SOLID WALL REQUIRED IN EACH EXTERIOR SIDEWALL FOR WIND PARALLEL TO RIDGE<sup>a,c,d,e,f,g</sup>**

SIDEWALL LENGTH (feet)	ENDWALL LENGTH (feet)	ROOF SLOPE	UNREDUCED LENGTH, UR, OF SOLID WALL REQUIRED IN ENDWALLS FOR WIND PERPENDICULAR TO RIDGE (feet)							Minimum <sup>b</sup>
			Basic Wind Speed (mph) Exposure							
			85B	90B	100B	110B	120B	130B		
					85C	90C	100C	110C		
					85D	90D	100D			
			One story or top story of two-story							
< 30	15	< 1:12	0.95	1.06	1.31	1.59	1.89	2.22	0.90	
		5:12	1.13	1.26	1.56	1.88	2.24	2.63	1.08	
		7:12	1.21	1.35	1.67	2.02	2.40	2.82	1.17	
		12:12	1.43	1.60	1.98	2.39	2.85	3.34	1.39	
	30	< 1:12	1.77	1.98	2.45	2.96	3.53	4.14	1.90	
		5:12	2.38	2.67	3.30	3.99	4.75	5.57	2.62	
		7:12	2.66	2.98	3.69	4.46	5.31	6.23	2.95	
		12:12	3.43	3.85	4.76	5.75	6.84	8.03	3.86	
	45	< 1:12	2.65	2.97	3.67	4.43	5.27	6.19	2.99	
		5:12	3.98	4.46	5.51	6.66	7.93	9.31	4.62	
		7:12	4.58	5.14	6.35	7.68	9.14	10.72	5.36	
		12:12	6.25	7.01	8.67	10.48	12.47	14.63	7.39	
	60	< 1:12	3.59	4.03	4.98	6.02	7.16	8.40	4.18	
		5:12	5.93	6.65	8.22	9.93	11.82	13.87	7.07	
		7:12	6.99	7.83	9.69	11.71	13.93	16.35	8.38	
		12:12	9.92	11.12	13.75	16.62	19.77	23.21	12.00	
60	45	< 1:12	2.77	3.11	3.84	4.65	5.53	6.49	2.99	
		5:12	4.15	4.66	5.76	6.96	8.28	9.72	4.62	
		7:12	4.78	5.36	6.63	8.01	9.53	11.18	5.36	
		12:12	6.51	7.30	9.03	10.91	12.98	15.23	7.39	
	60	< 1:12	3.86	4.32	5.35	6.46	7.69	9.02	4.18	
		5:12	6.31	7.08	8.75	10.57	12.58	14.76	7.07	
		7:12	7.43	8.32	10.29	12.44	14.80	17.37	8.38	
		12:12	10.51	11.78	14.56	17.60	20.94	24.57	12.00	
<b>First story of two-story</b>										
< 30	15	< 1:12	2.65	2.97	3.67	4.44	5.28	6.20	2.52	
		5:12	2.83	3.17	3.92	4.74	5.64	6.62	2.70	
		7:12	2.91	3.26	4.03	4.87	5.80	6.80	2.79	
		12:12	3.13	3.51	4.34	5.25	6.24	7.32	3.01	
	30	< 1:12	4.81	5.39	6.67	8.06	9.59	11.25	5.14	
		5:12	5.42	6.08	7.52	9.09	10.81	12.69	5.86	
		7:12	5.70	6.39	7.90	9.55	11.37	13.34	6.19	
		12:12	6.47	7.25	8.97	10.84	12.90	15.14	7.10	
	45	< 1:12	6.99	7.83	9.69	11.71	13.93	16.35	7.85	
		5:12	8.32	9.33	11.53	13.94	16.59	19.47	9.48	
		7:12	8.93	10.01	12.37	14.95	17.79	20.88	10.21	
		12:12	10.60	11.88	14.69	17.75	21.13	24.79	12.25	
	60	< 1:12	9.23	10.35	12.79	15.46	18.40	21.59	10.65	
		5:12	11.57	12.97	16.03	19.38	23.06	27.06	13.54	
		7:12	12.63	14.15	17.50	21.15	25.17	29.54	14.85	
		12:12	15.56	17.44	21.56	26.06	31.01	36.39	18.48	

(continued)

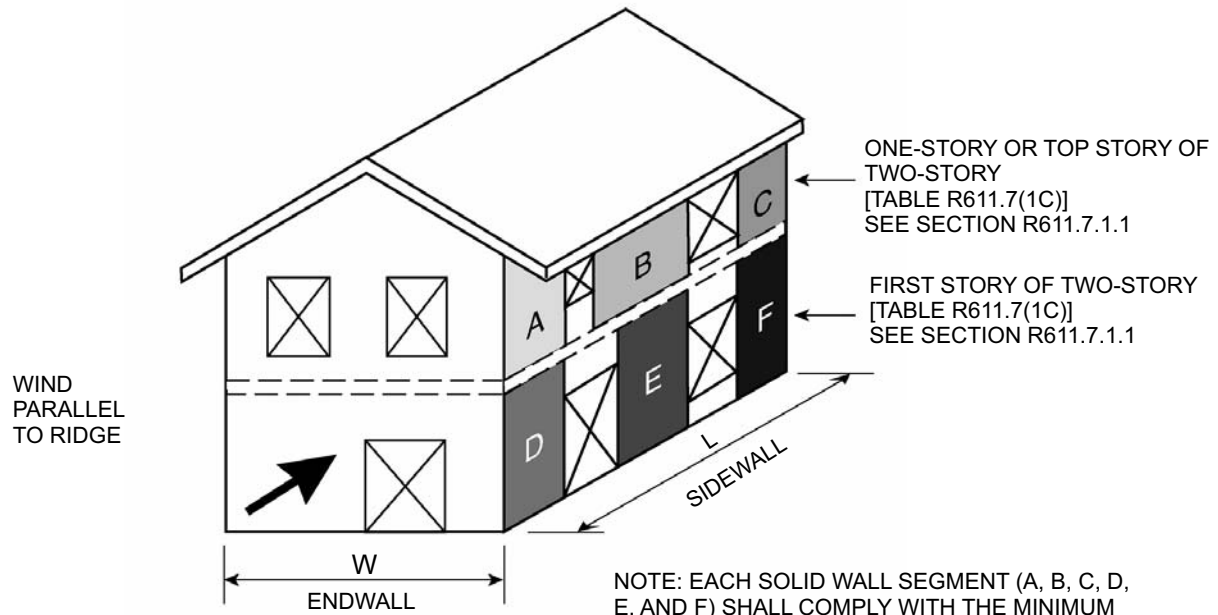
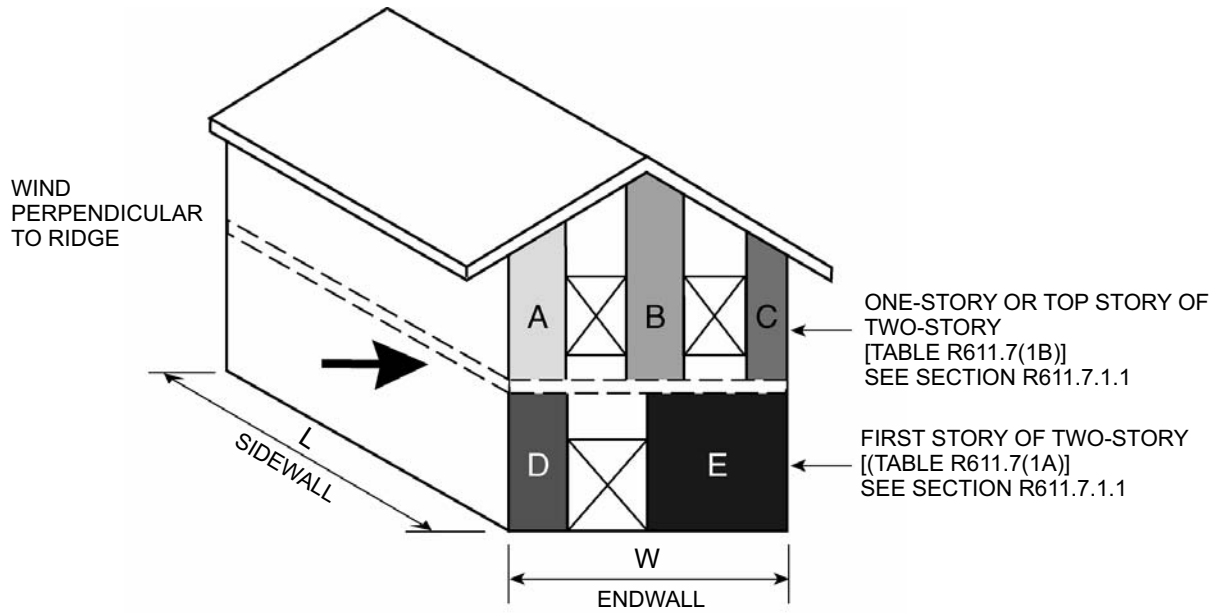
**TABLE R611.7(1C)—continued**  
**UNREDUCED LENGTH, *U<sub>R</sub>*, OF SOLID WALL REQUIRED IN EACH EXTERIOR ENDWALL FOR WIND PERPENDICULAR TO RIDGE**  
**FIRST STORY OF TWO-STORY<sup>a,c,d,e,f,g</sup>**

SIDEWALL LENGTH (feet)	ENDWALL LENGTH (feet)	ROOF SLOPE	UNREDUCED LENGTH, <i>U<sub>R</sub></i> , OF SOLID WALL REQUIRED IN ENDWALLS FOR WIND PERPENDICULAR TO RIDGE (feet)							
			Basic Wind Speed (mph) Exposure							Minimum <sup>b</sup>
			85B	90B	100B	110B	120B	130B		
					85C	90C	100C	110C		
						85D	90D	100D		
60	45	< 1:12	7.34	8.22	10.17	12.29	14.62	17.16	7.85	
		5:12	8.72	9.77	12.08	14.60	17.37	20.39	9.48	
		7:12	9.34	10.47	12.95	15.65	18.62	21.85	10.21	
		12:12	11.08	12.41	15.35	18.55	22.07	25.90	12.25	
	60	< 1:12	9.94	11.14	13.77	16.65	19.81	23.25	10.65	
		5:12	12.40	13.89	17.18	20.76	24.70	28.99	13.54	
		7:12	13.51	15.14	18.72	22.63	26.92	31.60	14.85	
		12:12	16.59	18.59	22.99	27.79	33.06	38.80	18.48	

- For SI: 1 inch = 25.4 mm, 1 foot = 304.8 mm, 1 mile per hour = 0.447 m/s, 1 pound force per linear foot = 0.146kN/m, 1 pound per square foot = 47.88 Pa.
- Tabulated lengths were derived by calculating design wind pressures in accordance with Figure 6-10 of ASCE 7 for a building with a mean roof height of 35 feet (10 668 mm). For wind perpendicular to the ridge, the effects of a 2-foot (610 mm) overhang on each endwall are included. The design pressures were used to calculate forces to be resisted by solid wall segments in each endwall [Table R611.7(1A) or R611.7(1B)] or sidewall [(Table R611.7(1C)], as appropriate. The forces to be resisted by each wall line were then divided by the default design strength of 840 pounds per linear foot (12.26 kN/m) of length to determine the required solid wall length. The actual mean roof height of the building shall not exceed the least horizontal dimension of the building.
  - Tabulated lengths in the “minimum” column are based on the requirement of Section 6.1.4.1 of ASCE 7 that the main wind-force resisting system be designed for a minimum service level force of 10 psf multiplied by the area of the building projected onto a vertical plane normal to the assumed wind direction. Tabulated lengths in shaded cells are less than the “minimum” value. Where the minimum controls, it is permitted to be reduced in accordance with Notes c, d and e. See Section R611.7.1.1.
  - For buildings with a mean roof height of less than 35 feet, tabulated lengths are permitted to be reduced by multiplying by the appropriate factor,  $R_1$ , from Table R611.7(2). The reduced length shall not be less than the “minimum” value shown in the table.
  - Tabulated lengths for “one story or top story of two-story” are based on a floor-to-ceiling height of 10 feet. Tabulated lengths for “first story of two-story” are based on floor-to-ceiling heights of 10 feet each for the first and second story. For floor-to-ceiling heights less than assumed, use the lengths in Table R611.7(1A), (1B) or (1C), or multiply the value in the table by the reduction factor,  $R_2$ , from Table R611.7(3).
  - Tabulated lengths are based on the default design shear strength of 840 pounds per linear foot of solid wall segment. The tabulated lengths are permitted to be reduced by multiplying by the applicable reduction factor for design strength,  $R_3$ , from Table R611.7(4).
  - The reduction factors,  $R_1$ ,  $R_2$ , and  $R_3$ , in Tables R611.7(2), R611.7(3), and R611.7(4), respectively, are permitted to be compounded, subject to the limitations of Note b. However, the minimum number and minimum length of solid walls segments in each wall line shall comply with Sections R611.7.1 and R611.7.2.1, respectively.
  - For intermediate values of sidewall length, endwall length, roof slope and basic wind speed, use the next higher value, or determine by interpolation.



**WALL CONSTRUCTION**



NOTE: EACH SOLID WALL SEGMENT (A, B, C, D, E, AND F) SHALL COMPLY WITH THE MINIMUM SOLID WALL SEGMENT LENGTH IN ORDER TO BE APPLICABLE TO THE MINIMUM SOLID WALL LENGTH EQUATIONS IN SECTION R611.7.1.1. SEE SECTION R611.7.2

**FIGURE R611.7(1)  
MINIMUM SOLID WALL LENGTH**

DETAIL NO.	NOM. WALL THICKNESS, IN.	REINFORCEMENT LAYOUT AT ENDS OF SOLID WALL SEGMENTS	NOTES
1	4		<p>For SI: 1 inch = 25.4 mm.</p> <ol style="list-style-type: none"> <li>See Table R611.7(4) for use of details.</li> <li>Minimum length of solid wall segment and size and grade of reinforcement in each end of each solid wall segment shall be determined from Table R611.7(4).</li> <li>For minimum cover requirements, see Section R611.5.4.1.</li> <li>For details 3 - 8 where two or more bars are in the same row parallel to the end of the segment, place bars so that corner bars are as close to the sides of the wall segments as minimum cover requirements of Section R611.5.4.1 will permit.</li> <li>For waffle- and screen-grid walls, each end of each solid wall segment shall have rectangular flanges. In the through-the-wall dimension, the flange shall not be less than 5½ inches for 6-inch nominal waffle- and screen-grid forms, and not less than 7½ inches for 8-inch nominal waffle-grid forms. In the in-plane dimension, flanges shall be long enough to accommodate the vertical reinforcement required by the layout detail selected and provide the cover required by Section R611.5.4.1 if necessary to achieve the required dimensions, form material shall be removed or flat wall forms are permitted. See Table R611.7(4), Note e.</li> </ol>
2	4		
3	6 8 10		
4	6		
5	8		
6	8		
7	10		
8	10	<p>* For minimum cover see Section R611.5.4.1</p>	

FIGURE R611.7(2)  
VERTICAL REINFORCEMENT LAYOUT DETAIL

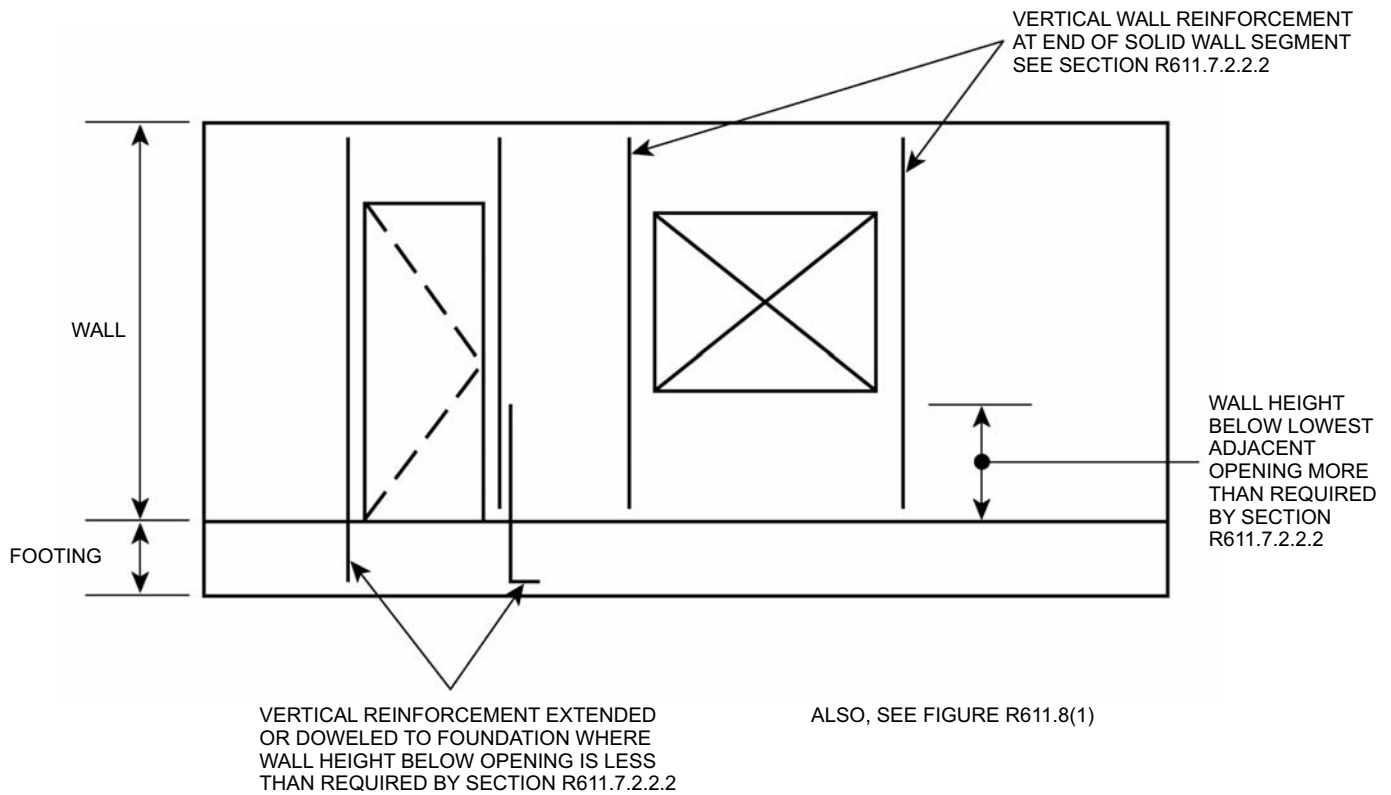
**WALL CONSTRUCTION**

**TABLE R611.7(2)  
REDUCTION FACTOR,  $R_1$ , FOR BUILDINGS WITH MEAN ROOF HEIGHT LESS THAN 35 FEET<sup>a</sup>**

MEAN ROOF HEIGHT <sup>b,c</sup> (feet)	REDUCTION FACTOR $R_1$ , FOR MEAN ROOF HEIGHT		
	Exposure category		
	B	C	D
< 15	0.96	0.84	0.87
20	0.96	0.89	0.91
25	0.96	0.93	0.94
30	0.96	0.97	0.98
35	1.00	1.00	1.00

For SI: 1 foot = 304.8 mm.

- a. See Section R611.7.1.1 and note c to Table R611.7(1A) for application of reduction factors in this table. This reduction is not permitted for “minimum” values.
- b. For intermediate values of mean roof height, use the factor for the next greater height, or determine by interpolation.
- c. Mean roof height is the average of the roof eave height and height of the highest point on the roof surface, except that for roof slopes of less than or equal to 2<sup>1</sup>/<sub>8</sub>:12 (10 degrees), the mean roof height is permitted to be taken as the roof eave height.



**FIGURE R611.7(3)  
VERTICAL WALL REINFORCEMENT ADJACENT TO WALL OPENINGS**

**TABLE R611.7(3)**  
**REDUCTION FACTOR,  $R_2$ , FOR FLOOR-TO-CEILING WALL HEIGHTS LESS THAN 10 FEET<sup>a,b</sup>**

STORY UNDER CONSIDERATION	FLOOR-TO-CEILING HEIGHT <sup>c</sup> (feet)	ENDWALL LENGTH (feet)	ROOF SLOPE	REDUCTION FACTOR, $R_2$
<b>Endwalls—for wind perpendicular to ridge</b>				
One story or top story of two-story	8	15	< 5:12	0.83
			7:12	0.90
			12:12	0.94
		60	< 5:12	0.83
			7:12	0.95
			12:12	0.98
First story of two-story	16 combined first and second story	15	< 5:12	0.83
			7:12	0.86
			12:12	0.89
		60	< 5:12	0.83
			7:12	0.91
			12:12	0.95
<b>Sidewalls—for wind parallel to ridge</b>				
One story or top story of two-story	8	15	< 1:12	0.84
			5:12	0.87
			7:12	0.88
			12:12	0.89
		60	< 1:12	0.86
			5:12	0.92
			7:12	0.93
			12:12	0.95
First story of two-story	16 combined first and second story	15	< 1:12	0.83
			5:12	0.84
			7:12	0.85
			12:12	0.86
		60	< 1:12	0.84
			5:12	0.87
			7:12	0.88
			12:12	0.90

For SI: 1 foot = 304.8 mm.

a. See Section R611.7.1.1 and Note d to Table R611.7(1A) for application of reduction factors in this table.

b. For intermediate values of endwall length, and/or roof slope, use the next higher value, or determine by interpolation.

c. Tabulated values in Table R611.7(1A) and (1C) for “one story or top story of two-story” are based on a floor-to-ceiling height of 10 feet (3048 mm). Tabulated values in Table R611.7(1B) and (1C) for “first story of two-story” are based on floor-to-ceiling heights of 10 feet each for the first and second story. For floor to ceiling heights between those shown in this table and those assumed in Table R611.7(1A), (1B) or (1C), use the solid wall lengths in Table R611.7(1A), (1B) or (1C), or determine the reduction factor by interpolating between 1.0 and the factor shown in this table.

**TABLE R611.7(4)**  
**REDUCTION FACTOR FOR DESIGN STRENGTH,  $R_3$ , FOR FLAT, WAFFLE- AND SCREEN-GRID WALLS<sup>a,c</sup>**

NOMINAL THICKNESS OF WALL (inches)	VERTICAL BARS AT EACH END OF SOLID WALL SEGMENT		VERTICAL REINFORCEMENT LAYOUT DETAIL [see Figure R611.7(2)]	REDUCTION FACTOR, $R_3$ , FOR LENGTH OF SOLID WALL			
	Number of bars	Bar size		Horizontal and vertical shear reinforcement provided			
				No		Yes <sup>d</sup>	
				40,000 <sup>b</sup>	60,000 <sup>b</sup>	40,000 <sup>b</sup>	60,000 <sup>b</sup>
<b>Flat walls</b>							
4	2	4	1	0.74	0.61	0.74	0.50
	3	4	2	0.61	0.61	0.52	0.27
	2	5	1	0.61	0.61	0.48	0.25
	3	5	2	0.61	0.61	0.26	0.18
6	2	4	3	0.70	0.48	0.70	0.48
	3	4	4	0.49	0.38	0.49	0.33
	2	5	3	0.46	0.38	0.46	0.31
	3	5	4	0.38	0.38	0.32	0.16
8	2	4	3	0.70	0.47	0.70	0.47
	3	4	5	0.47	0.32	0.47	0.32
	2	5	3	0.45	0.31	0.45	0.31
	4	4	6	0.36	0.28	0.36	0.25
	3	5	5	0.31	0.28	0.31	0.16
	4	5	6	0.28	0.28	0.24	0.12
10	2	4	3	0.70	0.47	0.70	0.47
	2	5	3	0.45	0.30	0.45	0.30
	4	4	7	0.36	0.25	0.36	0.25
	6	4	8	0.25	0.22	0.25	0.13
	4	5	7	0.24	0.22	0.24	0.12
	6	5	8	0.22	0.22	0.12	0.08
<b>Waffle-grid walls<sup>e</sup></b>							
6	2	4	3	0.78	0.78	0.70	0.48
	3	4	4	0.78	0.78	0.49	0.25
	2	5	3	0.78	0.78	0.46	0.23
	3	5	4	0.78	0.78	0.24	0.16
8	2	4	3	0.78	0.78	0.70	0.47
	3	4	5	0.78	0.78	0.47	0.24
	2	5	3	0.78	0.78	0.45	0.23
	4	4	6	0.78	0.78	0.36	0.18
	3	5	5	0.78	0.78	0.23	0.16
	4	5	6	0.78	0.78	0.18	0.13
<b>Screen-grid walls<sup>e</sup></b>							
6	2	4	3	0.93	0.93	0.70	0.48
	3	4	4	0.93	0.93	0.49	0.25
	2	5	3	0.93	0.93	0.46	0.23
	3	5	4	0.93	0.93	0.24	0.16

For SI: 1 inch = 25.4 mm; 1,000 pounds per square inch = 6.895 MPa.

- a. See note e to Table R611.7(1A) for application of adjustment factors in this table.
- b. Yield strength in pounds per square inch of vertical wall reinforcement at ends of solid wall segments.
- c. Values are based on concrete with a specified compressive strength,  $f'_c$ , of 2,500 psi. Where concrete with  $f'_c$  of not less than 3,000 psi is used, values in shaded cells are permitted to be decreased by multiplying by 0.91.
- d. Horizontal and vertical shear reinforcement shall be provided in accordance with Section R611.7.2.2.
- e. Each end of each solid wall segment shall have rectangular flanges. In the through-the-wall dimension, the flange shall not be less than 5 1/2 inches for 6-inch nominal waffle- and screen-grid walls, and not less than 7 1/2 inches for 8-inch nominal waffle-grid walls. In the in-plane dimension, flanges shall be long enough to accommodate the vertical reinforcement required by the layout detail selected from Figure R611.7(2) and provide the cover required by Section R611.5.4.1. If necessary to achieve the required dimensions, form material shall be removed or use of flat wall forms is permitted.

**R611.8.1.2 Vertical reinforcement.** Not less than one No. 4 bar [Grade 40 (280 MPa)] shall be provided on each side of openings equal to or greater than 2 feet (610 mm) in width. The vertical reinforcement required by this section shall extend the full height of the wall *story* and shall be located within 12 inches (305 mm) of each side of the opening. The vertical reinforcement required on each side of an opening by this section is permitted to serve as reinforcement at the ends of solid wall segments in accordance with Section R611.7.2.2.2, provided it is located as required by the applicable detail in Figure R611.7(2). Where the vertical reinforcement required by this section is used to satisfy the requirements of Section R611.7.2.2.2 in waffle- and screen-grid walls, a concrete flange shall be created at the ends of the solid wall segments in accordance with Table R611.7(4), note e. In the top-most *story*, the reinforcement shall terminate in accordance with Section R611.6.4.

**R611.8.2 Lintels.** Lintels shall be provided over all openings equal to or greater than 2 feet (610 mm) in width. Lintels with uniform loading shall conform to Sections R611.8.2.1, and R611.8.2.2, or Section R611.8.2.3. Lintels supporting concentrated loads, such as from roof or floor beams or girders, shall be designed in accordance with ACI 318.

**R611.8.2.1 Lintels designed for gravity load-bearing conditions.** Where a lintel will be subjected to gravity load condition 1 through 5 of Table R611.8(1), the clear span of the lintel shall not exceed that permitted by Tables R611.8(2) through R611.8(8). The maximum clear span of lintels with and without stirrups in flat walls shall be determined in accordance with Tables R611.8(2) through R611.8(5), and constructed in accordance with Figure R611.8(2). The maximum clear span of lintels with and without stirrups in waffle-grid walls shall be determined in accordance with Tables R611.8(6) and R611.8(7), and constructed in accordance with Figure R611.8(3). The maximum clear span of lintels with and without stirrups in screen-grid walls shall be determined in accordance with Table R611.8(8), and constructed in accordance with Figure R611.8(4).

Where required by the applicable table, No. 3 stirrups shall be installed in lintels at a maximum spacing of  $d/2$  where  $d$  equals the depth of the lintel,  $D$ , less the cover of the concrete as shown in Figures R611.8(2) through R611.8(4). The smaller value of  $d$  computed for the top and bottom bar shall be used to determine the maximum stirrup spacing. Where stirrups are required in a lintel with a single bar or two bundled bars in the top and bottom, they shall be fabricated like the letter “c” or “s” with

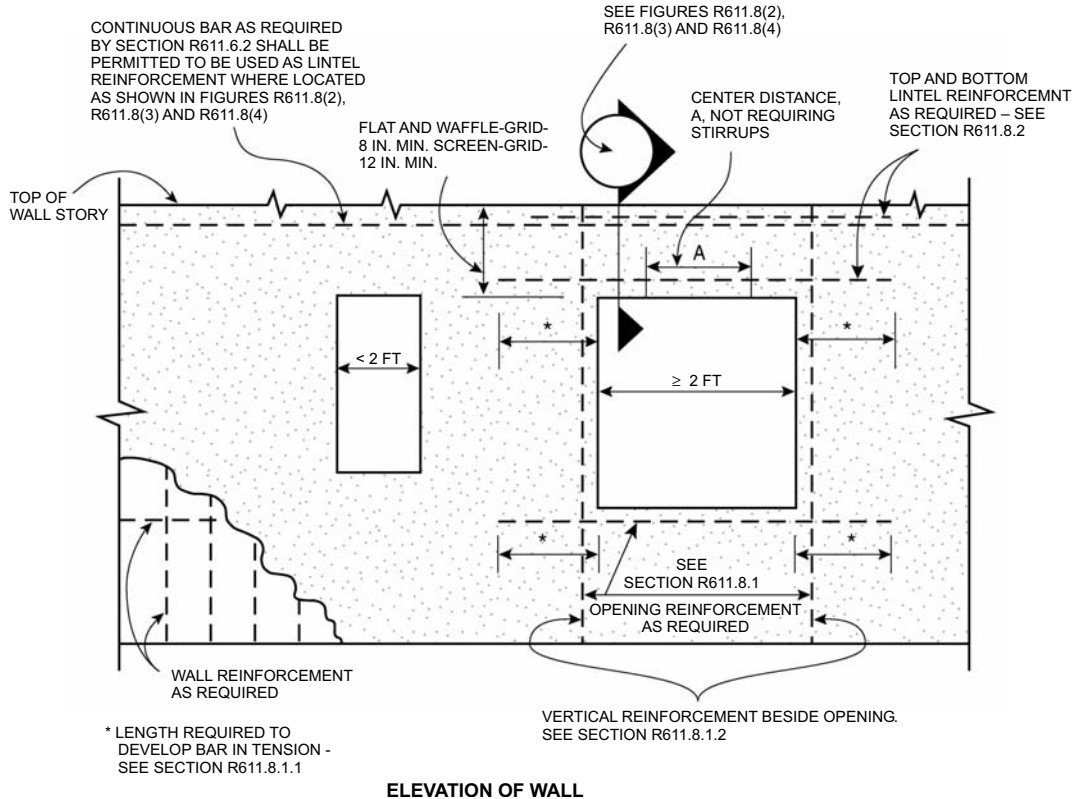
135-degree (2.36 rad) standard hooks at each end that comply with Section R611.5.4.5 and Figure R611.5.4(3) and installed as shown in Figures R611.8(2) through R611.8(4). Where two bars are required in the top and bottom of the lintel and the bars are not bundled, the bars shall be separated by a minimum of 1 inch (25 mm). The free end of the stirrups shall be fabricated with 90- or 135-degree (1.57 or 2.36 rad) standard hooks that comply with Section R611.5.4.5 and Figure R611.5.4(3) and installed as shown in Figures R611.8(2) and R611.8(3). For flat, waffle-grid and screen-grid lintels, stirrups are not required in the center distance,  $A$ , portion of spans in accordance with Figure R611.8(1) and Tables R611.8(2) through R611.8(8). See Section R611.8.2.2, item 5, for requirement for stirrups throughout lintels with bundled bars.

**R611.8.2.2 Bundled bars in lintels.** It is permitted to bundle two bars in contact with each other in lintels if all of the following are observed:

1. Bars no larger than No. 6 are bundled.
2. Where the wall thickness is not sufficient to provide not less than 3 inches (76 mm) of clear space beside bars (total on both sides) oriented horizontally in a bundle, the bundled bars shall be oriented in a vertical plane.
3. Where vertically oriented bundled bars terminate with standard hooks to develop the bars in tension beyond the support (see Section R611.5.4.4), the hook extensions shall be staggered to provide a minimum of one inch (25 mm) clear spacing between the extensions.
4. Bundled bars shall not be lap spliced within the lintel span and the length on each end of the lintel that is required to develop the bars in tension.
5. Bundled bars shall be enclosed within stirrups throughout the length of the lintel. Stirrups and the installation thereof shall comply with Section R611.8.2.1.

**R611.8.2.3 Lintels without stirrups designed for nonload-bearing conditions.** The maximum clear span of lintels without stirrups designed for nonload-bearing conditions of Table R611.8(1).1 shall be determined in accordance with this section. The maximum clear span of lintels without stirrups in flat walls shall be determined in accordance with Table R611.8(9), and the maximum clear span of lintels without stirrups in walls of waffle-grid or screen-grid construction shall be determined in accordance with Table R611.8(10).

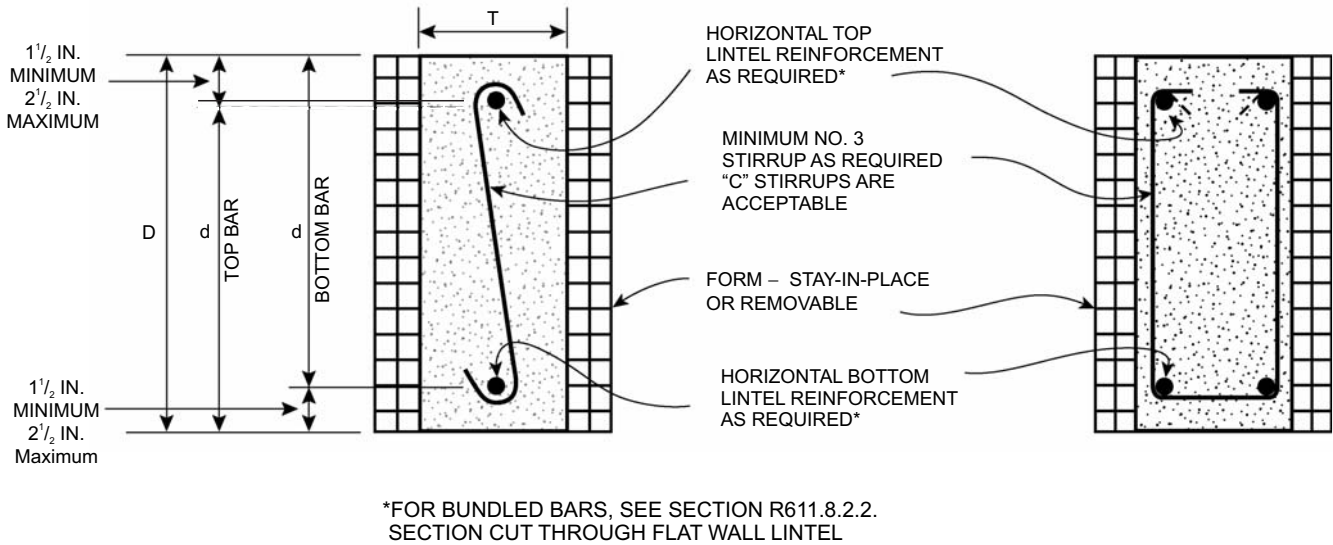
**WALL CONSTRUCTION**



**ELEVATION OF WALL**

For SI: 1 inch = 25.4 mm, 1 foot = 304.8 mm.

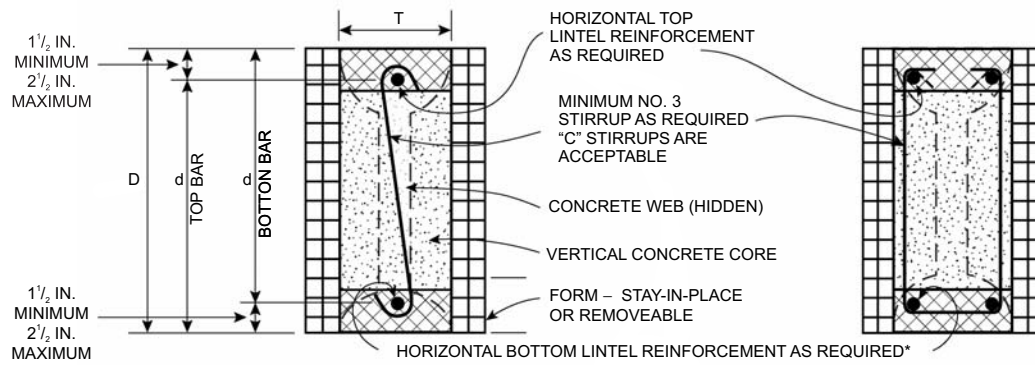
**FIGURE R611.8(1)  
REINFORCEMENT OF OPENINGS**



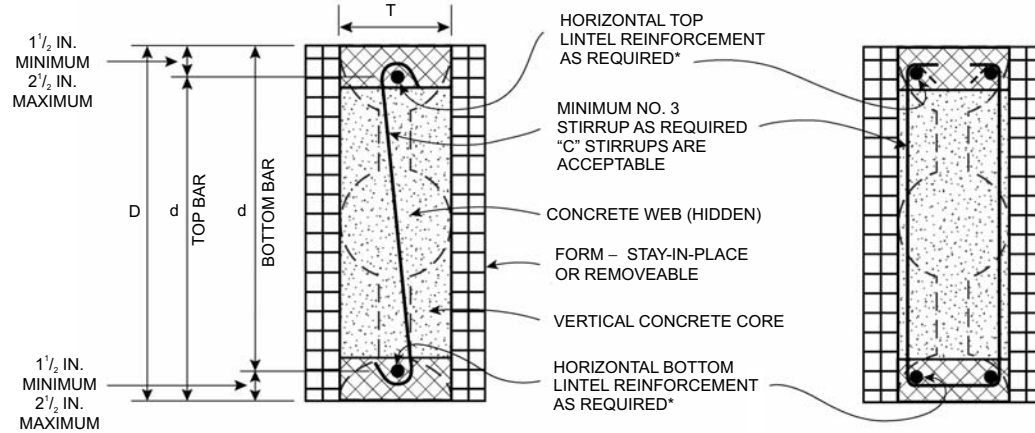
For SI: 1 inch = 25.4 mm.

**FIGURE R611.8(2)  
LINTEL FOR FLAT WALLS**





(a) SINGLE FORM HEIGHT SECTION CUT THROUGH VERTICAL CORE OF A WAFFLE-GRID LINTEL



(b) DOUBLE FORM HEIGHT SECTION CUT THROUGH VERTICAL CORE OF A WAFFLE-GRID LINTEL

\*FOR BUNDLED BARS, SEE SECTION R611.8.2.2.

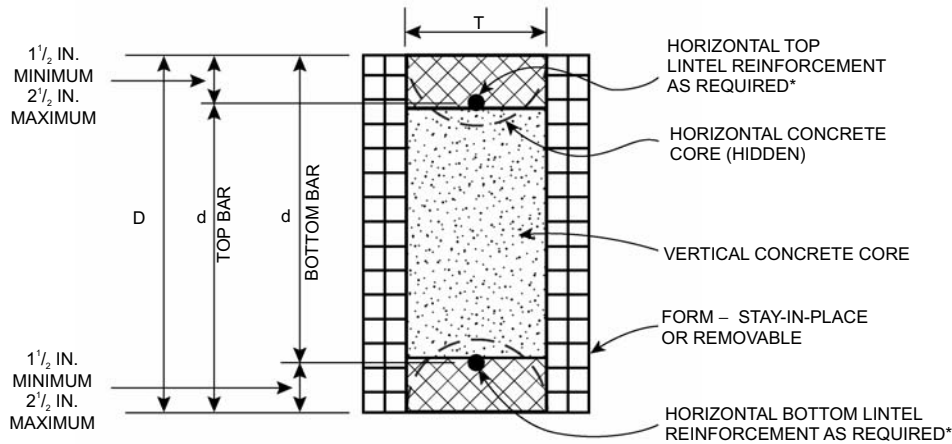
NOTE: CROSS-HATCHING REPRESENTS THE AREA IN WHICH FORM MATERIAL SHALL BE REMOVED, IF NECESSARY, TO CREATE FLANGES CONTINUOUS THE LENGTH OF THE LINTEL. FLANGES SHALL HAVE A MINIMUM THICKNESS OF 3 IN., AND A MINIMUM WIDTH OF 5 IN. AND 7 IN. IN 6 IN. NOMINAL AND 8 IN. NOMINAL WAFFLE-GRID WALLS, RESPECTIVELY. SEE NOTE a TO TABLES R611.8(6) AND R611.8(10).

For SI: 1 inch = 25.4 mm.

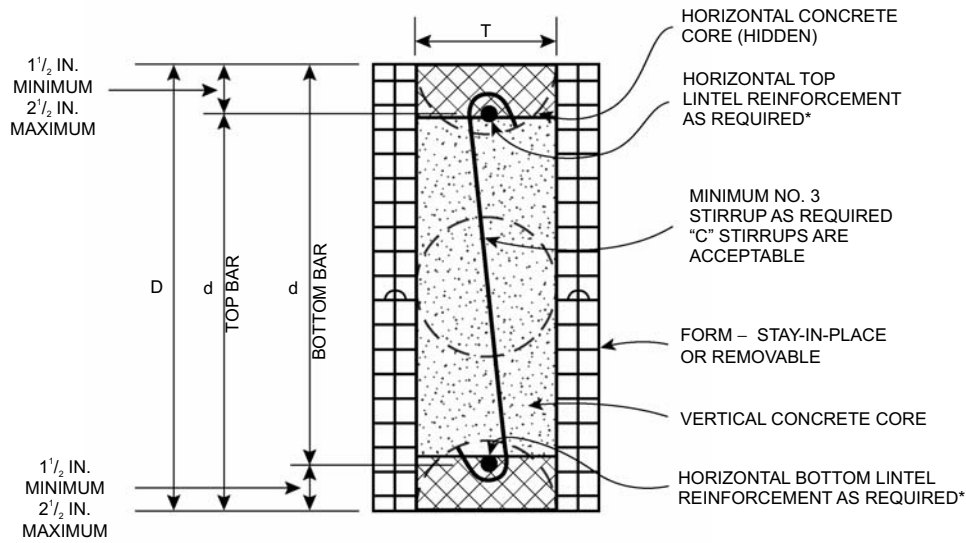
**FIGURE R611.8(3)**  
**LINTELS FOR WAFFLE-GRID WALLS**



**WALL CONSTRUCTION**



(a) SINGLE FORM HEIGHT SECTION CUT THROUGH VERTICAL CORE OF A SCREEN-GRID LINTEL



(b) DOUBLE FORM HEIGHT SECTION CUT THROUGH VERTICAL CORE OF A SCREEN-GRID LINTEL

\*FOR BUNDLED BARS, SEE SECTION R611.8.2.2.

NOTE: CROSS-HATCHING REPRESENTS THE AREA IN WHICH FORM MATERIAL SHALL BE REMOVED, IF NECESSARY, TO CREATE FLANGES CONTINUOUS THE LENGTH OF THE LINTEL. FLANGES SHALL HAVE A MINIMUM THICKNESS OF 2.5 IN. AND A MINIMUM WIDTH OF 5 IN. SEE NOTE a TO TABLES R611.8(8) AND R611.8(10).

For SI: 1 inch = 25.4 mm.

**FIGURE R611.8(4)**  
**LINTELS FOR SCREEN-GRID WALLS**

**TABLE R611.8(1)**  
**LINTEL DESIGN LOADING CONDITIONS<sup>a, b, d</sup>**

DESCRIPTION OF LOADS AND OPENINGS ABOVE INFLUENCING DESIGN OF LINTEL			DESIGN LOAD CONDITION <sup>c</sup>
<b>Opening in wall of top story of two-story building, or first story of one-story building</b>			
Wall supporting loads from roof, including attic floor, if applicable, and	Top of lintel equal to or less than W/2 below top of wall		2
	Top of lintel greater than W/2 below top of wall		NLB
Wall not supporting loads from roof or attic floor			NLB
<b>Opening in wall of first story of two-story building where wall immediately above is of concrete construction, or opening in basement wall of one-story building where wall immediately above is of concrete construction</b>			
LB ledger board mounted to side of wall with bottom of ledger less than or equal to W/2 above top of lintel, and	Top of lintel greater than W/2 below bottom of opening in story above		1
	Top of lintel less than or equal to W/2 below bottom of opening in story above, and	Opening is entirely within the footprint of the opening in the story above	1
		Opening is partially within the footprint of the opening in the story above	4
LB ledger board mounted to side of wall with bottom of ledger more than W/2 above top of lintel			NLB
NLB ledger board mounted to side of wall with bottom of ledger less than or equal to W/2 above top of lintel, or no ledger board, and	Top of lintel greater than W/2 below bottom of opening in story above		NLB
	Top of lintel less than or equal to W/2 below bottom of opening in story above, and	Opening is entirely within the footprint of the opening in the story above	NLB
		Opening is partially within the footprint of the opening in the story above	1
<b>Opening in basement wall of two-story building where walls of two stories above are of concrete construction</b>			
LB ledger board mounted to side of wall with bottom of ledger less than or equal to W/2 above top of lintel, and	Top of lintel greater than W/2 below bottom of opening in story above		1
	Top of lintel less than or equal to W/2 below bottom of opening in story above, and	Opening is entirely within the footprint of the opening in the story above	1
		Opening is partially within the footprint of the opening in the story above	5
LB ledger board mounted to side of wall with bottom of ledger more than W/2 above top of lintel			NLB
NLB ledger board mounted to side of wall with bottom of ledger less than or equal to W/2 above top of lintel, or no ledger board, and	Top of lintel greater than W/2 below bottom of opening in story above		NLB
	Top of lintel less than or equal to W/2 below bottom of opening in story above, and	Opening is entirely within the footprint of the opening in the story above	NLB
		Opening is partially within the footprint of the opening in the story above	1
<b>Opening in wall of first story of two-story building where wall immediately above is of light framed construction, or opening in basement wall of one-story building, where wall immediately above is of light framed construction</b>			
Wall supporting loads from roof, second floor and top-story wall of light-framed construction, and	Top of lintel equal to or less than W/2 below top of wall		3
	Top of lintel greater than W/2 below top of wall		NLB
Wall not supporting loads from roof or second floor			NLB

- a. LB means load bearing, NLB means nonload-bearing, and W means width of opening.
- b. Footprint is the area of the wall below an opening in the story above, bounded by the bottom of the opening and vertical lines extending downward from the edges of the opening.
- c. For design loading condition “NLB” see Tables R611.8(9) and R611.8(10). For all other design loading conditions see Tables R611.8(2) through R611.8(8).
- d. A NLB ledger board is a ledger attached to a wall that is parallel to the span of the floor, roof or ceiling framing that supports the edge of the floor, ceiling or roof.

**TABLE R611.8(2)**  
**MAXIMUM ALLOWABLE CLEAR SPANS FOR 4-INCH NOMINAL THICK FLAT LINTELS IN LOAD-BEARING WALLS<sup>a,b,c,d,e,f,m</sup>**  
**ROOF CLEAR SPAN 40 FEET AND FLOOR CLEAR SPAN 32 FEET**

LINTEL DEPTH, <i>D</i> <sup>b</sup> (inches)	NUMBER OF BARS AND BAR SIZE IN TOP AND BOTTOM OF LINTEL	STEEL YIELD STRENGTH <sup>h</sup> , <i>f<sub>y</sub></i> (psi)	DESIGN LOADING CONDITION DETERMINED FROM TABLE R611.8(1)								
			1	2		3		40		5	
				30	70	30	70	30	70	30	70
			Maximum clear span of lintel (feet - inches)								
8	Span without stirrups <sup>i,j</sup>		3-2	3-4	2-4	2-6	2-2	2-1	2-0	2-0	2-0
	1-#4	40,000	5-2	5-5	4-1	4-3	3-10	3-7	3-4	2-9	2-9
		60,000	6-2	6-5	4-11	5-1	4-6	4-2	3-8	2-11	2-10
	1-#5	40,000	6-3	6-7	5-0	5-2	4-6	4-2	3-8	2-11	2-10
		60,000	DR	DR	DR	DR	DR	DR	DR	DR	DR
Center distance <i>A</i> <sup>k,1</sup>		1-1	1-2	0-8	0-9	0-7	0-6	0-5	0-4	0-4	
12	Span without stirrups <sup>i,j</sup>		3-4	3-7	2-9	2-11	2-8	2-6	2-5	2-2	2-2
	1-#4	40,000	6-7	7-0	5-4	5-7	5-0	4-9	4-4	3-8	3-7
		60,000	7-11	8-6	6-6	6-9	6-0	5-9	5-3	4-5	4-4
	1-#5	40,000	8-1	8-8	6-7	6-10	6-2	5-10	5-4	4-6	4-5
		60,000	9-8	10-4	7-11	8-2	7-4	6-11	6-2	4-10	4-8
	2-#4 1-#6	40,000	9-1	9-8	7-4	7-8	6-10	6-6	6-0	4-10	4-8
		60,000	DR	DR	DR	DR	DR	DR	DR	DR	DR
Center distance <i>A</i> <sup>k,1</sup>		1-8	1-11	1-1	1-3	1-0	0-11	0-9	0-6	0-6	
16	Span without stirrups <sup>i,j</sup>		4-7	5-0	3-11	4-0	3-8	3-7	3-4	3-1	3-0
	1-#4	40,000	6-8	7-3	5-6	5-9	5-2	4-11	4-6	3-10	3-8
		60,000	9-3	10-1	7-9	8-0	7-2	6-10	6-3	5-4	5-2
	1-#4	40,000	9-6	10-4	7-10	8-2	7-4	6-11	6-5	5-5	5-3
		60,000	11-5	12-5	9-6	9-10	8-10	8-4	7-9	6-6	6-4
	2-#4 1-#6	40,000	10-7	11-7	8-10	9-2	8-3	7-9	7-2	6-1	5-11
		60,000	12-9	13-10	10-7	11-0	9-10	9-4	8-7	6-9	6-6
	2-#5	40,000	13-0	14-1	10-9	11-2	9-11	9-2	8-2	6-6	6-3
60,000		DR	DR	DR	DR	DR	DR	DR	DR	DR	
Center distance <i>A</i> <sup>k,1</sup>		2-3	2-8	1-7	1-8	1-4	1-3	1-0	0-9	0-8	
20	Span without stirrups <sup>i,j</sup>		5-9	6-5	5-0	5-2	4-9	4-7	4-4	3-11	3-11
	1-#4	40,000	7-5	8-2	6-3	6-6	5-10	5-7	5-1	4-4	4-2
		60,000	9-0	10-0	7-8	7-11	7-1	6-9	6-3	5-3	5-1
	1-#5	40,000	9-2	10-2	7-9	8-1	7-3	6-11	6-4	5-4	5-2
		60,000	12-9	14-2	10-10	11-3	10-1	9-7	8-10	7-5	7-3
	2-#4 1-#6	40,000	11-10	13-2	10-1	10-5	9-4	8-11	8-2	6-11	6-9
		60,000	14-4	15-10	12-1	12-7	11-3	10-9	9-11	8-4	8-1
	2-#5	40,000	14-7	16-2	12-4	12-9	11-4	10-6	9-5	7-7	7-3
		60,000	17-5	19-2	14-9	15-3	13-5	12-4	11-0	8-8	8-4
	2-#6	40,000	16-4	18-11	12-7	13-3	11-4	10-6	9-5	7-7	7-3
60,000		DR	DR	DR	DR	DR	DR	DR	DR	DR	
Center distance <i>A</i> <sup>k,1</sup>		2-9	3-5	2-0	2-2	1-9	1-7	1-4	0-11	0-11	

(continued)

**TABLE R611.8(2)—continued**  
**MAXIMUM ALLOWABLE CLEAR SPANS FOR 4-INCH NOMINAL THICK FLAT LINTELS IN LOAD-BEARING WALLS<sup>a, b, c, d, e, f, m</sup>**  
**ROOF CLEAR SPAN 40 FEET AND FLOOR CLEAR SPAN 32 FEET**

LINTEL DEPTH, <i>D</i> <sup>g</sup> (inches)	NUMBER OF BARS AND BAR SIZE IN TOP AND BOTTOM OF LINTEL	DESIGN LOADING CONDITION DETERMINED FROM TABLE R611.8(1)									
		1	2		3		4		5		
		Maximum ground snow load (psf)									
			30	70	30	70	30	70	30	70	
Maximum clear span of lintel (feet - inches)											
24	Span without stirrups <sup>i, j</sup>	6-11	7-9	6-1	6-3	5-9	5-7	5-3	4-9	4-8	
	1-#4	40,000	8-0	9-0	6-11	7-2	6-5	6-2	5-8	4-9	4-8
		60,000	9-9	11-0	8-5	8-9	7-10	7-6	6-11	5-10	5-8
	1-#5	40,000	10-0	11-3	8-7	8-11	8-0	7-7	7-0	5-11	5-9
		60,000	13-11	15-8	12-0	12-5	11-2	10-7	9-10	8-3	8-0
	2-#4 1-#6	40,000	12-11	14-6	11-2	11-6	10-5	9-10	9-1	7-8	7-5
		60,000	15-7	17-7	13-6	13-11	12-7	11-11	11-0	9-3	9-0
	2-#5	40,000	15-11	17-11	13-7	14-3	12-8	11-9	10-8	8-7	8-4
		60,000	19-1	21-6	16-5	17-1	15-1	14-0	12-6	9-11	9-7
	2-#6	40,000	17-7	21-1	14-1	14-10	12-8	11-9	10-8	8-7	8-4
		60,000	DR	DR	DR	DR	DR	DR	DR	DR	DR
	Center distance <i>A</i> <sup>k, l</sup>		3-3	4-1	2-5	2-7	2-1	1-11	1-7	1-2	1-1

For SI: 1 inch = 25.4 mm; 1 foot = 304.8 mm; 1 pound per square foot = 0.0479 kPa; Grade 40 = 280 MPa; Grade 60 = 420 MPa.

- a. See Table R611.3 for tolerances permitted from nominal thickness.
- b. Table values are based on concrete with a minimum specified compressive strength of 2,500 psi. See note j.
- c. Table values are based on uniform loading. See Section R611.8.2 for lintels supporting concentrated loads.
- d. Deflection criterion is  $L/240$ , where  $L$  is the clear span of the lintel in inches, or  $1/2$ -inch, whichever is less.
- e. Linear interpolation is permitted between ground snow loads and between lintel depths.
- f. DR indicates design required.
- g. Lintel depth,  $D$ , is permitted to include the available height of wall located directly above the lintel, provided that the increased lintel depth spans the entire length of the lintel.
- h. Stirrups shall be fabricated from reinforcing bars with the same yield strength as that used for the main longitudinal reinforcement.
- i. Allowable clear span without stirrups applicable to all lintels of the same depth,  $D$ . Top and bottom reinforcement for lintels without stirrups shall not be less than the least amount of reinforcement required for a lintel of the same depth and loading condition with stirrups. All other spans require stirrups spaced at not more than  $d/2$ .
- j. Where concrete with a minimum specified compressive strength of 3,000 psi (20.7 MPa) is used, clear spans for lintels without stirrups shall be permitted to be multiplied by 1.05. If the increased span exceeds the allowable clear span for a lintel of the same depth and loading condition with stirrups, the top and bottom reinforcement shall be equal to or greater than that required for a lintel of the same depth and loading condition that has an allowable clear span that is equal to or greater than that of the lintel without stirrups that has been increased.
- k. Center distance,  $A$ , is the center portion of the clear span where stirrups are not required. This is applicable to all longitudinal bar sizes and steel yield strengths.
- l. Where concrete with a minimum specified compressive strength of 3,000 psi is used, center distance,  $A$ , shall be permitted to be multiplied by 1.10.
- m. The maximum clear opening width between two solid wall segments shall be 18 feet (5486 mm). See Section R611.7.2.1. Lintel clear spans in the table greater than 18 feet are shown for interpolation and information only.

**TABLE R611.8(3)**  
**MAXIMUM ALLOWABLE CLEAR SPANS FOR 6-INCH NOMINAL THICK FLAT LINTELS IN LOAD-BEARING WALLS<sup>a, b, c, d, e, f, m</sup>**  
**ROOF CLEAR SPAN 40 FEET AND FLOOR CLEAR SPAN 32 FEET**

LINTEL DEPTH, <i>D</i> <sup>l</sup> (inches)	NUMBER OF BARS AND BAR SIZE IN TOP AND BOTTOM OF LINTEL	STEEL YIELD STRENGTH <sup>h</sup> , <i>f<sub>y</sub></i> (psi)	DESIGN LOADING CONDITION DETERMINED FROM TABLE R611.8(1)								
			1	2		3		4		5	
			Maximum ground snow load (psf)								
				30	70	30	70	30	70	30	70
Maximum clear span of lintel (feet - inches)											
8	Span without stirrups <sup>i, j</sup>		4-2	4-8	3-1	3-3	2-10	2-6	2-3	2-0	2-0
	1-#4	40,000	5-1	5-5	4-2	4-3	3-10	3-6	3-3	2-8	2-7
		60,000	6-2	6-7	5-0	5-2	4-8	4-2	3-11	3-3	3-2
	1-#5	40,000	6-3	6-8	5-1	5-3	4-9	4-3	4-0	3-3	3-2
		60,000	7-6	8-0	6-1	6-4	5-8	5-1	4-9	3-8	3-6
	2-#4 1-#6	40,000	7-0	7-6	5-8	5-11	5-3	4-9	4-5	3-8	3-6
		60,000	DR	DR	DR	DR	DR	DR	DR	DR	DR
Center distance <i>A</i> <sup>k, 1</sup>		1-7	1-10	1-1	1-2	0-11	0-9	0-8	0-5	0-5	
12	Span without stirrups <sup>i, j</sup>		4-2	4-8	3-5	3-6	3-2	2-11	2-9	2-5	2-4
	1-#4	40,000	5-7	6-1	4-8	4-10	4-4	3-11	3-8	3-0	2-11
		60,000	7-9	8-6	6-6	6-9	6-1	5-6	5-1	4-3	4-1
	1-#5	40,000	7-11	8-8	6-8	6-11	6-2	5-7	5-2	4-4	4-2
		60,000	9-7	10-6	8-0	8-4	7-6	6-9	6-3	5-2	5-1
	2-#4 1-#6	40,000	8-11	9-9	7-6	7-9	6-11	6-3	5-10	4-10	4-8
		60,000	10-8	11-9	8-12	9-4	8-4	7-6	7-0	5-10	5-8
	2-#5	40,000	10-11	12-0	9-2	9-6	8-6	7-8	7-2	5-6	5-3
		60,000	12-11	14-3	10-10	11-3	10-1	9-0	8-1	6-1	5-10
	2-#6	40,000	12-9	14-0	10-8	11-1	9-7	8-1	7-3	5-6	5-3
		60,000	DR	DR	DR	DR	DR	DR	DR	DR	DR
Center distance <i>A</i> <sup>k, 1</sup>		2-6	3-0	1-9	1-10	1-6	1-3	1-1	0-9	0-8	
16	Span without stirrups <sup>i, j</sup>		5-7	6-5	4-9	4-11	4-5	4-0	3-10	3-4	3-4
	1-#4	40,000	6-5	7-2	5-6	5-9	5-2	4-8	4-4	3-7	3-6
		60,000	7-10	8-9	6-9	7-0	6-3	5-8	5-3	4-4	4-3
	1-#5	40,000	7-11	8-11	6-10	7-1	6-5	5-9	5-4	4-5	4-4
		60,000	11-1	12-6	9-7	9-11	8-11	8-0	7-6	6-2	6-0
	2-#4 1-#6	40,000	10-3	11-7	8-10	9-2	8-3	7-6	6-11	5-9	5-7
		60,000	12-5	14-0	10-9	11-1	10-0	9-0	8-5	7-0	6-9
	2-#5	40,000	12-8	14-3	10-11	11-4	10-2	9-2	8-7	6-9	6-6
		60,000	15-2	17-1	13-1	13-7	12-3	11-0	10-3	7-11	7-7
	2-#6	40,000	14-11	16-9	12-8	13-4	11-4	9-8	8-8	6-9	6-6
		60,000	DR	DR	DR	DR	DR	DR	DR	DR	DR
Center distance <i>A</i> <sup>k, 1</sup>		3-3	4-1	2-5	2-7	2-1	1-9	1-6	1-0	1-0	

(continued)

**TABLE R611.8(3)—continued**  
**MAXIMUM ALLOWABLE CLEAR SPANS FOR 6-INCH NOMINAL THICK FLAT LINTELS IN LOAD-BEARING WALLS<sup>a, b, c, d, e, f, m</sup>**  
**ROOF CLEAR SPAN 40 FEET AND FLOOR CLEAR SPAN 32 FEET**

LINTEL DEPTH, <i>D<sup>B</sup></i> (inches)	NUMBER OF BARS AND BAR SIZE IN TOP AND BOTTOM OF LINTEL	STEEL YIELD STRENGTH <sup>h</sup> , <i>f<sub>y</sub></i> (psi)	DESIGN LOADING CONDITION DETERMINED FROM TABLE R611.8(1)								
			1	2		3		4		5	
			Maximum ground snow load (psf)								
				30	70	30	70	30	70	30	70
Maximum clear span of lintel (feet - inches)											
20	Span without stirrups <sup>i, j</sup>		6-11	8-2	6-1	6-3	5-8	5-2	4-11	4-4	4-3
	1-#5	40,000	8-9	10-1	7-9	8-0	7-3	6-6	6-1	5-1	4-11
		60,000	10-8	12-3	9-5	9-9	8-10	8-0	7-5	6-2	6-0
	2-#4 1-#6	40,000	9-11	11-4	8-9	9-1	8-2	7-4	6-10	5-8	5-7
		60,000	13-9	15-10	12-2	12-8	11-5	10-3	9-7	7-11	7-9
	2-#5	40,000	14-0	16-2	12-5	12-11	11-7	10-6	9-9	7-11	7-8
		60,000	16-11	19-6	15-0	15-6	14-0	12-7	11-9	9-1	8-9
	2-#6	40,000	16-7	19-1	14-7	15-3	13-1	11-3	10-2	7-11	7-8
		60,000	19-11	22-10	17-4	18-3	15-6	13-2	11-10	9-1	8-9
	Center distance <i>A<sup>k, l</sup></i>		3-11	5-2	3-1	3-3	2-8	2-2	1-11	1-4	1-3
24	Span without stirrups <sup>i, j</sup>		8-2	9-10	7-4	7-8	6-11	6-4	5-11	5-3	5-2
	1-#5	40,000	9-5	11-1	8-7	8-10	8-0	7-3	6-9	5-7	5-5
		60,000	11-6	13-6	10-5	10-9	9-9	8-9	8-2	6-10	6-8
	2-#4 1-#6	40,000	10-8	12-6	9-8	10-0	9-0	8-2	7-7	6-4	6-2
		60,000	12-11	15-2	11-9	12-2	11-0	9-11	9-3	7-8	7-6
	2-#5	40,000	15-2	17-9	13-9	14-3	12-10	11-7	10-10	9-0	8-9
		60,000	18-4	21-6	16-7	17-3	15-6	14-0	13-1	10-4	10-0
	2-#6	40,000	18-0	21-1	16-4	16-11	14-10	12-9	11-8	9-2	8-11
		60,000	21-7	25-4	19-2	20-4	17-2	14-9	13-4	10-4	10-0
	Center distance <i>A<sup>k, l</sup></i>		4-6	6-2	3-8	4-0	3-3	2-8	2-3	1-7	1-6

For SI: 1 inch = 25.4 mm; 1 foot = 304.8 mm; 1 psf = 0.0479 kPa; Grade 40 = 280 MPa; Grade 60 = 420 MPa.

- a. See Table R611.3 for tolerances permitted from nominal thickness.
- b. Table values are based on concrete with a minimum specified compressive strength of 2,500 psi. See Note j.
- c. Table values are based on uniform loading. See Section R611.8.2 for lintels supporting concentrated loads.
- d. Deflection criterion is  $L/240$ , where  $L$  is the clear span of the lintel in inches, or  $1/2$ -inch, whichever is less.
- e. Linear interpolation is permitted between ground snow loads and between lintel depths.
- f. DR indicates design required.
- g. Lintel depth,  $D$ , is permitted to include the available height of wall located directly above the lintel, provided that the increased lintel depth spans the entire length of the lintel.
- h. Stirrups shall be fabricated from reinforcing bars with the same yield strength as that used for the main longitudinal reinforcement.
- i. Allowable clear span without stirrups applicable to all lintels of the same depth,  $D$ . Top and bottom reinforcement for lintels without stirrups shall not be less than the least amount of reinforcement required for a lintel of the same depth and loading condition with stirrups. All other spans require stirrups spaced at not more than  $d/2$ .
- j. Where concrete with a minimum specified compressive strength of 3,000 psi is used, clear spans for lintels without stirrups shall be permitted to be multiplied by 1.05. If the increased span exceeds the allowable clear span for a lintel of the same depth and loading condition with stirrups, the top and bottom reinforcement shall be equal to or greater than that required for a lintel of the same depth and loading condition that has an allowable clear span that is equal to or greater than that of the lintel without stirrups that has been increased.
- k. Center distance,  $A$ , is the center portion of the clear span where stirrups are not required. This is applicable to all longitudinal bar sizes and steel yield strengths.
- l. Where concrete with a minimum specified compressive strength of 3,000 psi is used, center distance,  $A$ , shall be permitted to be multiplied by 1.10.
- m. The maximum clear opening width between two solid wall segments shall be 18 feet (5486 mm). See Section R611.7.2.1. Lintel clear spans in the table greater than 18 feet are shown for interpolation and information only.

**TABLE R611.8(4)**  
**MAXIMUM ALLOWABLE CLEAR SPANS FOR 8-INCH NOMINAL THICK FLAT LINTELS IN LOAD-BEARING WALLS<sup>a, b, c, d, e, f, m</sup>**  
**ROOF CLEAR SPAN 40 FEET AND FLOOR CLEAR SPAN 32 FEET**

LINTEL DEPTH, <i>D</i> <sup>l</sup> (inches)	NUMBER OF BARS AND BAR SIZE IN TOP AND BOTTOM OF LINTEL	STEEL YIELD STRENGTH <sup>h</sup> , <i>f<sub>y</sub></i> (psi)	DESIGN LOADING CONDITION DETERMINED FROM TABLE R611.8(1)								
			1	2		3		4		5	
			Maximum ground snow load (psf)								
				30	70	30	70	30	70	30	70
Maximum clear span of lintel (feet - inches)											
8	Span without stirrups <sup>i, j</sup>		4-4	4-9	3-7	3-9	3-4	2-10	2-7	2-1	2-0
	1-#4	40,000	4-4	4-9	3-7	3-9	3-4	2-11	2-9	2-3	2-2
		60,000	6-1	6-7	5-0	5-3	4-8	4-0	3-9	3-1	3-0
	1-#5	40,000	6-2	6-9	5-2	5-4	4-9	4-1	3-10	3-2	3-1
		60,000	7-5	8-1	6-2	6-5	5-9	4-11	4-7	3-9	3-8
	2-#4 1-#6	40,000	6-11	7-6	5-9	6-0	5-4	4-7	4-4	3-6	3-5
		60,000	8-3	9-0	6-11	7-2	6-5	5-6	5-2	4-2	4-1
	2-#5	40,000	8-5	9-2	7-0	7-3	6-6	5-7	5-3	4-2	4-0
		60,000	DR	DR	DR	DR	DR	DR	DR	DR	DR
	Center distance <i>A</i> <sup>k, 1</sup>		2-1	2-6	1-5	1-6	1-3	0-11	0-10	0-6	0-6
12	Span without stirrups <sup>i, j</sup>		4-10	5-8	4-0	4-2	3-9	3-2	3-0	2-7	2-6
	1-#4	40,000	5-5	6-1	4-8	4-10	4-4	3-9	3-6	2-10	2-10
		60,000	6-7	7-5	5-8	5-11	5-4	4-7	4-3	3-6	3-5
	1-#5	40,000	6-9	7-7	5-9	6-0	5-5	4-8	4-4	3-7	3-6
		60,000	9-4	10-6	8-1	8-4	7-6	6-6	6-1	5-0	4-10
	2-#4 1-#6	40,000	8-8	9-9	7-6	7-9	7-0	6-0	5-8	4-7	4-6
		60,000	10-6	11-9	9-1	9-5	8-5	7-3	6-10	5-7	5-5
	2-#5	40,000	10-8	12-0	9-3	9-7	8-7	7-5	6-11	5-6	5-4
		60,000	12-10	14-5	11-1	11-6	10-4	8-11	8-4	6-7	6-4
	2-#6	40,000	12-7	14-2	10-10	11-3	10-2	8-3	7-6	5-6	5-4
60,000		DR	DR	DR	DR	DR	DR	DR	DR	DR	
Center distance <i>A</i> <sup>k, 1</sup>		3-2	4-0	2-4	2-6	2-0	1-6	1-4	0-11	0-10	
16	Span without stirrups <sup>i, j</sup>		6-5	7-9	5-7	5-10	5-2	4-5	4-2	3-7	3-6
	1-#4	40,000	6-2	7-1	5-6	5-8	5-1	4-5	4-2	3-5	3-4
		60,000	7-6	8-8	6-8	6-11	6-3	5-5	5-1	4-2	4-0
	1-#5	40,000	7-8	8-10	6-10	7-1	6-4	5-6	5-2	4-3	4-1
		60,000	9-4	10-9	8-4	8-7	7-9	6-8	6-3	5-2	5-0
	2-#4 1-#6	40,000	8-8	10-0	7-8	8-0	7-2	6-2	5-10	4-9	4-8
		60,000	12-0	13-11	10-9	11-2	10-0	8-8	8-1	6-8	6-6
	2-#5	40,000	12-3	14-2	11-0	11-4	10-3	8-10	8-3	6-9	6-7
		60,000	14-10	17-2	13-3	13-8	12-4	10-8	10-0	7-11	7-8
	2-#6	40,000	14-6	16-10	13-0	13-5	12-1	10-1	9-2	6-11	6-8
60,000		17-5	20-2	15-7	16-1	14-6	11-10	10-8	7-11	7-8	
Center distance <i>A</i> <sup>k, 1</sup>		4-1	5-5	3-3	3-6	2-10	2-1	1-10	1-3	1-2	

(continued)

**TABLE R611.8(4)—continued**  
**MAXIMUM ALLOWABLE CLEAR SPANS FOR 8-INCH NOMINAL THICK FLAT LINTELS IN LOAD-BEARING WALLS<sup>a, b, c, d, e, f, m</sup>**  
**ROOF CLEAR SPAN 40 FEET AND FLOOR CLEAR SPAN 32 FEET**

LINTEL DEPTH, <i>D<sup>f</sup></i> (inches)	NUMBER OF BARS AND BAR SIZE IN TOP AND BOTTOM OF LINTEL	STEEL YIELD STRENGTH <sup>h</sup> , <i>f<sub>y</sub></i> (psi)	DESIGN LOADING CONDITION DETERMINED FROM TABLE R611.8(1)								
			1	2		3		4		5	
			Maximum ground snow load (psf)								
				30	70	30	70	30	70	30	70
Maximum clear span of lintel (feet - inches)											
20	Span without stirrups <sup>i, j</sup>		7-10	9-10	7-1	7-5	6-7	5-8	5-4	4-7	4-6
	1-#5	40,000	8-4	9-11	7-8	8-0	7-2	6-3	5-10	4-9	4-8
		60,000	10-2	12-1	9-5	9-9	8-9	7-7	7-1	5-10	5-8
	2-#4 1-#6	40,000	9-5	11-3	8-8	9-0	8-1	7-0	6-7	5-5	5-3
		60,000	11-6	13-8	10-7	11-0	9-11	8-7	8-0	6-7	6-5
	2-#5	40,000	11-9	13-11	10-10	11-2	10-1	8-9	8-2	6-8	6-7
		60,000	16-4	19-5	15-0	15-7	14-0	12-2	11-4	9-3	9-0
	2-#6	40,000	16-0	19-0	14-9	15-3	13-9	11-10	10-10	8-3	8-0
		60,000	19-3	22-11	17-9	18-5	16-7	13-7	12-4	9-3	9-0
	Center distance <i>A</i> <sup>k, l</sup>		4-10	6-10	4-1	4-5	3-7	2-8	2-4	1-7	1-6
24	Span without stirrups <sup>i, j</sup>		9-2	11-9	8-7	8-11	8-0	6-11	6-6	5-7	5-6
	1-#5	40,000	8-11	10-10	8-6	8-9	7-11	6-10	6-5	5-3	5-2
		60,000	10-11	13-3	10-4	10-8	9-8	8-4	7-10	6-5	6-3
	2-#4 1-#6	40,000	10-1	12-3	9-7	9-11	8-11	7-9	7-3	6-0	5-10
		60,000	12-3	15-0	11-8	12-1	10-11	9-5	8-10	7-3	7-1
	2-#5	40,000	12-6	15-3	11-11	12-4	11-1	9-7	9-0	7-5	7-3
		60,000	17-6	21-3	16-7	17-2	15-6	13-5	12-7	10-4	10-1
	2-#6	40,000	17-2	20-11	16-3	16-10	15-3	13-2	12-4	9-7	9-4
		60,000	20-9	25-3	19-8	20-4	18-5	15-4	14-0	10-7	10-3
	Center distance <i>A</i> <sup>k, l</sup>		5-6	8-1	4-11	5-3	4-4	3-3	2-10	1-11	1-10

For SI: 1 inch = 25.4 mm; 1 foot = 304.8 mm; 1 psf = 0.0479 kPa; Grade 40 = 280 MPa; Grade 60 = 420 MPa.

**Note:** Top and bottom reinforcement for lintels without stirrups shown in shaded cells shall be equal to or greater than that required for lintel of the same depth and loading condition that has an allowable clear span that is equal to or greater than that of the lintel without stirrups.

- a. See Table R611.3 for tolerances permitted from nominal thickness.
- b. Table values are based on concrete with a minimum specified compressive strength of 2,500 psi. See Note j.
- c. Table values are based on uniform loading. See Section R611.8.2 for lintels supporting concentrated loads.
- d. Deflection criterion is  $L/240$ , where  $L$  is the clear span of the lintel in inches, or  $1/2$ -inch, whichever is less.
- e. Linear interpolation is permitted between ground snow loads and between lintel depths.
- f. DR indicates design required.
- g. Lintel depth,  $D$ , is permitted to include the available height of wall located directly above the lintel, provided that the increased lintel depth spans the entire length of the lintel.
- h. Stirrups shall be fabricated from reinforcing bars with the same yield strength as that used for the main longitudinal reinforcement.
- i. Allowable clear span without stirrups applicable to all lintels of the same depth,  $D$ . Top and bottom reinforcement for lintels without stirrups shall not be less than the least amount of reinforcement required for a lintel of the same depth and loading condition with stirrups. All other spans require stirrups spaced at not more than  $d/2$ .
- j. Where concrete with a minimum specified compressive strength of 3,000 psi is used, clear spans for lintels without stirrups shall be permitted to be multiplied by 1.05. If the increased span exceeds the allowable clear span for a lintel of the same depth and loading condition with stirrups, the top and bottom reinforcement shall be equal to or greater than that required for a lintel of the same depth and loading condition that has an allowable clear span that is equal to or greater than that of the lintel without stirrups that has been increased.
- k. Center distance,  $A$ , is the center portion of the clear span where stirrups are not required. This is applicable to all longitudinal bar sizes and steel yield strengths.
- l. Where concrete with a minimum specified compressive strength of 3,000 psi is used, center distance,  $A$ , shall be permitted to be multiplied by 1.10.
- m. The maximum clear opening width between two solid wall segments shall be 18 feet. See Section R611.7.2.1. Lintel clear spans in the table greater than 18 feet are shown for interpolation and information only.



**TABLE R611.8(5)**  
**MAXIMUM ALLOWABLE CLEAR SPANS FOR 10-INCH NOMINAL THICK FLAT LINTELS IN LOAD-BEARING WALLS<sup>a, b, c, d, e, f, m</sup>**  
**ROOF CLEAR SPAN 40 FEET AND FLOOR CLEAR SPAN 32 FEET**

LINTEL DEPTH, <i>D</i> <sup>d</sup> (inches)	NUMBER OF BARS AND BAR SIZE IN TOP AND BOTTOM OF LINTEL	STEEL YIELD STRENGTH <sup>b</sup> , <i>f<sub>y</sub></i> (psi)	DESIGN LOADING CONDITION DETERMINED FROM TABLE R611.8(1)								
			1	2		3		4		5	
			Maximum ground snow load (psf)								
				30	70	30	70	30	70	30	70
Maximum clear span of lintel (feet - inches)											
8	Span without stirrups <sup>i, j</sup>		6-0	7-2	4-7	4-10	4-1	3-1	2-11	2-3	2-2
	1-#4	40,000	4-3	4-9	3-7	3-9	3-4	2-9	2-7	2-1	2-1
		60,000	5-11	6-7	5-0	5-3	4-8	3-10	3-8	2-11	2-11
	1-#5	40,000	6-1	6-9	5-2	5-4	4-9	3-11	3-9	3-0	2-11
		60,000	7-4	8-1	6-3	6-5	5-9	4-9	4-6	3-7	3-7
	2-#4 1-#6	40,000	6-10	7-6	5-9	6-0	5-5	4-5	4-2	3-4	3-4
		60,000	8-2	9-1	6-11	7-2	6-6	5-4	5-0	4-1	4-0
	2-#5	40,000	8-4	9-3	7-1	7-4	6-7	5-5	5-1	4-1	4-0
		60,000	9-11	11-0	8-5	8-9	7-10	6-6	6-1	4-8	4-6
	2-#6	40,000	9-9	10-10	8-3	8-7	7-9	6-4	5-10	4-1	4-0
60,000		DR	DR	DR	DR	DR	DR	DR	DR	DR	
Center distance <i>A</i> <sup>k, l</sup>			2-6	3-1	1-10	1-11	1-7	1-1	0-11	0-7	0-7
12	Span without stirrups <sup>i, j</sup>		5-5	6-7	4-7	4-10	4-3	3-5	3-3	2-8	2-8
	1-#4	40,000	5-3	6-0	4-8	4-10	4-4	3-7	3-4	2-9	2-8
		60,000	6-5	7-4	5-8	5-10	5-3	4-4	4-1	3-4	3-3
	1-#5	40,000	6-6	7-6	5-9	6-0	5-5	4-5	4-2	3-5	3-4
		60,000	7-11	9-1	7-0	7-3	6-7	5-5	5-1	4-2	4-0
	2-#4 1-#6	40,000	7-4	8-5	6-6	6-9	6-1	5-0	4-9	3-10	3-9
		60,000	10-3	11-9	9-1	9-5	8-6	7-0	6-7	5-4	5-3
	2-#5	40,000	10-5	12-0	9-3	9-7	8-8	7-2	6-9	5-5	5-4
		60,000	12-7	14-5	11-2	11-6	10-5	8-7	8-1	6-6	6-4
	2-#6	40,000	12-4	14-2	10-11	11-4	10-2	8-5	7-8	5-7	5-5
60,000		14-9	17-0	13-1	13-6	12-2	10-0	9-1	6-6	6-4	
Center distance <i>A</i> <sup>k, l</sup>			3-9	4-11	2-11	3-2	2-7	1-9	1-7	1-0	1-0
16	Span without stirrups <sup>i, j</sup>		7-1	9-0	6-4	6-8	5-10	4-9	4-6	3-9	3-8
	1-#4	40,000	5-11	7-0	5-5	5-8	5-1	4-3	4-0	3-3	3-2
		60,000	7-3	8-7	6-8	6-11	6-3	5-2	4-10	3-11	3-10
	1-#5	40,000	7-4	8-9	6-9	7-0	6-4	5-3	4-11	4-0	3-11
		60,000	9-0	10-8	8-3	8-7	7-9	6-5	6-0	4-11	4-9
	2-#4 1-#6	40,000	8-4	9-11	7-8	7-11	7-2	5-11	5-7	4-6	4-5
		60,000	10-2	12-0	9-4	9-8	8-9	7-3	6-10	5-6	5-5
	2-#5	40,000	10-4	12-3	9-6	9-10	8-11	7-4	6-11	5-8	5-6
		60,000	14-4	17-1	13-3	13-8	12-4	10-3	9-8	7-10	7-8
	2-#6	40,000	14-1	16-9	13-0	13-5	12-2	10-1	9-6	7-0	6-10
60,000		17-0	20-2	15-8	16-2	14-7	12-0	10-11	8-0	7-9	
Center distance <i>A</i> <sup>k, l</sup>			4-9	6-8	4-0	4-4	3-6	2-5	2-2	1-5	1-4

(continued)

**TABLE R611.8(5)—continued**  
**MAXIMUM ALLOWABLE CLEAR SPANS FOR 10-INCH NOMINAL THICK FLAT LINTELS IN LOAD-BEARING WALLS<sup>a, b, c, d, e, f, m</sup>**  
**ROOF CLEAR SPAN 40 FEET AND FLOOR CLEAR SPAN 32 FEET**

LINTEL DEPTH, <i>D</i> <sup>b</sup> (inches)	NUMBER OF BARS AND BAR SIZE IN TOP AND BOTTOM OF LINTEL	STEEL YIELD STRENGTH <sup>h</sup> , <i>f<sub>y</sub></i> (psi)	DESIGN LOADING CONDITION DETERMINED FROM TABLE R611.8(1)								
			1	2		3		4		5	
			Maximum ground snow load (psf)								
			30	70	30	70	30	70	30	70	
Maximum clear span of lintel (feet - inches)											
20	Span without stirrups <sup>i, j</sup>		8-7	11-4	8-1	8-5	7-5	6-1	5-9	4-10	4-9
	1-#4	40,000	6-5	7-10	6-2	6-4	5-9	4-9	4-6	3-8	3-7
		60,000	7-10	9-7	7-6	7-9	7-0	5-10	5-6	4-5	4-4
	1-#5	40,000	8-0	9-9	7-8	7-11	7-2	5-11	5-7	4-6	4-5
		60,000	9-9	11-11	9-4	9-8	8-9	7-3	6-10	5-6	5-5
	2-#4 1-#6	40,000	9-0	11-1	8-8	8-11	8-1	6-9	6-4	5-2	5-0
		60,000	11-0	13-6	10-6	10-11	9-10	8-2	7-9	6-3	6-2
	2-#5	40,000	11-3	13-9	10-9	11-1	10-0	8-4	7-10	6-5	6-3
		60,000	15-8	19-2	15-0	15-6	14-0	11-8	11-0	8-11	8-9
	2-#6	40,000	15-5	18-10	14-8	15-2	13-9	11-5	10-9	8-6	8-3
60,000		18-7	22-9	17-9	18-5	16-7	13-10	12-9	9-5	9-2	
	Center distance <i>A</i> <sup>k, l</sup>		5-7	8-4	5-1	5-5	4-5	3-1	2-9	1-10	1-9
24	Span without stirrups <sup>i, j</sup>		9-11	13-7	9-9	10-2	9-0	7-5	7-0	5-10	5-9
	1-#5	40,000	8-6	10-8	8-5	8-8	7-10	6-6	6-2	5-0	4-11
		60,000	10-5	13-0	10-3	10-7	9-7	8-0	7-6	6-1	6-0
	2-#4 1-#6	40,000	9-7	12-1	9-6	9-9	8-10	7-5	7-0	5-8	5-6
		60,000	11-9	14-9	11-7	11-11	10-10	9-0	8-6	6-11	6-9
	2-#5	40,000	12-0	15-0	11-9	12-2	11-0	9-2	8-8	7-1	6-11
		60,000	14-7	18-3	14-4	14-10	13-5	11-2	10-7	8-7	8-5
	2-#6	40,000	14-3	17-11	14-1	14-7	13-2	11-0	10-4	8-5	8-3
		60,000	19-11	25-0	19-7	20-3	18-4	15-3	14-5	10-10	10-7
		Center distance <i>A</i> <sup>k, l</sup>		6-3	9-11	6-1	6-6	5-4	3-9	3-4	2-2

For SI: 1 inch = 25.4 mm; 1 foot = 304.8 mm; 1 pound per square foot = 0.0479kPa; Grade 40 = 280 MPa; Grade 60 = 420 MPa.

**Note:** Top and bottom reinforcement for lintels without stirrups shown in shaded cells shall be equal to or greater than that required for lintel of the same depth and loading condition that has an allowable clear span that is equal to or greater than that of the lintel without stirrups.

- a. See Table R611.3 for tolerances permitted from nominal thickness.
- b. Table values are based on concrete with a minimum specified compressive strength of 2,500 psi. See Note j.
- c. Table values are based on uniform loading. See Section R611.8.2 for lintels supporting concentrated loads.
- d. Deflection criterion is  $L/240$ , where  $L$  is the clear span of the lintel in inches, or  $1/2$ -inch, whichever is less.
- e. Linear interpolation is permitted between ground snow loads and between lintel depths.
- f. DR indicates design required.
- g. Lintel depth,  $D$ , is permitted to include the available height of wall located directly above the lintel, provided that the increased lintel depth spans the entire length of the lintel.
- h. Stirrups shall be fabricated from reinforcing bars with the same yield strength as that used for the main longitudinal reinforcement.
- i. Allowable clear span without stirrups applicable to all lintels of the same depth,  $D$ . Top and bottom reinforcement for lintels without stirrups shall not be less than the least amount of reinforcement required for a lintel of the same depth and loading condition with stirrups. All other spans require stirrups spaced at not more than  $d/2$ .
- j. Where concrete with a minimum specified compressive strength of 3,000 psi is used, clear spans for lintels without stirrups shall be permitted to be multiplied by 1.05. If the increased span exceeds the allowable clear span for a lintel of the same depth and loading condition with stirrups, the top and bottom reinforcement shall be equal to or greater than that required for a lintel of the same depth and loading condition that has an allowable clear span that is equal to or greater than that of the lintel without stirrups that has been increased.
- k. Center distance,  $A$ , is the center portion of the clear span where stirrups are not required. This is applicable to all longitudinal bar sizes and steel yield strengths.
- l. Where concrete with a minimum specified compressive strength of 3,000 psi is used, center distance,  $A$ , shall be permitted to be multiplied by 1.10.
- m. The maximum clear opening width between two solid wall segments shall be 18 feet (5486 mm). See Section R611.7.2.1. Lintel clear spans in the table greater than 18 feet are shown for interpolation and information only.

**TABLE R611.8(6)**  
**MAXIMUM ALLOWABLE CLEAR SPANS FOR 6-INCH THICK WAFFLE-GRID LINTELS IN LOAD-BEARING WALLS<sup>a, b, c, d, e, f, o</sup>**  
**MAXIMUM ROOF CLEAR SPAN 40 FEET AND MAXIMUM FLOOR SPAN 32 FEET**

LINTEL DEPTH, <i>D</i> <sup>g</sup> (inches)	NUMBER OF BARS AND BAR SIZE IN TOP AND BOTTOM OF LINTEL	STEEL YIELD STRENGTH <sup>h</sup> , <i>f<sub>y</sub></i> (psi)	DESIGN LOADING CONDITION DETERMINED FROM TABLE R611.8(1)								
			1	2		3		4		5	
			Maximum ground snow load (psf)								
				30	70	30	70	30	70	30	70
Maximum clear span of lintel (feet - inches)											
8 <sup>i</sup>	Span without stirrups <sup>k, l</sup>		2-7	2-9	2-0	2-1	2-0	2-0	2-0	2-0	2-0
	1-#4	40,000	5-2	5-5	4-0	4-3	3-7	3-3	2-11	2-4	2-3
		60,000	5-9	6-3	4-0	4-3	3-7	3-3	2-11	2-4	2-3
	1-#5	40,000	5-9	6-3	4-0	4-3	3-7	3-3	2-11	2-4	2-3
		60,000	5-9	6-3	4-0	4-3	3-7	3-3	2-11	2-4	2-3
	2-#4 1-#6	40,000	5-9	6-3	4-0	4-3	3-7	3-3	2-11	2-4	2-3
60,000		DR	DR	DR	DR	DR	DR	DR	DR	DR	
Center distance <i>A</i> <sup>m, n</sup>			0-9	0-10	0-6	0-6	0-5	0-5	0-4	STL	STL
12 <sup>i</sup>	Span without stirrups <sup>k, l</sup>		2-11	3-1	2-6	2-7	2-5	2-4	2-3	2-1	2-0
	1-#4	40,000	5-9	6-2	4-8	4-10	4-4	4-1	3-9	3-2	3-1
		60,000	8-0	8-7	6-6	6-9	6-0	5-5	4-11	3-11	3-10
	1-#5	40,000	8-1	8-9	6-8	6-11	6-0	5-5	4-11	3-11	3-10
		60,000	9-1	10-3	6-8	7-0	6-0	5-5	4-11	3-11	3-10
	2-#4 1-#6	40,000	9-1	9-9	6-8	7-0	6-0	5-5	4-11	3-11	3-10
60,000		DR	DR	DR	DR	DR	DR	DR	DR	DR	
Center distance <i>A</i> <sup>m, n</sup>			1-3	1-5	0-10	0-11	0-9	0-8	0-6	STL	STL
16 <sup>i</sup>	Span without stirrups <sup>k, l</sup>		4-0	4-4	3-6	3-7	3-4	3-3	3-1	2-10	2-10
	1-#4	40,000	6-7	7-3	5-6	5-9	5-2	4-10	4-6	3-9	3-8
		60,000	8-0	8-10	6-9	7-0	6-3	5-11	5-5	4-7	4-5
	1-#5	40,000	8-2	9-0	6-11	7-2	6-5	6-0	5-7	4-8	4-6
		60,000	11-5	12-6	9-3	9-9	8-4	7-7	6-10	5-6	5-4
	2-#4 1-#6	40,000	10-7	11-7	8-11	9-3	8-3	7-7	6-10	5-6	5-4
		60,000	12-2	14-0	9-3	9-9	8-4	7-7	6-10	5-6	5-4
	2-#5	40,000	12-2	14-2	9-3	9-9	8-4	7-7	6-10	5-6	5-4
60,000		DR	DR	DR	DR	DR	DR	DR	DR	DR	
Center distance <i>A</i> <sup>m, n</sup>			1-8	2-0	1-2	1-3	1-0	0-11	0-9	STL	STL
20 <sup>i</sup>	Span without stirrups <sup>k, l</sup>		5-0	5-6	4-6	4-7	4-3	4-1	4-0	3-8	3-8
	1-#4	40,000	7-2	8-2	6-3	6-6	5-10	5-6	5-1	4-3	4-2
		60,000	8-11	9-11	7-8	7-11	7-1	6-8	6-2	5-2	5-0
	1-#5	40,000	9-1	10-2	7-9	8-1	7-3	6-10	6-4	5-4	5-2
		60,000	12-8	14-2	10-11	11-3	10-2	9-6	8-9	7-1	6-10
	2-#4 1-#6	40,000	10-3	11-5	8-9	9-1	8-2	7-8	7-1	6-0	5-10
		60,000	14-3	15-11	11-9	12-5	10-8	9-9	8-9	7-1	6-10
	2-#5	40,000	14-6	16-3	11-6	12-1	10-4	9-6	8-6	6-11	6-8
60,000		DR	DR	DR	DR	DR	DR	DR	DR	DR	
Center distance <i>A</i> <sup>m, n</sup>			2-0	2-6	1-6	1-7	1-3	1-1	1-0	STL	STL

(continued)

**TABLE R611.8(6)—continued**  
**MAXIMUM ALLOWABLE CLEAR SPANS FOR 6-INCH THICK WAFFLE-GRID LINTELS IN LOAD-BEARING WALLS<sup>a, b, c, d, e, f, o</sup>**  
**MAXIMUM ROOF CLEAR SPAN 40 FEET AND MAXIMUM FLOOR SPAN 32 FEET**

LINTEL DEPTH, <i>D<sup>g</sup></i> (inches)	NUMBER OF BARS AND BAR SIZE IN TOP AND BOTTOM OF LINTEL	STEEL YIELD STRENGTH <sup>h</sup> , <i>f<sub>y</sub></i> (psi)	DESIGN LOADING CONDITION DETERMINED FROM TABLE R611.8(1)								
			1	2		3		4		5	
			Maximum ground snow load (psf)								
				30	70	30	70	30	70	30	70
Maximum clear span of lintel (feet - inches)											
24 <sup>wj</sup>	Span without stirrups <sup>k, l</sup>		6-0	6-8	5-5	5-7	5-3	5-0	4-10	4-6	4-5
	1-#4	40,000	7-11	9-0	6-11	7-2	6-5	6-0	5-7	4-8	4-7
		60,000	9-8	10-11	8-5	8-9	7-10	7-4	6-10	5-9	5-7
	1-#5	40,000	9-10	11-2	8-7	8-11	8-0	7-6	7-0	5-10	5-8
		60,000	12-0	13-7	10-6	10-10	9-9	9-2	8-6	7-2	6-11
	2-#4 1-#6	40,000	11-1	12-7	9-8	10-1	9-1	8-6	7-10	6-7	6-5
		60,000	15-6	17-7	13-6	14-0	12-8	11-10	10-8	8-7	8-4
	2-#5	40,000	15-6	17-11	12-8	13-4	11-6	10-7	9-7	7-10	7-7
		60,000	DR	DR	DR	DR	DR	DR	DR	DR	DR
	Center distance <i>A<sup>m, n</sup></i>			2-4	3-0	1-9	1-11	1-6	1-4	1-2	STL

For SI: 1 inch = 25.4 mm; 1 pound per square foot = 0.0479 kPa; 1 foot = 304.8 mm; Grade 40 = 280 MPa; Grade 60 = 420 MPa.

- a. Where lintels are formed with waffle-grid forms, form material shall be removed, if necessary, to create top and bottom flanges of the lintel that are not less than 3 inches in depth (in the vertical direction), are not less than 5 inches (127 mm) in width for 6-inch nominal waffle-grid forms and not less than 7 inches in width for 8-inch nominal waffle-grid forms. See Figure R611.8(3). Flat form lintels shall be permitted in place of waffle-grid lintels. See Tables R611.8(2) through R611.8(5).
- b. See Table R611.3 for tolerances permitted from nominal thicknesses and minimum dimensions and spacing of cores.
- c. Table values are based on concrete with a minimum specified compressive strength of 2,500 psi (17.2 MPa). See Notes l and n. Table values are based on uniform loading. See Section R611.8.2 for lintels supporting concentrated loads.
- d. Deflection criterion is  $L/240$ , where  $L$  is the clear span of the lintel in inches, or  $1/2$ -inch, whichever is less.
- e. Linear interpolation is permitted between ground snow loads.
- f. DR indicates design required. STL – stirrups required throughout lintel.
- g. Lintel depth,  $D$ , is permitted to include the available height of wall located directly above the lintel, provided that the increased lintel depth spans the entire length of the lintel.
- h. Stirrups shall be fabricated from reinforcing bars with the same yield strength as that used for the main longitudinal reinforcement.
- i. Lintels less than 24 inches in depth with stirrups shall be formed from flat-walls forms [see Tables R611.8(2) through R611.8(5)], or, if necessary, form material shall be removed from waffle-grid forms so as to provide the required cover for stirrups. Allowable spans for lintels formed with flat-wall forms shall be determined from Tables R611.8(2) through R611.8(5).
- j. Where stirrups are required for 24-inch (610 mm) deep lintels, the spacing shall not exceed 12 inches (305 mm) on center.
- k. Allowable clear span without stirrups applicable to all lintels of the same depth,  $D$ . Top and bottom reinforcement for lintels without stirrups shall not be less than the least amount of reinforcement required for a lintel of the same depth and loading condition with stirrups. All other spans require stirrups spaced at not more than  $d/2$ .
- l. Where concrete with a minimum specified compressive strength of 3,000 psi is used, clear spans for lintels without stirrups shall be permitted to be multiplied by 1.05. If the increased span exceeds the allowable clear span for a lintel of the same depth and loading condition with stirrups, the top and bottom reinforcement shall be equal to or greater than that required for a lintel of the same depth and loading condition that has an allowable clear span that is equal to or greater than that of the lintel without stirrups that has been increased.
- m. Center distance,  $A$ , is the center portion of the span where stirrups are not required. This is applicable to all longitudinal bar sizes and steel yield strengths.
- n. Where concrete with a minimum specified compressive strength of 3,000 psi is used, center distance,  $A$ , shall be permitted to be multiplied by 1.10.
- o. The maximum clear opening width between two solid wall segments shall be 18 feet. See Section R611.7.2.1. Lintel spans in the table greater than 18 feet are shown for interpolation and information only.

**TABLE R611.8(7)**  
**MAXIMUM ALLOWABLE CLEAR SPANS FOR 8-INCH THICK WAFFLE-GRID LINTELS IN LOAD-BEARING WALLS<sup>a,b,c,d,e,f,o</sup>**  
**MAXIMUM ROOF CLEAR SPAN 40 FEET AND MAXIMUM FLOOR CLEAR SPAN 32 FEET**

LINTEL DEPTH, <i>D</i> <sup>β</sup> (inches)	NUMBER OF BARS AND BAR SIZE IN TOP AND BOTTOM OF LINTEL	STEEL YIELD STRENGTH <sup>ρ</sup> , <i>f<sub>y</sub></i> (psi)	DESIGN LOADING CONDITION DETERMINED FROM TABLE R611.8(1)								
			1	2		3		4		5	
				Maximum ground snow load (psf)							
			30	70	30	70	30	70	30	70	
Maximum clear span of lintel (feet - inches)											
8 <sup>i</sup>	Span with stirrups <sup>k,1</sup>		2-6	2-9	2-0	2-1	2-0	2-0	2-0	2-0	2-0
	1-#4	40,000	4-5	4-9	3-7	3-9	3-4	3-0	2-10	2-3	2-2
		60,000	5-6	6-2	4-0	4-3	3-7	3-1	2-10	2-3	2-2
	1-#5	40,000	5-6	6-2	4-0	4-3	3-7	3-1	2-10	2-3	2-2
	Center distance <i>A</i> <sup>m,n</sup>		0-9	0-10	0-6	0-6	0-5	0-4	0-4	STL	STL
12 <sup>i</sup>	Span without stirrups <sup>k,1</sup>		2-10	3-1	2-6	2-7	2-5	2-3	2-2	2-0	2-0
	1-#4	40,000	5-7	6-1	4-8	4-10	4-4	3-11	3-8	3-0	2-11
		60,000	6-9	7-5	5-8	5-11	5-4	4-9	4-5	3-8	3-7
	1-#5	40,000	6-11	7-7	5-10	6-0	5-5	4-10	4-6	3-9	3-7
		60,000	8-8	10-1	6-7	7-0	5-11	5-2	4-8	3-9	3-7
	2-#4	40,000	8-8	9-10	6-7	7-0	5-11	5-2	4-8	3-9	3-7
	1-#6	60,000	8-8	10-1	6-7	7-0	5-11	5-2	4-8	3-9	3-7
Center distance <i>A</i> <sup>m,n</sup>		1-2	1-5	0-10	0-11	0-9	0-7	0-6	STL	STL	
16 <sup>i</sup>	Span without stirrups <sup>k,1</sup>		3-10	4-3	3-6	3-7	3-4	3-2	3-0	2-10	2-9
	1-#4	40,000	6-5	7-2	5-6	5-9	5-2	4-8	4-4	3-7	3-6
		60,000	7-9	8-9	6-9	7-0	6-3	5-8	5-3	4-4	4-3
	1-#5	40,000	7-11	8-11	6-10	7-1	6-5	5-9	5-4	4-5	4-4
		60,000	9-8	10-11	8-4	8-8	7-10	7-0	6-6	5-2	5-1
	2-#4	40,000	9-0	10-1	7-9	8-0	7-3	6-6	6-1	5-0	4-11
	1-#6	60,000	11-5	13-10	9-2	9-8	8-3	7-2	6-6	5-2	5-1
Center distance <i>A</i> <sup>m,n</sup>		1-6	1-11	1-2	1-3	1-0	0-10	0-8	STL	STL	
20 <sup>i</sup>	Span without stirrups <sup>k,1</sup>		4-10	5-5	4-5	4-7	4-3	4-0	3-11	3-7	3-7
	1-#4	40,000	7-0	8-1	6-3	6-5	5-10	5-3	4-11	4-1	3-11
		60,000	8-7	9-10	7-7	7-10	7-1	6-5	6-0	4-11	4-10
	1-#5	40,000	8-9	10-1	7-9	8-0	7-3	6-6	6-1	5-1	4-11
		60,000	10-8	12-3	9-6	9-10	8-10	8-0	7-5	6-2	6-0
	2-#4	40,000	9-10	11-4	8-9	9-1	8-2	7-4	6-10	5-8	5-7
	1-#6	60,000	12-0	13-10	10-8	11-0	9-11	9-0	8-4	6-8	6-6
	2-#5	40,000	12-3	14-1	10-10	11-3	10-2	8-11	8-1	6-6	6-4
60,000		14-0	17-6	11-8	12-3	10-6	9-1	8-4	6-8	6-6	
Center distance <i>A</i> <sup>m,n</sup>		1-10	2-5	1-5	1-7	1-3	1-0	0-11	STL	STL	
24 <sup>i</sup>	Span without stirrups <sup>k,1</sup>		5-9	6-7	5-5	5-6	5-2	4-11	4-9	4-5	4-4
	1-#4	40,000	7-6	8-10	6-10	7-1	6-5	5-9	5-5	4-6	4-4
		60,000	9-2	10-9	8-4	8-8	7-10	7-1	6-7	5-6	5-4
	1-#5	40,000	9-5	11-0	8-6	8-10	8-0	7-2	6-8	5-7	5-5
		60,000	11-5	13-5	10-5	10-9	9-9	8-9	8-2	6-10	6-8
	2-#4	40,000	10-7	12-5	9-8	10-0	9-0	8-1	7-7	6-3	6-2
	1-#6	60,000	12-11	15-2	11-9	12-2	11-0	9-11	9-3	7-8	7-6
	2-#5	40,000	13-2	15-6	12-0	12-5	11-2	9-11	9-2	7-5	7-3
		60,000	16-3	21-0	14-1	14-10	12-9	11-1	10-1	8-1	7-11
	2-#6	40,000	14-4	18-5	12-6	13-2	11-5	9-11	9-2	7-5	7-3
Center distance <i>A</i> <sup>m,n</sup>		2-1	2-11	1-9	1-10	1-6	1-3	1-1	STL	STL	

(continued)

**TABLE R611.8(7)—continued**  
**MAXIMUM ALLOWABLE CLEAR SPANS FOR 8-INCH THICK WAFFLE-GRID LINTELS IN LOAD-BEARING WALLS<sup>a, b, c, d, e, f, o</sup>**  
**MAXIMUM ROOF CLEAR SPAN 40 FEET AND MAXIMUM FLOOR CLEAR SPAN 32 FEET**

For SI: 1 inch = 25.4 mm; 1 pound per square foot = 0.0479 kPa; 1 foot = 304.8 mm; Grade 40 = 280 MPa; Grade 60 = 420 MPa.

- a. Where lintels are formed with waffle-grid forms, form material shall be removed, if necessary, to create top and bottom flanges of the lintel that are not less than 3 inches in depth (in the vertical direction), are not less than 5 inches in width for 6-inch nominal waffle-grid forms and not less than 7 inches in width for 8-inch nominal waffle-grid forms. See Figure R611.8(3). Flat form lintels shall be permitted in lieu of waffle-grid lintels. See Tables R611.8(2) through R611.8(5).
- b. See Table R611.3 for tolerances permitted from nominal thicknesses and minimum dimensions and spacing of cores.
- c. Table values are based on concrete with a minimum specified compressive strength of 2,500 psi (17.2 MPa). See Notes l and n. Table values are based on uniform loading. See Section R611.8.2 for lintels supporting concentrated loads.
- d. Deflection criterion is  $L/240$ , where  $L$  is the clear span of the lintel in inches, or  $1/2$ -inch, whichever is less.
- e. Linear interpolation is permitted between ground snow loads.
- f. DR indicates design required. STL – stirrups required throughout lintel.
- g. Lintel depth,  $D$ , is permitted to include the available height of wall located directly above the lintel, provided that the increased lintel depth spans the entire length of the lintel.
- h. Stirrups shall be fabricated from reinforcing bars with the same yield strength as that used for the main longitudinal reinforcement.
- i. Lintels less than 24 inches in depth with stirrups shall be formed from flat-wall forms [see Tables R611.8(2) through R611.8(5)], or, if necessary, form material shall be removed from waffle-grid forms so as to provide the required cover for stirrups. Allowable spans for lintels formed with flat-wall forms shall be determined from Tables R611.8(2) through R611.8(5).
- j. Where stirrups are required for 24-inch (610 mm) deep lintels, the spacing shall not exceed 12 inches on center.
- k. Allowable clear span without stirrups applicable to all lintels of the same depth,  $D$ . Top and bottom reinforcement for lintels without stirrups shall not be less than the least amount of reinforcement required for a lintel of the same depth and loading condition with stirrups. All other spans require stirrups spaced at not more than  $d/2$ .
- l. Where concrete with a minimum specified compressive strength of 3,000 psi is used, clear spans for lintels without stirrups shall be permitted to be multiplied by 1.05. If the increased span exceeds the allowable clear span for a lintel of the same depth and loading condition with stirrups, the top and bottom reinforcement shall be equal to or greater than that required for a lintel of the same depth and loading condition that has an allowable clear span that is equal to or greater than that of the lintel without stirrups that has been increased.
- m. Center distance,  $A$ , is the center portion of the span where stirrups are not required. This is applicable to all longitudinal bar sizes and steel yield strengths.
- n. Where concrete with a minimum specified compressive strength of 3,000 psi is used, center distance,  $A$ , shall be permitted to be multiplied by 1.10.
- o. The maximum clear opening width between two solid wall segments shall be 18 feet. See Section R611.7.2.1. Lintel spans in the table greater than 18 feet are shown for interpolation and information only.

**TABLE R611.8(8)**  
**MAXIMUM ALLOWABLE CLEAR SPANS FOR 6-INCH THICK SCREEN-GRID LINTELS IN LOAD-BEARING WALLS<sup>a, b, c, d, e, f, p</sup>**  
**ROOF CLEAR SPAN 40 FEET AND FLOOR CLEAR SPAN 32 FEET**

LINTEL DEPTH, <i>D</i> <sup>j</sup> (inches)	NUMBER OF BARS AND BAR SIZE IN TOP AND BOTTOM OF LINTEL	STEEL YIELD STRENGTH <sup>n, o</sup> , <i>f<sub>y</sub></i> (psi)	DESIGN LOADING CONDITION DETERMINED FROM TABLE R611.8(1)								
			1	2		3		4		5	
				Maximum ground snow load (psf)							
			30	70	30	70	30	70	30	70	
Maximum clear span of lintel (feet - inches)											
12 <sup>i, j</sup>	Span without stirrups		2-9	2-11	2-4	2-5	2-3	2-3	2-2	2-0	2-0
16 <sup>i, j</sup>	Span without stirrups		3-9	4-0	3-4	3-5	3-2	3-1	3-0	2-9	2-9
20 <sup>i, j</sup>	Span without stirrups		4-9	5-1	4-3	4-4	4-1	4-0	3-10	3-7	3-7
24 <sup>k</sup>	Span without stirrups <sup>l, m</sup>		5-8	6-3	5-2	5-3	5-0	4-10	4-8	4-4	4-4
	1-#4	40,000	7-11	9-0	6-11	7-2	6-5	6-1	5-8	4-9	4-7
		60,000	9-9	11-0	8-5	8-9	7-10	7-5	6-10	5-9	5-7
	1-#5	40,000	9-11	11-2	8-7	8-11	8-0	7-7	7-0	5-11	5-9
		60,000	12-1	13-8	10-6	10-10	9-9	9-3	8-6	7-2	7-0
	2-#4	40,000	11-2	12-8	9-9	10-1	9-1	8-7	7-11	6-8	6-6
		60,000	15-7	17-7	12-8	13-4	11-6	10-8	9-8	7-11	7-8
	2-#5	40,000	14-11	18-0	12-2	12-10	11-1	10-3	9-4	7-8	7-5
		60,000	DR	DR	DR	DR	DR	DR	DR	DR	DR
	Center distance <i>A</i> <sup>n, o</sup>		2-0	2-6	1-6	1-7	1-4	1-2	1-0	STL	STL

- For SI: 1 inch = 25.4 mm; 1 pound per square foot = 0.0479 kPa; 1 foot = 304.8 mm; Grade 40 = 280 MPa; Grade 60 = 420 MPa.
- Where lintels are formed with screen-grid forms, form material shall be removed if necessary to create top and bottom flanges of the lintel that are not less than 5 inches in width and not less than 2.5 inches in depth (in the vertical direction). See Figure R611.8(4). Flat form lintels shall be permitted in lieu of screen-grid lintels. See Tables R611.8(2) through R611.8(5).
  - See Table R611.3 for tolerances permitted from nominal thickness and minimum dimensions and spacings of cores.
  - Table values are based on concrete with a minimum specified compressive strength of 2,500 psi. See Notes m and o. Table values are based on uniform loading. See Section R611.7.2.1 for lintels supporting concentrated loads.
  - Deflection criterion is  $L/240$ , where  $L$  is the clear span of the lintel in inches, or  $1/2$ -inch, whichever is less.
  - Linear interpolation is permitted between ground snow loads.
  - DR indicates design required. STL indicates stirrups required throughout lintel.
  - Lintel depth,  $D$ , is permitted to include the available height of wall located directly above the lintel, provided that the increased lintel depth spans the entire length of the lintel.
  - Stirrups shall be fabricated from reinforcing bars with the same yield strength as that used for the main longitudinal reinforcement.
  - Stirrups are not required for lintels less than 24 inches in depth fabricated from screen-grid forms. Top and bottom reinforcement shall consist of a No. 4 bar having a yield strength of 40,000 psi or 60,000 psi.
  - Lintels between 12 and 24 inches in depth with stirrups shall be formed from flat-wall forms [see Tables R611.8(2) through R611.8(5)], or form material shall be removed from screen-grid forms to provide a concrete section comparable to that required for a flat wall. Allowable spans for flat lintels with stirrups shall be determined from Tables R611.8(2) through R611.8(5).
  - Where stirrups are required for 24-inch deep lintels, the spacing shall not exceed 12 inches on center.
  - Allowable clear span without stirrups applicable to all lintels of the same depth,  $D$ . Top and bottom reinforcement for lintels without stirrups shall not be less than the least amount of reinforcement required for a lintel of the same depth and loading condition with stirrups. All other spans require stirrups spaced at not more than 12 inches.
  - Where concrete with a minimum specified compressive strength of 3,000 psi is used, clear spans for lintels without stirrups shall be permitted to be multiplied by 1.05. If the increased span exceeds the allowable clear span for a lintel of the same depth and loading condition with stirrups, the top and bottom reinforcement shall be equal to or greater than that required for a lintel of the same depth and loading condition that has an allowable clear span that is equal to or greater than that of the lintel without stirrups that has been increased.
  - Center distance,  $A$ , is the center portion of the span where stirrups are not required. This is applicable to all longitudinal bar sizes and steel yield strengths.
  - Where concrete with a minimum specified compressive strength of 3,000 psi is used, center distance,  $A$ , shall be permitted to be multiplied by 1.10.
  - The maximum clear opening width between two solid wall segments shall be 18 feet (5486 mm). See Section R611.7.2.1. Lintel spans in the table greater than 18 feet are shown for interpolation and information only.

**TABLE R611.8(9)**  
**MAXIMUM ALLOWABLE CLEAR SPANS FOR FLAT LINTELS WITHOUT STIRRUPS IN NONLOAD-BEARING WALLS<sup>a, b, c, d, e, g, h</sup>**

LINTEL DEPTH, $D^f$ (inches)	NUMBER OF BARS AND BAR SIZE	STEEL YIELD STRENGTH, $f_y$ (psi)	NOMINAL WALL THICKNESS (inches)								
			4		6		8		10		
			Lintel Supporting								
			Concrete Wall	Light-framed Gable	Concrete Wall	Light-framed Gable	Concrete Wall	Light-framed Gable	Concrete Wall	Light-framed Gable	
Maximum Clear Span of Lintel (feet - inches)											
8	1-#4	40,000	10-11	11-5	9-7	11-2	7-10	9-5	7-3	9-2	
		60,000	12-5	11-7	10-11	13-5	9-11	13-2	9-3	12-10	
	1-#5	40,000	12-7	11-7	11-1	13-8	10-1	13-5	9-4	13-1	
		60,000	DR	DR	12-7	16-4	11-6	14-7	10-9	14-6	
	2-#4 1-#6	40,000	DR	DR	12-0	15-3	10-11	15-0	10-2	14-8	
		60,000	DR	DR	DR	DR	12-2	15-3	11-7	15-3	
	2-#5	40,000	DR	DR	DR	DR	12-7	16-7	11-9	16-7	
		60,000	DR	DR	DR	DR	DR	DR	13-3	16-7	
	2-#6	40,000	DR	DR	DR	DR	DR	DR	13-2	17-8	
		60,000	DR	DR	DR	DR	DR	DR	DR	DR	
	12	1-#4	40,000	11-5	9-10	10-6	12-0	9-6	11-6	8-9	11-1
			60,000	11-5	9-10	11-8	13-3	10-11	14-0	10-1	13-6
1-#5		40,000	11-5	9-10	11-8	13-3	11-1	14-4	10-3	13-9	
		60,000	11-5	9-10	11-8	13-3	11-10	16-0	11-9	16-9	
2-#4 1-#6		40,000	DR	DR	11-8	13-3	11-10	16-0	11-2	15-6	
		60,000	DR	DR	11-8	13-3	11-10	16-0	11-11	18-4	
2-#5		40,000	DR	DR	11-8	13-3	11-10	16-0	11-11	18-4	
		60,000	DR	DR	11-8	13-3	11-10	16-0	11-11	18-4	
16		1-#4	40,000	13-6	13-0	11-10	13-8	10-7	12-11	9-11	12-4
			60,000	13-6	13-0	13-8	16-7	12-4	15-9	11-5	15-0
	1-#5	40,000	13-6	13-0	13-10	17-0	12-6	16-1	11-7	15-4	
		60,000	13-6	13-0	13-10	17-1	14-0	19-7	13-4	18-8	
	2-#4 1-#6	40,000	13-6	13-0	13-10	17-1	13-8	18-2	12-8	17-4	
		60,000	13-6	13-0	13-10	17-1	14-0	20-3	14-1	—	
	2-#5	40,000	13-6	13-0	13-10	17-1	14-0	20-3	14-1	—	
		60,000	DR	DR	13-10	17-1	14-0	20-3	14-1	—	
20	1-#4	40,000	14-11	15-10	13-0	14-10	11-9	13-11	10-10	13-2	
		60,000	15-3	15-10	14-11	18-1	13-6	17-0	12-6	16-2	
	1-#5	40,000	15-3	15-10	15-2	18-6	13-9	17-5	12-8	16-6	
		60,000	15-3	15-10	15-8	20-5	15-9	—	14-7	20-1	
	2-#4 1-#6	40,000	15-3	15-10	15-8	20-5	14-11	—	13-10	—	
		60,000	15-3	15-10	15-8	20-5	15-10	—	15-11	—	
	2-#5	40,000	15-3	15-10	15-8	20-5	15-10	—	15-11	—	
		60,000	15-3	15-10	15-8	20-5	15-10	—	15-11	—	
24	1-#4	40,000	16-1	17-1	13-11	15-10	12-7	14-9	11-8	13-10	
		60,000	16-11	18-5	16-1	19-3	14-6	18-0	13-5	17-0	
	1-#5	40,000	16-11	18-5	16-3	19-8	14-9	18-5	13-8	17-4	
		60,000	16-11	18-5	17-4	—	17-0	—	15-8	—	
	2-#4 1-#6	40,000	16-11	18-5	17-4	—	16-1	—	14-10	—	
		60,000	16-11	18-5	17-4	—	17-6	—	17-1	—	
	2-#5	40,000	16-11	18-5	17-4	—	17-6	—	17-4	—	
		60,000	16-11	18-5	17-4	—	17-6	—	17-8	—	

(continued)



**TABLE R611.8(9)—continued**  
**MAXIMUM ALLOWABLE CLEAR SPANS FOR FLAT LINTELS WITHOUT STIRRUPS IN NONLOAD-BEARING WALLS<sup>a, b, c, d, e, g, h</sup>**  
**ROOF CLEAR SPAN 40 FEET AND FLOOR CLEAR SPAN 32 FEET**

For SI: 1 inch = 25.4 mm; 1 foot = 304.8 mm; Grade 40 = 280 MPa; Grade 60 = 420 MPa.

- a. See Table R611.3 for tolerances permitted from nominal thickness.
- b. Table values are based on concrete with a minimum specified compressive strength of 2,500 psi. See Note e.
- c. Deflection criterion is  $L/240$ , where  $L$  is the clear span of the lintel in inches, or  $1/2$ -inch, whichever is less.
- d. Linear interpolation between lintels depths,  $D$ , is permitted provided the two cells being used to interpolate are shaded.
- e. Where concrete with a minimum specified compressive strength of 3,000 psi is used, spans in cells that are shaded shall be permitted to be multiplied by 1.05.
- f. Lintel depth,  $D$ , is permitted to include the available height of wall located directly above the lintel, provided that the increased lintel depth spans the entire length of the lintel.
- g. DR indicates design required.
- h. The maximum clear opening width between two solid wall segments shall be 18 feet (5486 mm). See Section R611.7.2.1. Lintel spans in the table greater than 18 feet are shown for interpolation and information purposes only.

**TABLE R611.8(10)**  
**MAXIMUM ALLOWABLE CLEAR SPANS FOR WAFFLE-GRID AND SCREEN GRID LINTELS**  
**WITHOUT STIRRUPS IN NONLOAD-BEARING WALLS<sup>c, d, e, f, g</sup>**

LINTEL DEPTH <sup>h</sup> , $D$ (inches)	FORM TYPE AND NOMINAL WALL THICKNESS (inches)					
	6-inch Waffle-grid <sup>a</sup>		8-inch Waffle-grid <sup>a</sup>		6-inch Screen-grid <sup>b</sup>	
	Lintel supporting					
	Concrete Wall	Light-framed Gable	Concrete Wall	Light-framed Gable	Concrete Wall	Light-framed Gable
	Maximum Clear Span of Lintel (feet - inches)					
8	10-3	8-8	8-8	8-3	—	—
12	9-2	7-6	7-10	7-1	8-8	6-9
16	10-11	10-0	9-4	9-3	—	—
20	12-5	12-2	10-7	11-2	—	—
24	13-9	14-2	11-10	12-11	13-0	12-9

For SI: 1 inch = 25.4 mm; 1 foot = 304.8 mm; Grade 40 = 280 MPa; Grade 60 = 420 MPa

- a. Where lintels are formed with waffle-grid forms, form material shall be removed, if necessary, to create top and bottom flanges of the lintel that are not less than 3 inches in depth (in the vertical direction), are not less than 5 inches in width for 6-inch waffle-grid forms and not less than 7 inches in width for 8-inch waffle-grid forms. See Figure R611.8(3). Flat form lintels shall be permitted in lieu of waffle-grid lintels. See Tables R611.8(2) through R611.8(5).
- b. Where lintels are formed with screen-grid forms, form material shall be removed if necessary to create top and bottom flanges of the lintel that are not less than 5 inches in width and not less than 2.5 inches in depth (in the vertical direction). See Figure R611.8(4). Flat form lintels shall be permitted in lieu of screen-grid lintels. See Tables R611.8(2) through R611.8(5).
- c. See Table R611.3 for tolerances permitted from nominal thickness and minimum dimensions and spacing of cores.
- d. Table values are based on concrete with a minimum specified compressive strength of 2,500 psi. See Note g.
- e. Deflection criterion is  $L/240$ , where  $L$  is the clear span of the lintel in inches, or  $1/2$ -inch, whichever is less.
- f. Top and bottom reinforcement shall consist of a No. 4 bar having a minimum yield strength of 40,000 psi.
- g. Where concrete with a minimum specified compressive strength of 3,000 psi is used, spans in shaded cells shall be permitted to be multiplied by 1.05.
- h. Lintel depth,  $D$ , is permitted to include the available height of wall located directly above the lintel, provided that the increased lintel depth spans the entire length of the lintel.

**R611.9 Requirements for connections—general.** Concrete walls shall be connected to footings, floors, ceilings and roofs in accordance with this section.

**R611.9.1 Connections between concrete walls and light-framed floor, ceiling and roof systems.** Connections between concrete walls and light-framed floor, ceiling and roof systems using the prescriptive details of Figures R611.9(1) through R611.9(12) shall comply with this section and Sections R611.9.2 and R611.9.3.

**R611.9.1.1 Anchor bolts.** Anchor bolts used to connect light-framed floor, ceiling and roof systems to concrete walls in accordance with Figures R611.9(1) through R611.9(12) shall have heads, or shall be rods with threads on both ends with a hex or square nut on the end embedded in the concrete. Bolts and threaded rods shall comply with Section R611.5.2.2. Anchor bolts with J- or L-hooks shall not be used where the connection details in these figures are used.

**R611.9.1.2 Removal of stay-in-place form material at bolts.** Holes in stay-in-place forms for installing bolts for attaching face-mounted wood ledger boards to the wall shall be a minimum of 4 inches (102 mm) in diameter for forms not greater than 1½ inches (38 mm) in thickness, and increased 1 inch (25 mm) in diameter for each ½-inch (13 mm) increase in form thickness. Holes in stay-in-place forms for installing bolts for attaching face-mounted cold-formed steel tracks to the wall shall be a minimum of 4 inches (102 mm) square. The wood ledger board or steel track shall be in direct contact with the concrete at each bolt location.

**Exception:** A vapor retarder or other material less than or equal to 1/16-inch (1.6 mm) in thickness is permitted to be installed between the wood ledger or cold-formed track and the concrete.

**R611.9.2 Connections between concrete walls and light-framed floor systems.** Connections between concrete walls and light-framed floor systems shall be in accordance with one of the following:

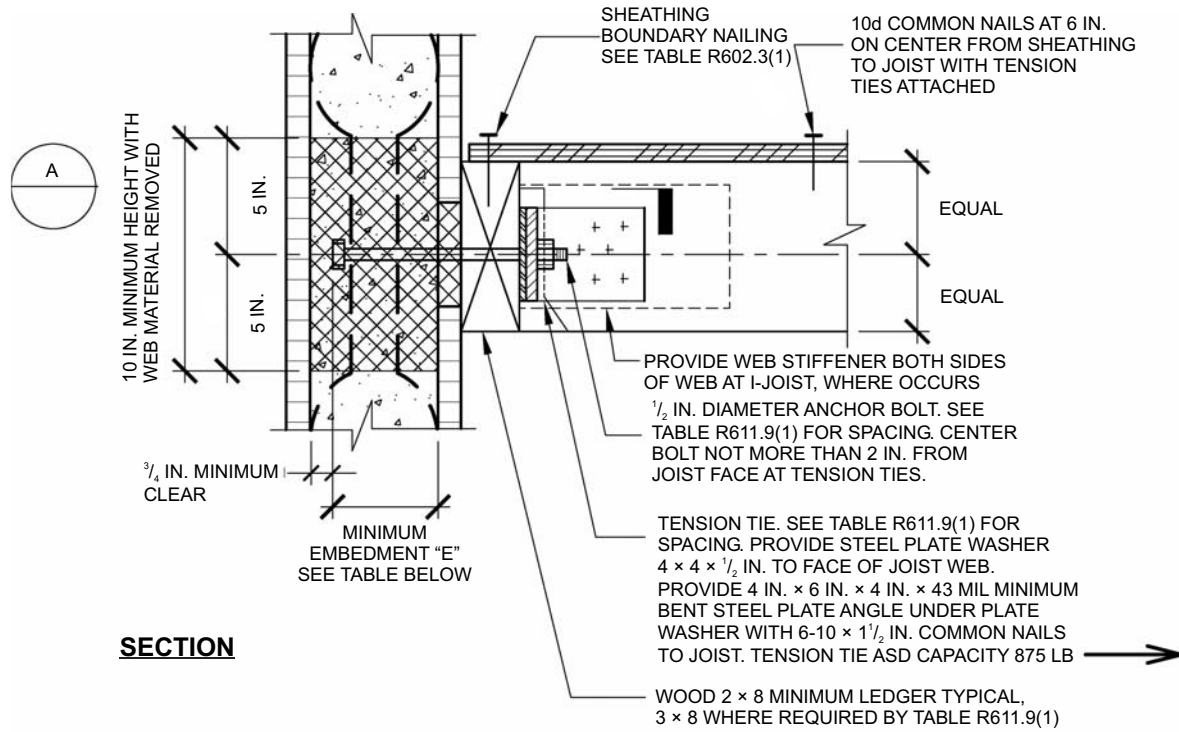
1. For floor systems of wood frame construction, the provisions of Section R611.9.1 and the prescriptive details of Figures R611.9(1) through R611.9(4), where permitted by the tables accompanying those figures. Portions of connections of wood-framed floor systems not noted in the figures shall be in accordance with Section R502, or AF&PA/WFCM, if applicable.
2. For floor systems of cold-formed steel construction, the provisions of Section R611.9.1 and the prescriptive details of Figures R611.9(5) through R611.9(8), where permitted by the tables accompanying those figures. Portions of connections of cold-formed-steel framed floor systems not noted in the figures shall be in accordance with Section R505, or AISI S230, if applicable.

3. Proprietary connectors selected to resist loads and load combinations in accordance with Appendix A (ASD) or Appendix B (LRFD) of PCA 100.
4. An engineered design using loads and load combinations in accordance with Appendix A (ASD) or Appendix B (LRFD) of PCA 100.
5. An engineered design using loads and material design provisions in accordance with this code, or in accordance with ASCE 7, ACI 318, and AF&PA/NDS for wood frame construction or AISI S100 for cold-formed steel frame construction.

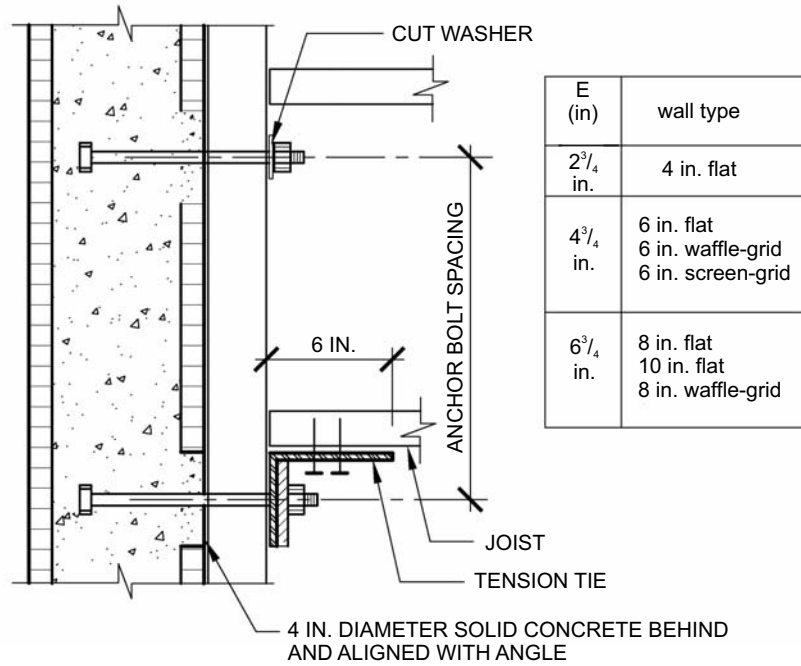
**R611.9.3 Connections between concrete walls and light-framed ceiling and roof systems.** Connections between concrete walls and light-framed ceiling and roof systems shall be in accordance with one of the following:

1. For ceiling and roof systems of wood frame construction, the provisions of Section R611.9.1 and the prescriptive details of Figures R611.9(9) and R611.9(10), where permitted by the tables accompanying those figures. Portions of connections of wood-framed ceiling and roof systems not noted in the figures shall be in accordance with Section R802, or AF&PA/WFCM, if applicable.
2. For ceiling and roof systems of cold-formed-steel construction, the provisions of Section R611.9.1 and the prescriptive details of Figures R611.9(11) and R611.9(12), where permitted by the tables accompanying those figures. Portions of connections of cold-formed-steel framed ceiling and roof systems not noted in the figures shall be in accordance with Section R804, or AISI S230, if applicable.
3. Proprietary connectors selected to resist loads and load combinations in accordance with Appendix A (ASD) or Appendix B (LRFD) of PCA 100.
4. An engineered design using loads and load combinations in accordance with Appendix A (ASD) or Appendix B (LRFD) of PCA 100.
5. An engineered design using loads and material design provisions in accordance with this code, or in accordance with ASCE 7, ACI 318, and AF&PA/NDS for wood-frame construction or AISI S100 for cold-formed-steel frame construction.

**R611.10 Floor, roof and ceiling diaphragms.** Floors and roofs in all buildings with exterior walls of concrete shall be designed and constructed as *diaphragms*. Where gable-end walls occur, ceilings shall also be designed and constructed as *diaphragms*. The design and construction of floors, roofs and ceilings of wood framing or cold-formed-steel framing serving as *diaphragms* shall comply with the applicable requirements of this code, or AF&PA/WFCM or AISI S230, if applicable.



**SECTION**



**DETAIL A - PLAN VIEW**

For SI: 1 mil = 0.0254 mm, 1 inch = 25.4 mm, 1 pound-force = 4.448 N.

**FIGURE R611.9(1)**  
**WOOD FRAMED FLOOR TO SIDE OF CONCRETE WALL, FRAMING PERPENDICULAR**

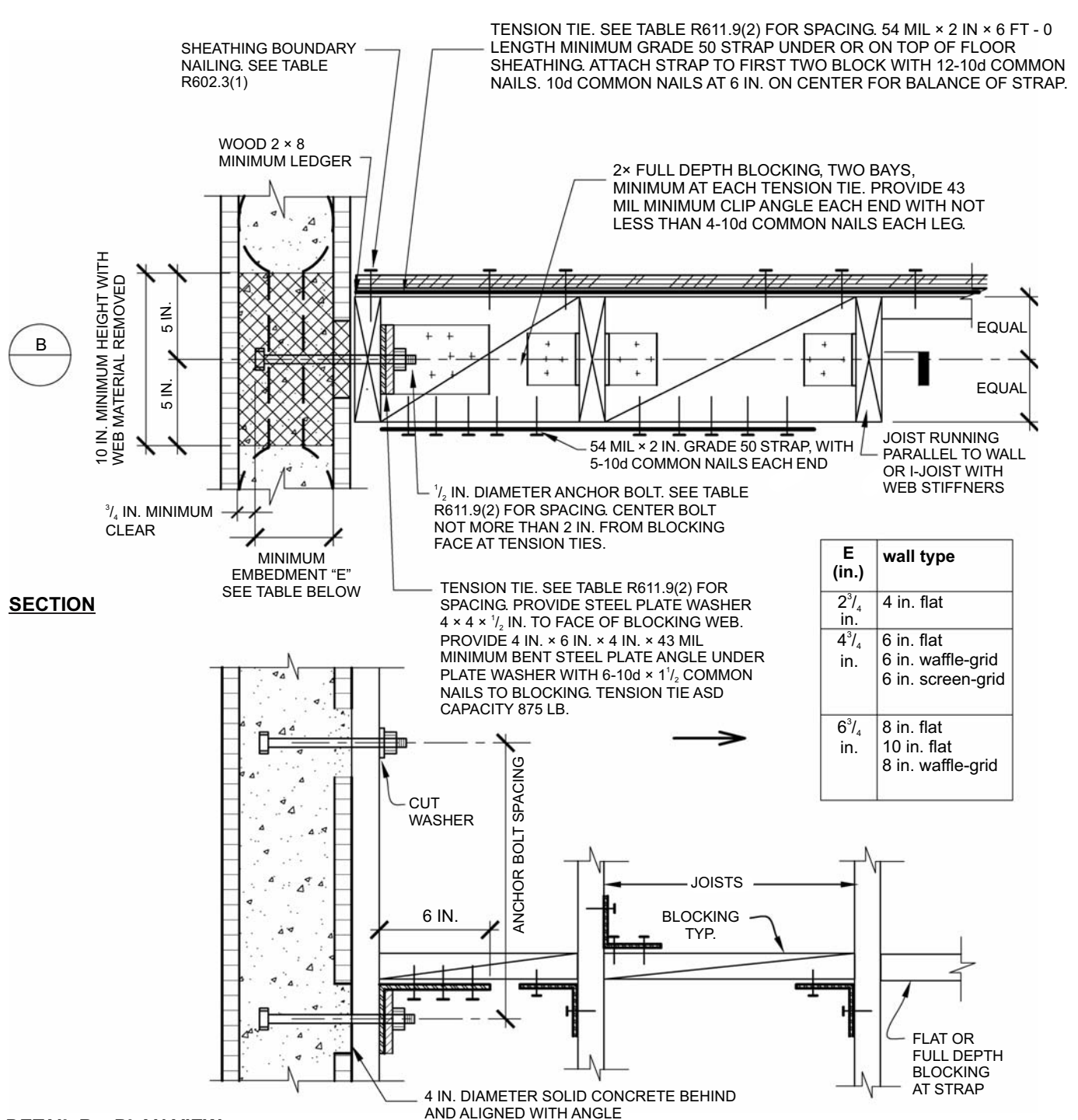
**TABLE R611.9(1)**  
**WOOD FRAMED FLOOR TO SIDE OF CONCRETE WALL, FRAMING PERPENDICULAR<sup>a, b, c</sup>**

ANCHOR BOLT SPACING (Inches)	TENSION TIE SPACING (Inches)	BASIC WIND SPEED (mph)					
		85B	90B	100B	110B	120B	130B
				85C	90C	100C	110C
				85D	90D	100D	
12	12						
12	24						
12	36						
12	48						
16	16					A	A
16	32						
16	48						
19.2	19.2	A	A	A	A	A	
19.2	38.4	A	A	A			

For SI: 1 inch = 25.4 mm; 1 mile per hour = 0.447 m/s.

- a. This table is for use with the detail in Figure R611.9(1). Use of this detail is permitted where a cell is not shaded and prohibited where shaded.
- b. Wall design per other provisions of Section R611 is required.
- c. Letter "A" indicates that a minimum nominal 3 × 8 ledger is required.

**WALL CONSTRUCTION**



For SI: 1 mil = 0.0254 mm, 1 inch = 25.4 mm, 1 foot = 304.8 mm, 1 pound-force = 4.448 N.

**FIGURE R611.9(2)**  
**WOOD FRAMED FLOOR TO SIDE OF CONCRETE WALL FRAMING PARALLEL**

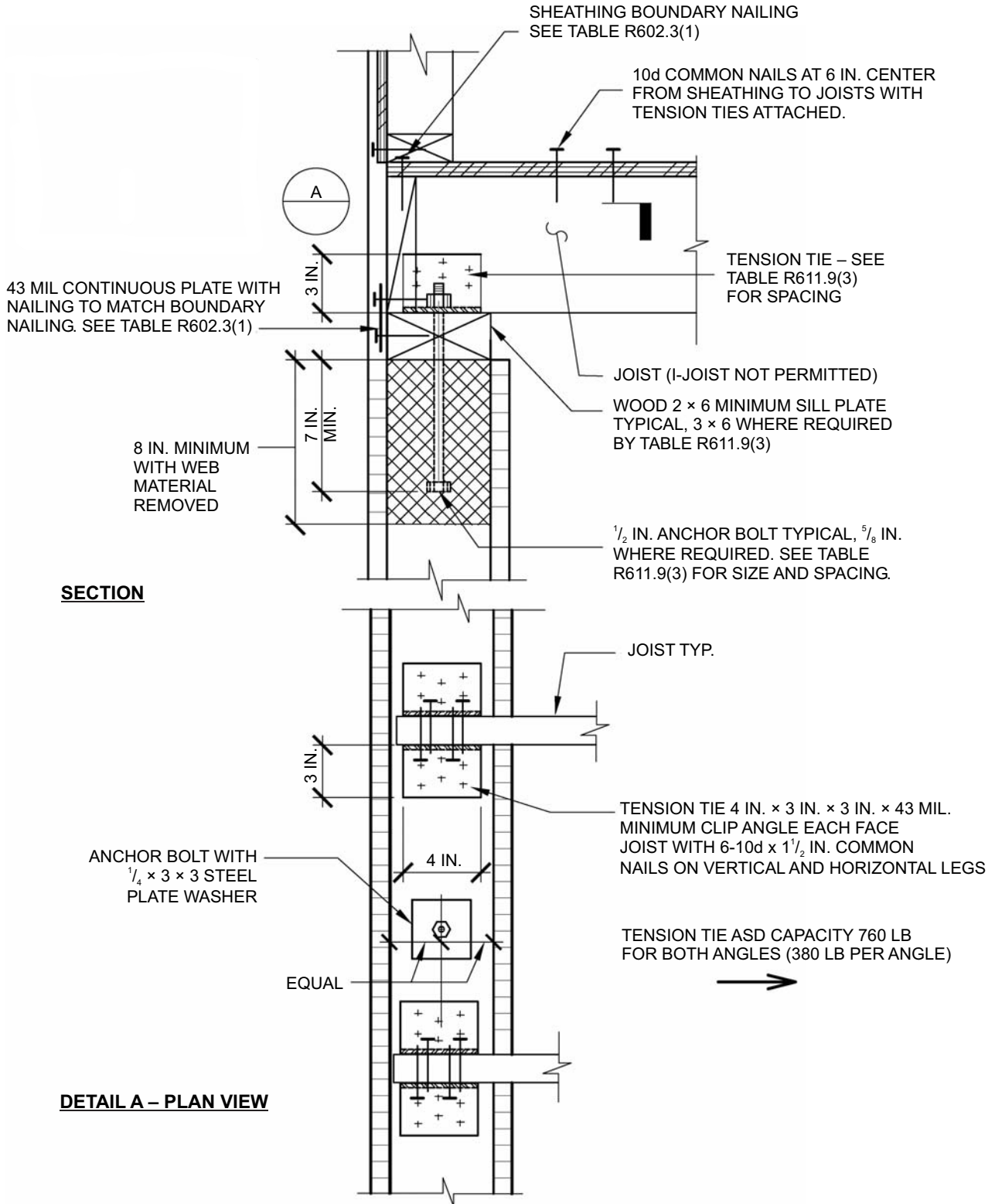
**TABLE R611.9(2)**  
**WOOD FRAMED FLOOR TO SIDE OF CONCRETE WALL, FRAMING PARALLEL<sup>a, b</sup>**

ANCHOR BOLT SPACING (Inches)	TENSION TIE SPACING (Inches)	BASIC WIND SPEED (mph) AND WIND EXPOSURE CATEGORY					
		85b	90B	100B	110B	120B	130B
				85C	90C	100C	110C
				85D	90D	100D	
12	12						
12	24						
12	36						
12	48						
16	16						
16	32						
16	48						
19.2	19.2						
19.2	38.4						
24	24						
24	48						

For SI: 1 inch = 25.4 mm; 1 mph = 0.447 m/s.

a. This table is for use with the detail in Figure R611.9(2). Use of this detail is permitted where a cell is not shaded and prohibited where shaded.

b. Wall design per other provisions of Section R611 is required.



For SI: 1 mil = 0.0254 mm, 1 inch = 25.4 mm, 1 pound-force = 4.448 N.

**FIGURE R611.9(3)**  
**WOOD FRAMED FLOOR TO TOP OF CONCRETE WALL FRAMING PERPENDICULAR**

**TABLE R611.9(3)**  
**WOOD FRAMED FLOOR TO TOP OF CONCRETE WALL, FRAMING PERPENDICULAR<sup>a, b, c, d, e</sup>**

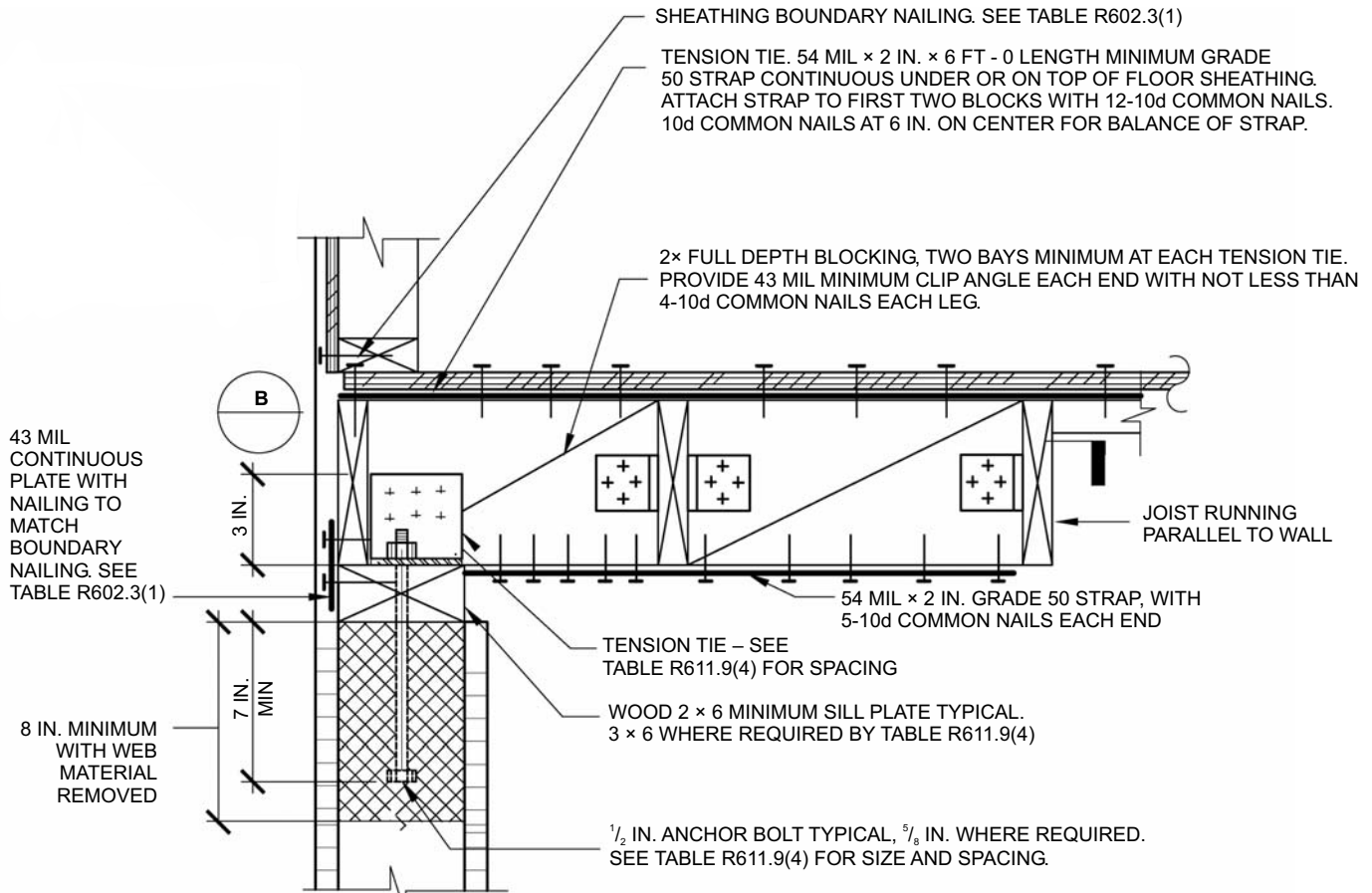
ANCHOR BOLT SPACING (Inches)	TENSION TIE SPACING (Inches)	BASIC WIND SPEED (mph) AND WIND EXPOSURE CATEGORY					
		85B	90B	100B	110B	120B	130B
				85C	90C	100C	110C
				85D	90D	100D	
12	12						
12	24						
12	36						
12	48						
16	16					6 A	6 B
16	32					6 A	6 B
16	48						
19.2	19.2				6 A	6 A	6 B
19.2	38.4				6 A	6 A	
24	24			6 A	6 B	6 A	
24	48			6 A			

For SI: 1 inch = 25.4 mm; 1 mile per hour = 0.447 m/s.

- a. This table is for use with the detail in Figure R611.9(3). Use of this detail is permitted where cell is not shaded, prohibited where shaded.
- b. Wall design per other provisions in Section R611 is required.
- c. For wind design, minimum 4-inch nominal wall is permitted in unshaded cells with no number.
- d. Number 6 indicates minimum permitted nominal wall thickness in inches necessary to develop required strength (capacity) of connection. As a minimum, this nominal thickness shall occur in the portion of the wall indicated by the cross-hatching in Figure R611.9(3). For the remainder of the wall, see Note b.
- e. Letter "A" indicates that a minimum nominal 3 × 6 sill plate is required. Letter "B" indicates that a 5/8 inch (16 mm) diameter anchor bolt and a minimal nominal 3 × 6 sill plate are required.

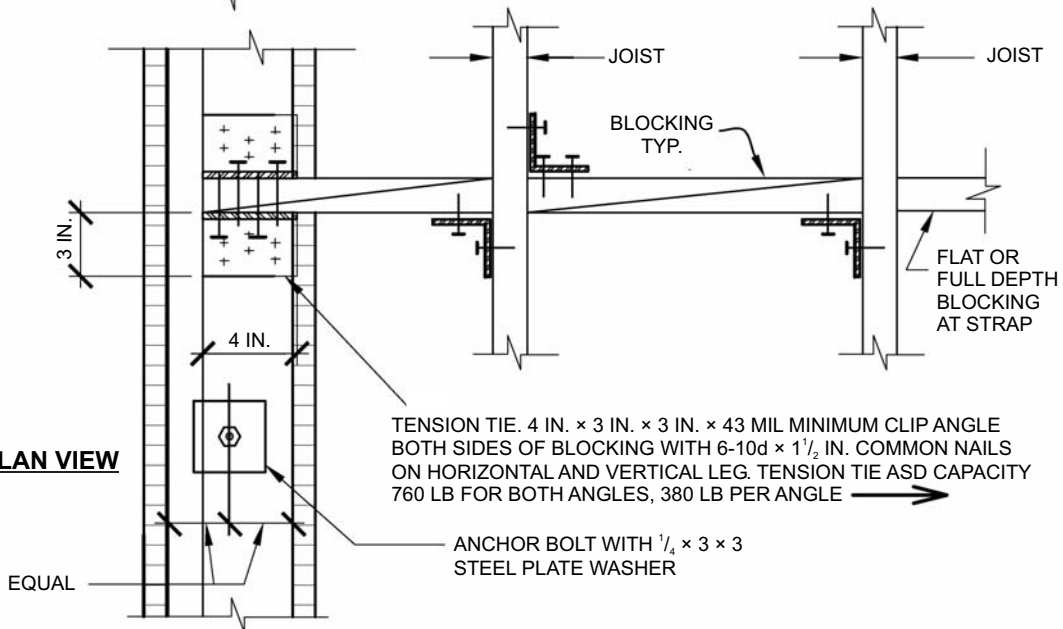


**WALL CONSTRUCTION**



**SECTION**

**DETAIL B - PLAN VIEW**



For SI: 1 mil = 0.0254 mm, 1 inch = 25.4 mm, 1 foot = 304.8 mm, 1 pound-force = 4.448 N.

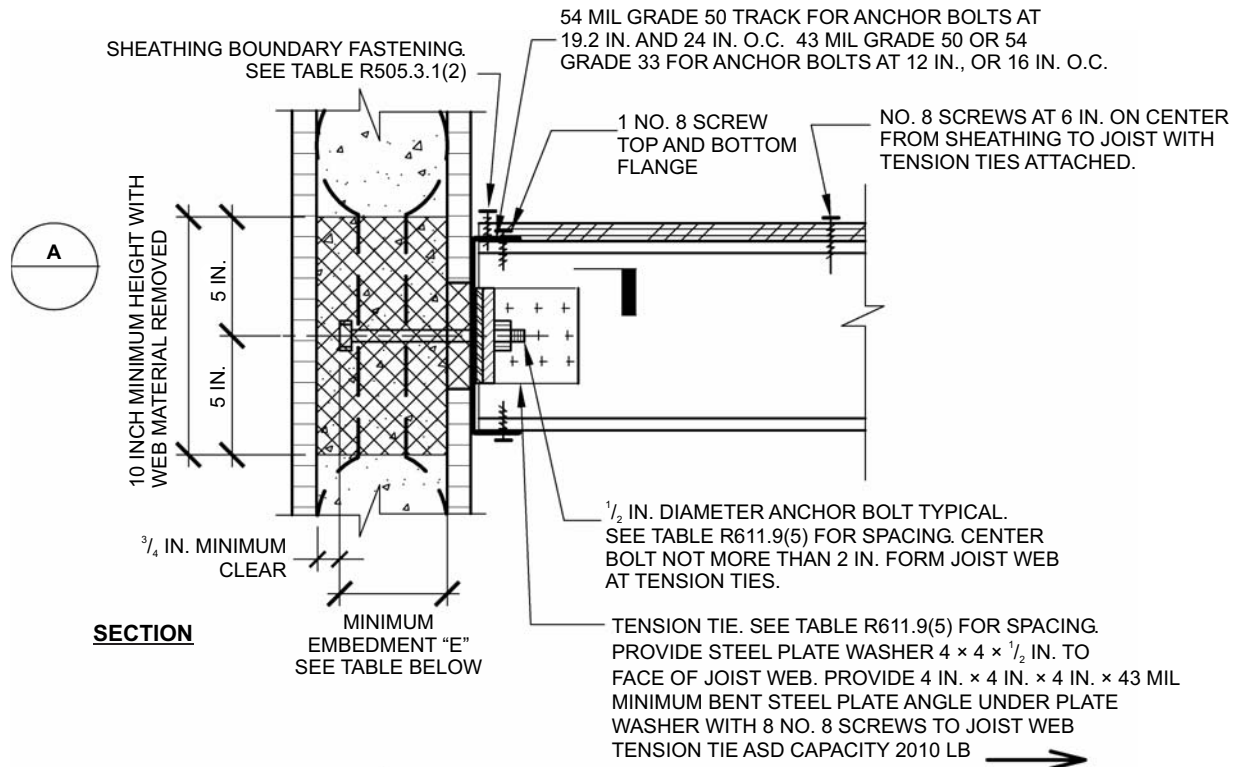
**FIGURE R611.9(4)**  
**WOOD FRAMED FLOOR TO TOP OF CONCRETE WALL FRAMING PARALLEL**

**TABLE R611.9(4)**  
**WOOD FRAMED FLOOR TO TOP OF CONCRETE WALL, FRAMING PARALLEL** <sup>a, b, c, d, e</sup>

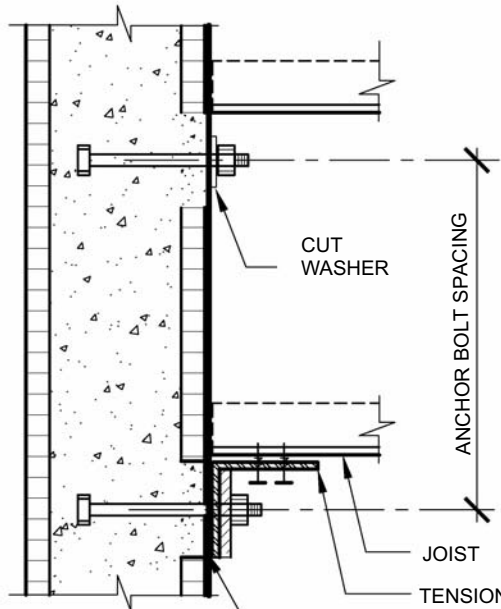
ANCHOR BOLT SPACING (Inches)	TENSION TIE SPACING (Inches)	BASIC WIND SPEED (mph) AND WIND EXPOSURE CATEGORY					
		85B	90B	100B	110B	120B	130B
				85C	90C	100C	110C
				85D	90D	100D	
	12						
12	24						
12	36						
12	48						
16	16					6 A	6 B
16	32					6 A	6 B
16	48						
19.2	19.2				6 A	6 A	6 B
19.2	38.4				6 A	6 A	
24	24			6 A	6 B	6 B	
24	48			6 A			

For SI: 1 inch = 25.4 mm; 1 mile per hour = 0.447 m/s.

- a. This table is for use with the detail in Figure R611.9(4). Use of this detail is permitted where a cell is not shaded, prohibited where shaded.
- b. Wall design per other provisions of Section R611 is required.
- c. For wind design, minimum 4-inch nominal wall is permitted in unshaded cells with no number.
- d. Number 6 indicates minimum permitted nominal wall thickness in inches necessary to develop required strength (capacity) of connection. As a minimum, this nominal thickness shall occur in the portion of the wall indicated by the cross-hatching in Figure R611.9(4). For the remainder of the wall, see Note b.
- e. Letter "A" indicates that a minimum nominal 3 × 6 sill plate is required. Letter "B" indicates that a 5/8 inch diameter anchor bolt and a minimal nominal 3 × 6 sill plate are required.



**SECTION**



**DETAIL A - PLAN VIEW**

E (in.)	wall type
2 <sup>3</sup> / <sub>4</sub> in.	4 in. flat
4 <sup>3</sup> / <sub>4</sub> in.	6 in. flat 6 in. waffle-grid 6 in. screen-grid
6 <sup>3</sup> / <sub>4</sub> in.	8 in. flat 10 in. flat 8 in. waffle-grid

For SI: 1 mil = 0.0254 mm, 1 inch = 25.4 mm, 1 pound-force = 4.448 N.

**FIGURE R611.9(5)**  
**COLD-FORMED STEEL FLOOR TO SIDE OF CONCRETE WALL, FRAMING PERPENDICULAR**

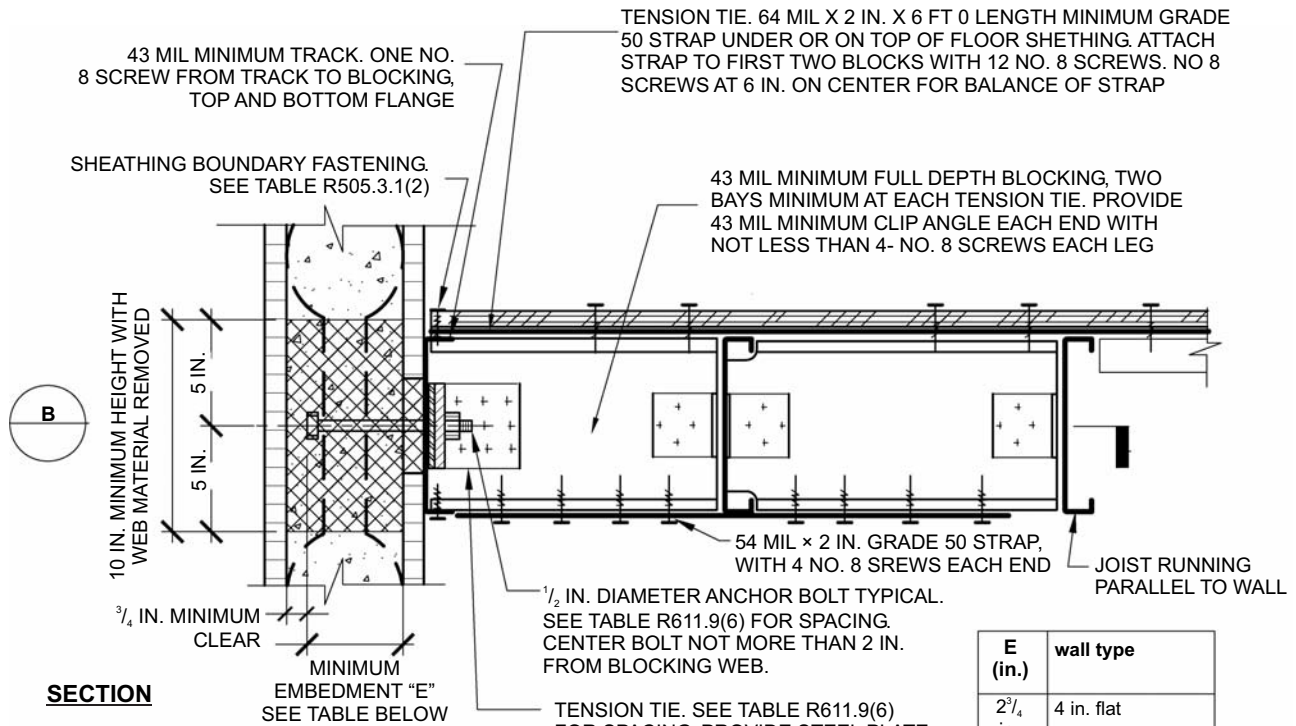
**TABLE R611.9(5)**  
**COLD-FORMED STEEL FRAMED FLOOR TO SIDE OF CONCRETE WALL, FRAMING PERPENDICULAR<sup>a, b, c, d</sup>**

ANCHOR BOLT SPACING (Inches)	TENSION TIE SPACING (Inches)	BASIC WIND SPEED (mph) AND WIND EXPOSURE CATEGORY						
		85B	90B	100B	110B	120B	130B	
				85C	90C	100C	110C	
			85D	90D	100D			
12	12							
12	24							
12	36							6
12	48					6		6
16	16							
16	32							
16	48					6		6
19.2	19.2							
19.2	38.4							6
24	24							
24	48					6		6

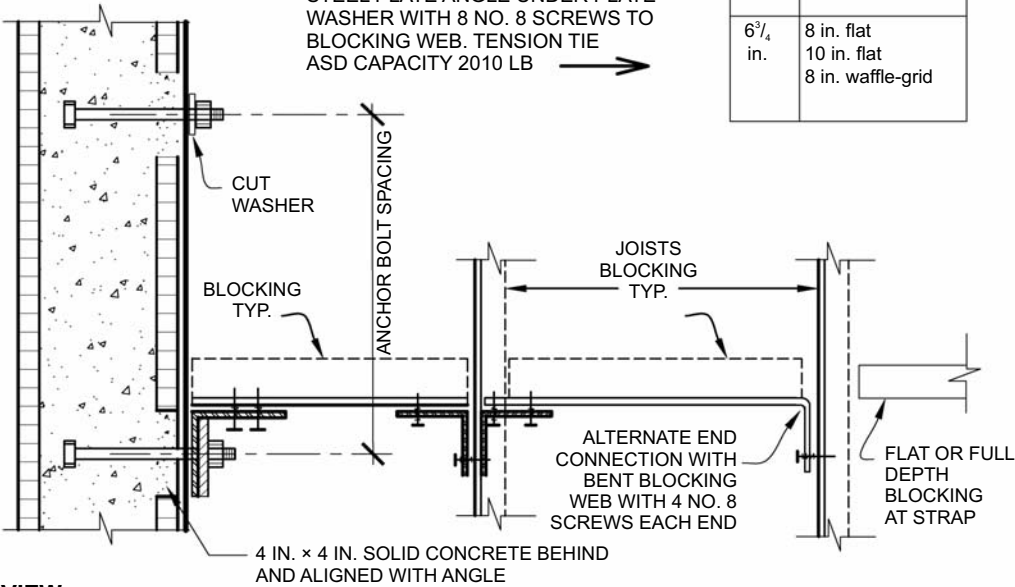
For SI: 1 inch = 25.4 mm; 1 mile per hour = 0.4470 m/s.

- a. This table is for use with the detail in Figure R611.9(5). Use of this detail is permitted where a cell is not shaded.
- b. Wall design per other provisions of Section R611 is required.
- c. For wind design, minimum 4-inch nominal wall is permitted in unshaded cells with no number.
- d. Number 6 indicates minimum permitted nominal wall thickness in inches necessary to develop required strength (capacity) of connection. As a minimum, this nominal thickness shall occur in the portion of the wall indicated by the cross-hatching in Figure R611.9(5). For the remainder of the wall, see Note b.

**WALL CONSTRUCTION**



E (in.)	wall type
2 <sup>3</sup> / <sub>4</sub> in.	4 in. flat
4 <sup>3</sup> / <sub>4</sub> in.	6 in. flat 6 in. waffle-grid 6 in. screen-grid
6 <sup>3</sup> / <sub>4</sub> in.	8 in. flat 10 in. flat 8 in. waffle-grid



For SI: 1 mil = 0.0254 mm, 1 inch = 25.4 mm, 1 pound-force = 4.448 N.

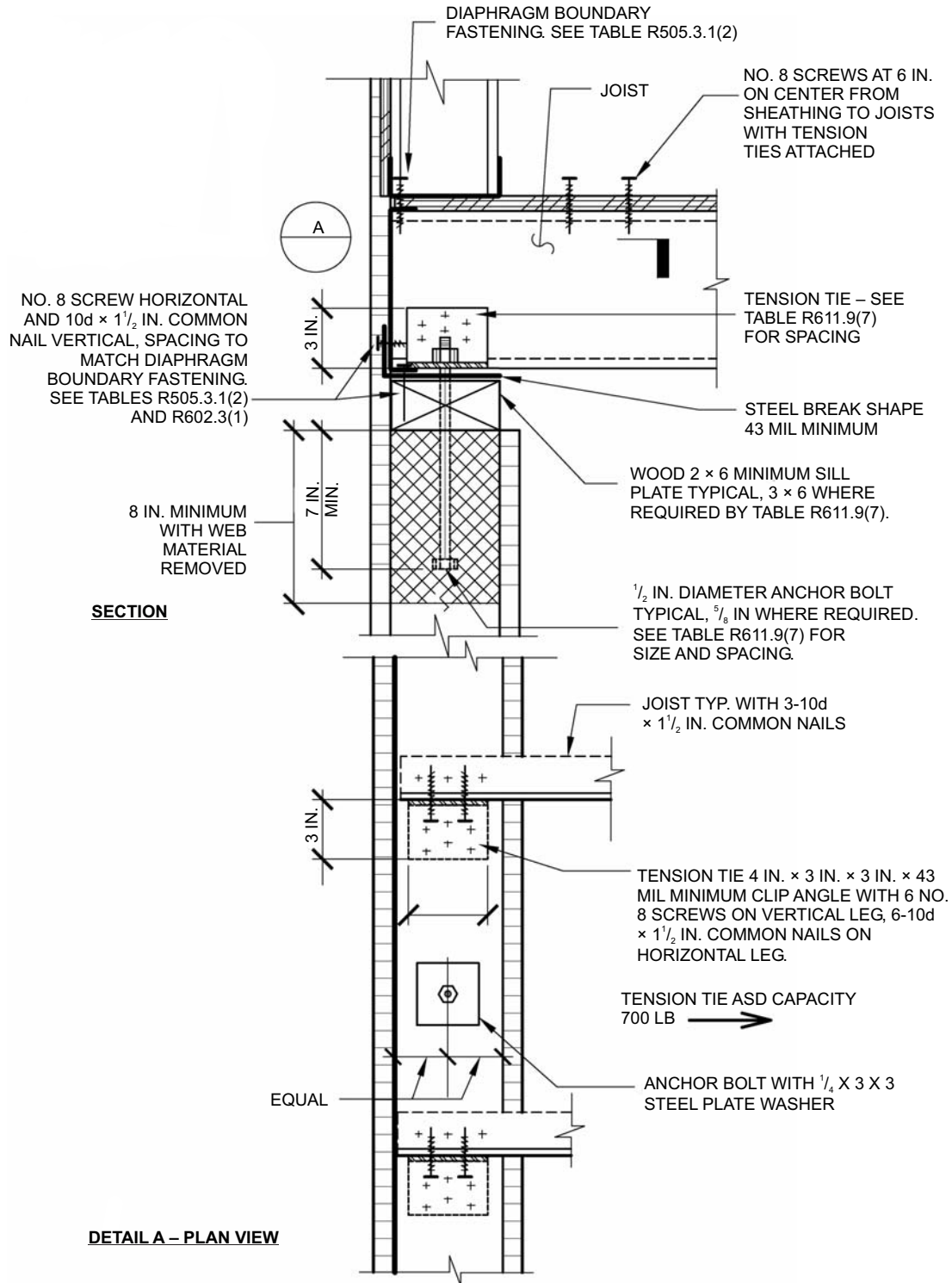
**FIGURE R611.9(6)**  
**COLD-FORMED STEEL FLOOR TO SIDE OF CONCRETE WALL, FRAMING PARALLEL**

**TABLE R611.9(6)**  
**COLD-FORMED STEEL FRAMED FLOOR TO SIDE OF CONCRETE WALL, FRAMING PARALLEL** <sup>a, b, c, d</sup>

ANCHOR BOLT SPACING (inches)	TENSION TIE SPACING (inches)	BASIC WIND SPEED (mph) AND WIND EXPOSURE CATEGORY					
		85B	90B	100B	110B	120B	130B
				85C	90C	100C	110C
				85D	90D	100D	
12	12						
12	24						
12	36						6
12	48				6		6
16	16						
16	32						
16	48				6		6
19.2	19.2						
19.2	38.4						6
24	24						
24	48				6		6

For SI: 1 inch = 25.4 mm; 1 mile per hour = 0.447 m/s.

- a. This table is for use with the detail in Figure R611.9(6). Use of this detail is permitted where a cell is not shaded.
- b. Wall design per other provisions of Section R611 is required.
- c. For wind design, minimum 4-inch nominal wall is permitted in unshaded cells with no number.
- d. Number 6 indicates minimum permitted nominal wall thickness in inches necessary to develop required strength (capacity) of connection. As a minimum, this nominal thickness shall occur in the portion of the wall indicated by the cross-hatching in Figure R611.9(6). For the remainder of the wall, see Note b.



For SI: 1 mil = 0.0254 mm, 1 inch = 25.4 mm, 1 pound-force = 4.448 N.

FIGURE R611.9(7)  
COLD-FORMED STEEL FLOOR TO TOP OF CONCRETE WALL FRAMING PERPENDICULAR

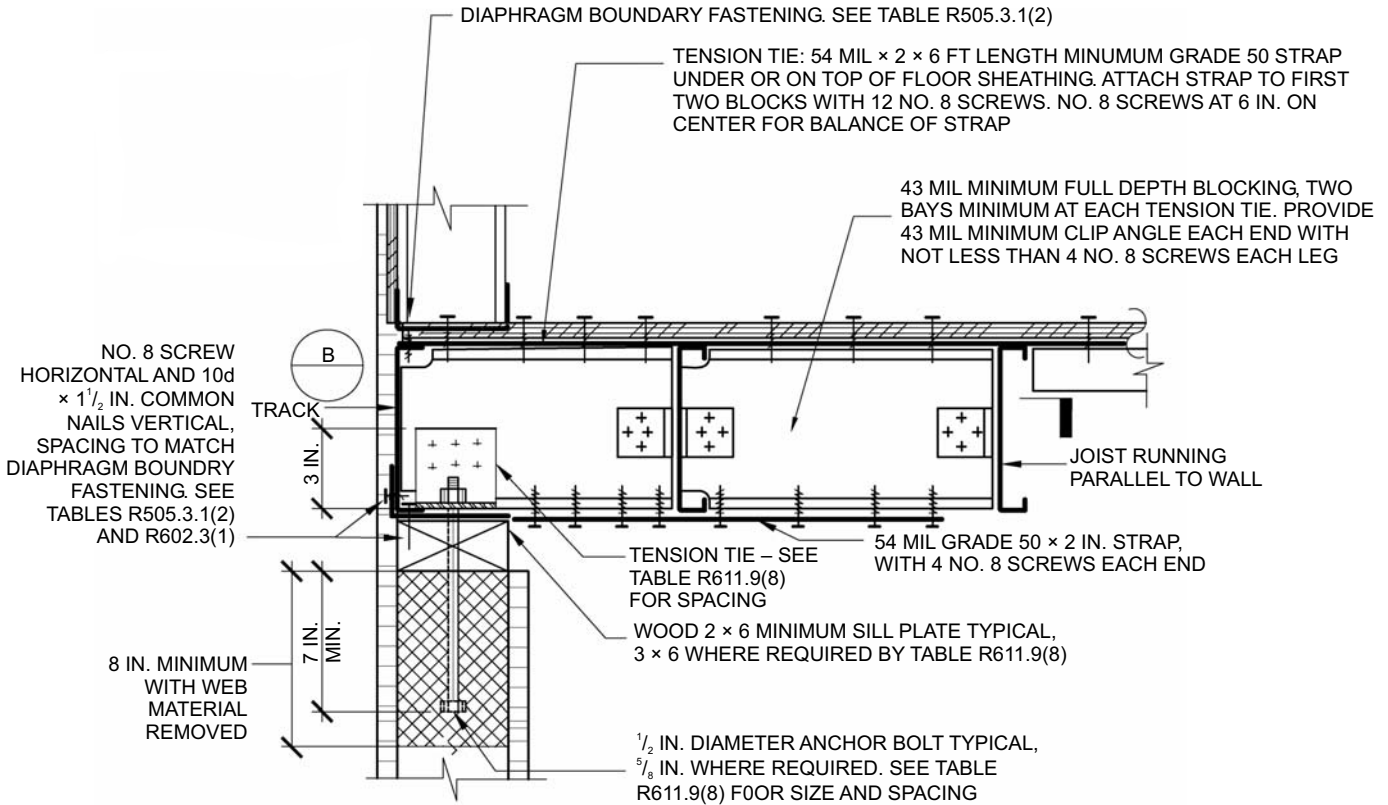
**TABLE R611.9(7)**  
**COLD-FORMED STEEL FRAMED FLOOR TO TOP OF CONCRETE WALL, FRAMING PERPENDICULAR<sup>a, b, c, d, e</sup>**

ANCHOR BOLT SPACING (inches)	TENSION TIE SPACING (inches)	BASIC WIND SPEED (mph) AND WIND EXPOSURE CATEGORY					
		85B	90B	100B	110B	120B	130B
				858C	90C	100C	110C
					85D	90D	100D
12	12						
12	24						
16	16					6 A	6 B
16	32					6 A	6 B
19.2	19.2				6 A	8 B	8 B
19.2	38.4				6 A	8 B	8 B
24	24			6 A	8 B	8 B	

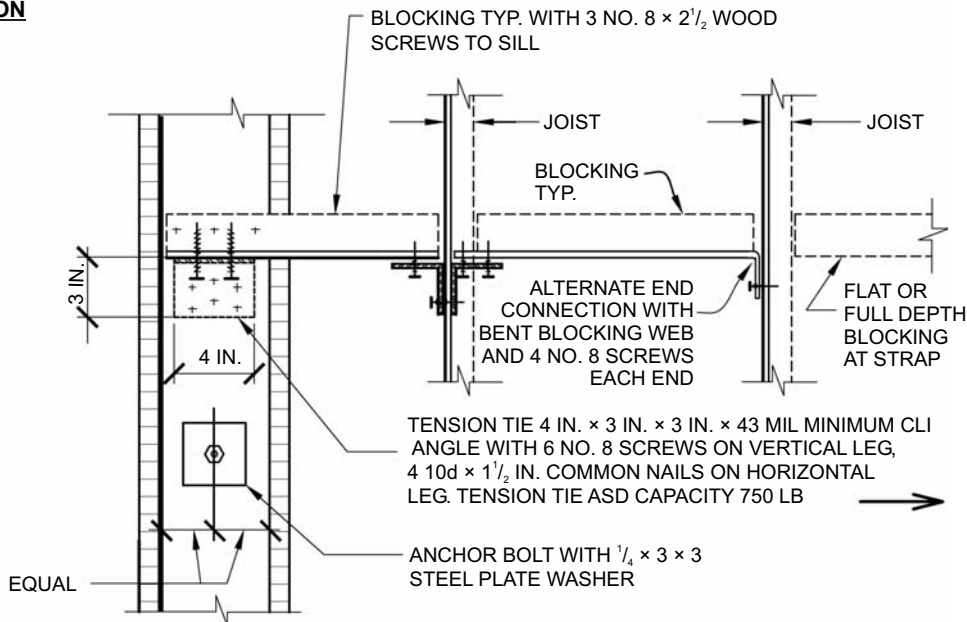
For SI: 1 inch = 25.4 mm; 1 mph = 0.447 m/s.

- a. This table is for use with the detail in Figure R611.9(7). Use of this detail is permitted where a cell is not shaded, prohibited where shaded.
- b. Wall design per other provisions of Section R611 is required.
- c. For wind design, minimum 4-inch nominal wall is permitted in unshaded cells with no number.
- d. Numbers 6 and 8 indicate minimum permitted nominal wall thickness in inches necessary to develop required strength (capacity) of connection. As a minimum, this nominal thickness shall occur in the portion of the wall indicated by the cross-hatching in Figure R611.9(7). For the remainder of the wall, see Note b.
- e. Letter "A" indicates that a minimum nominal 3 × 6 sill plate is required. Letter "B" indicates that a 5/8 inch diameter anchor bolt and a minimum nominal 3 × 6 sill plate are required.





**SECTION**



**DETAIL B - PLAN VIEW**

For SI: 1 mil = 0.0254 mm, 1 inch = 25.4 mm, 1 pound-force = 4.448 N.

**FIGURE R611.9(8)**  
**COLD-FORMED STEEL FLOOR TO TOP OF CONCRETE WALL, FRAMING PARALLEL**

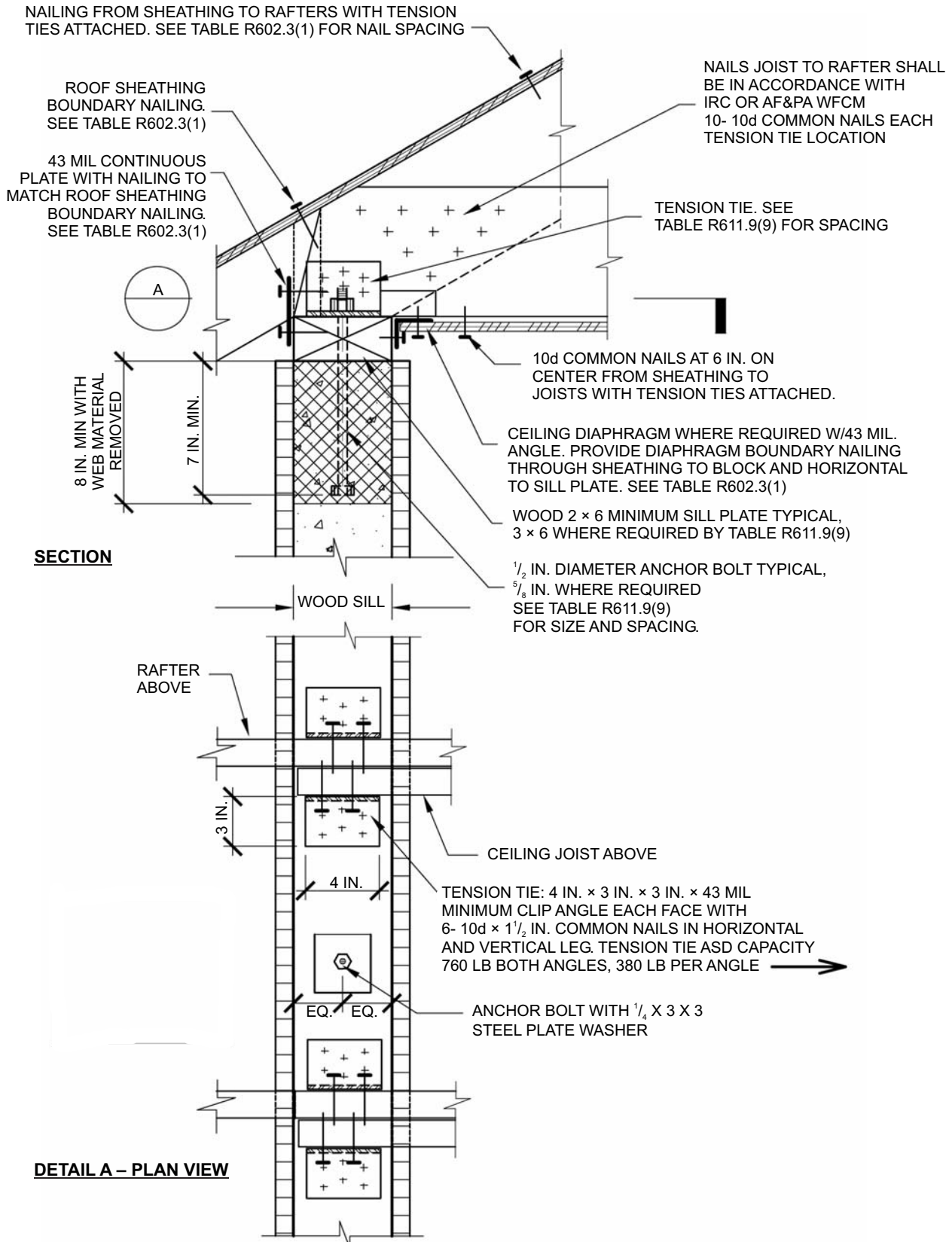
**TABLE R611.9(8)**  
**COLD-FORMED STEEL FRAMED FLOOR TO TOP OF CONCRETE WALL, FRAMING PARALLEL** <sup>a, b, c, d, e</sup>

ANCHOR BOLT SPACING (inches)	TENSION TIE SPACING (inches)	BASIC WIND SPEED (mph) AND WIND EXPOSURE CATEGORY					
		85B	90B	100B	110B	120B	130B
				85C	90C	100C	110C
			85D	90D	100D		
12	12						
12	24						
16	16					6 A	6 B
16	32					6 A	6 B
19.2	19.2				6 A	8 B	8 B
19.2	38.4				6 A	8 B	8 B
24	24			6 A	8 B	8 B	

For SI: 1 inch = 25.4 mm; 1 mph = 0.447 m/s.

- a. This table is for use with the detail in Figure R611.9(8). Use of this detail is permitted where a cell is not shaded, prohibited where shaded.
- b. Wall design per other provisions of Section R611 is required.
- c. For wind design, minimum 4-inch nominal wall is permitted in unshaded cells with no number.
- d. Numbers 6 and 8 indicate minimum permitted nominal wall thickness in inches necessary to develop required strength (capacity) of connection. As a minimum, this nominal thickness shall occur in the portion of the wall indicated by the cross-hatching in Figure R611.9(8). For the remainder of the wall, see Note b.
- e. Letter "A" indicates that a minimum nominal 3 × 6 sill plate is required. Letter "B" indicates that a 5/8 inch diameter anchor bolt and a minimum nominal 3 × 6 sill plate are required.

**WALL CONSTRUCTION**



For SI: 1 mil = 0.0254 mm, 1 inch = 25.4 mm, 1 pound-force = 4.448 N.

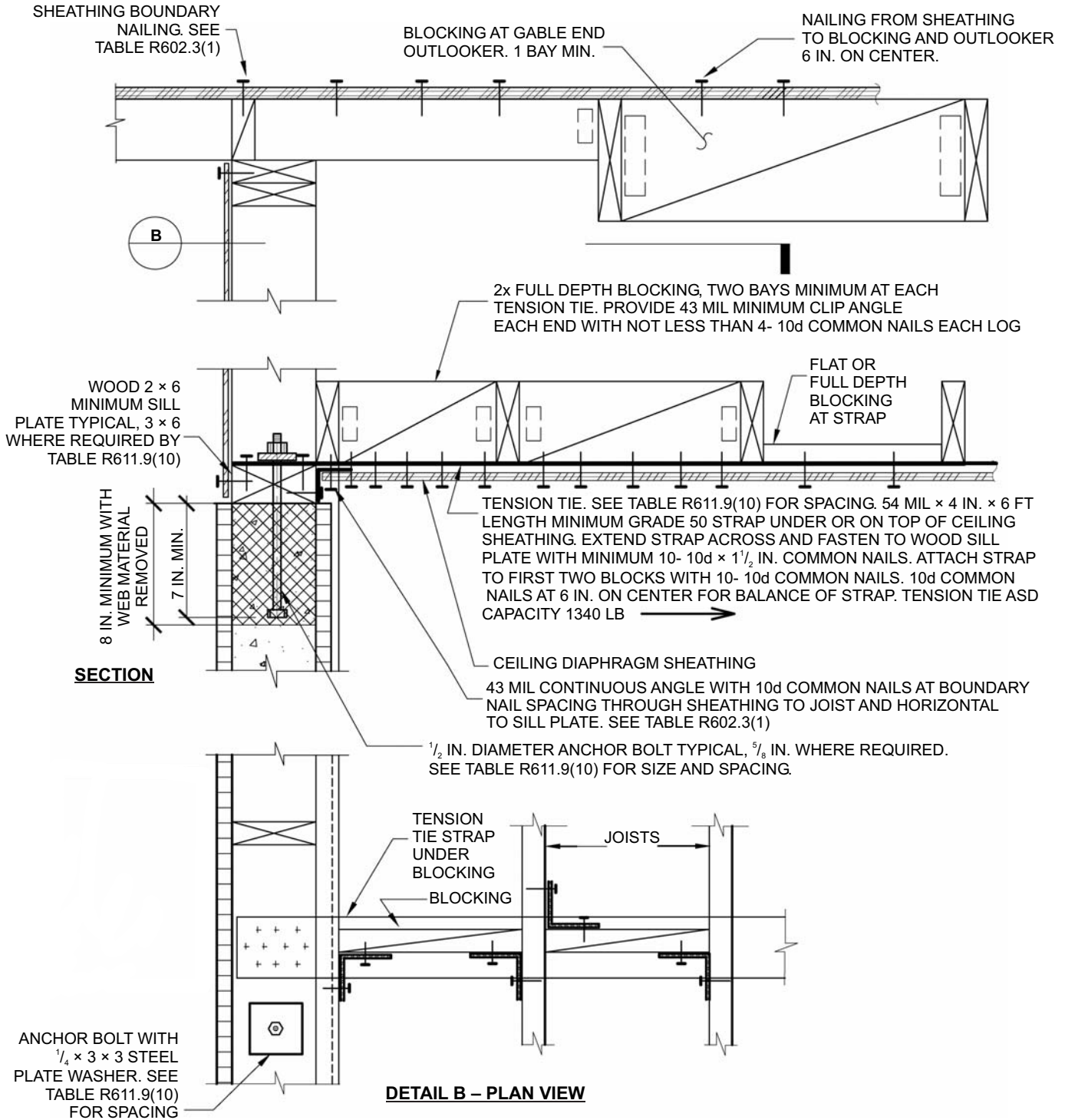
**FIGURE R611.9(9)**  
**WOOD FRAMED ROOF TO TOP OF CONCRETE WALL, FRAMING PERPENDICULAR**

**TABLE R611.9(9)**  
**WOOD FRAMED ROOF TO TOP OF CONCRETE WALL, FRAMING PERPENDICULAR<sup>a, b, c, d, e</sup>**

ANCHOR BOLT SPACING (inches)	TENSION TIE SPACING (inches)	BASIC WIND SPEED (mph) AND WIND EXPOSURE CATEGORY					
		85B	90B	100B	110B	120B	130B
				85C	90C	100C	110C
					85D	90D	100D
12	12						
12	24						
12	36						
12	48						
16	16						6
16	32						6
16	48						
19.2	19.2					6	6 A
19.2	38.4					6	
24	24				6 A	6 A	6 B
24	48						

For SI: 1 inch = 25.4 mm; 1 mph = 0.447 m/s.

- a. This table is for use with the detail in Figure R611.9(9). Use of this detail is permitted where cell a is not shaded, prohibited where shaded.
- b. Wall design per other provisions of Section R611 is required.
- c. For wind design, minimum 4-inch nominal wall is permitted in unshaded cells with no number.
- d. Number 6 indicates minimum permitted nominal wall thickness in inches necessary to develop required strength (capacity) of connection. As a minimum, this nominal thickness shall occur in the portion of the wall indicated by the cross-hatching in Figure R611.9(9). For the remainder of the wall, see Note b.
- e. Letter "A" indicates that a minimum nominal 3 × 6 sill plate is required. Letter "B" indicates that a 5/8 inch diameter anchor bolt and a minimum nominal 3 × 6 sill plate are required.



For SI: 1 mil = 0.0254 mm, 1 inch = 25.4 mm, 1 foot = 304.8 mm, 1 pound-force = 4.448 N.

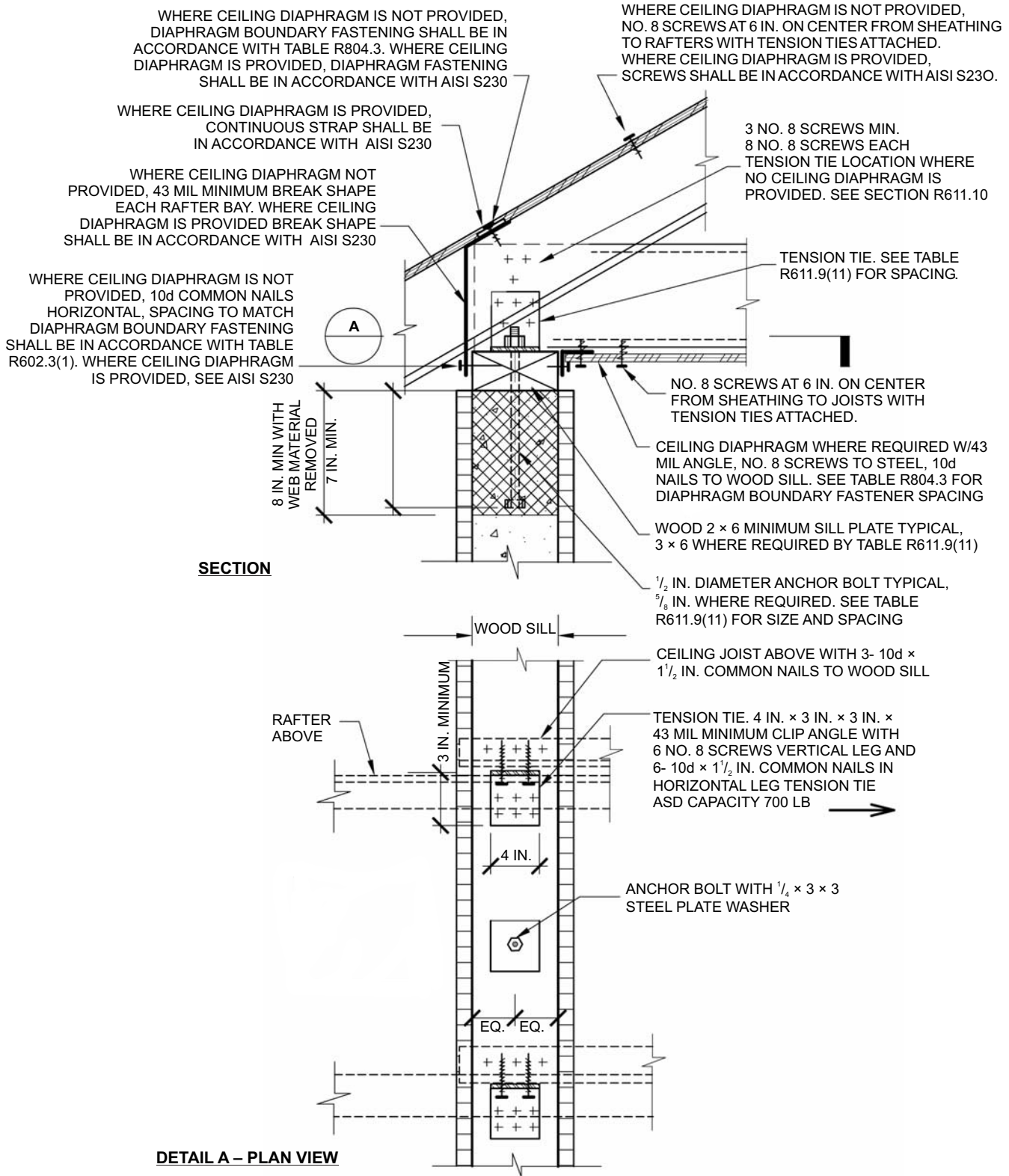
**FIGURE R611.9(10)**  
**WOOD FRAMED ROOF TO TOP OF CONCRETE WALL FRAMING PARALLEL**

**TABLE R611.9(10)**  
**WOOD FRAMED ROOF TO TOP OF CONCRETE WALL, FRAMING PARALLEL<sup>a, b, c, d, e</sup>**

ANCHOR BOLT SPACING (inches)	TENSION TIE SPACING (inches)	BASIC WIND SPEED (mph) AND WIND EXPOSURE CATEGORY					
		85B	90B	100B	110B	120B	130B
				85C	90C	100C	110C
					85D	90D	100D
12	12						
12	24						
12	36						
12	48						
16	16					6	6
16	32					6	6
16	48					6	6
19.2	19.2				6	6	6 A
19.2	38.4				6	6	6 A
24	24			6	6 A	6 A	6 B
24	48			6	6 A	6 B	6 B

For SI: 1 inch = 25.4 mm; 1 mph = 0.447 m/s.

- a. This table is for use with the detail in Figure R611.9(10). Use of this detail is permitted where a cell is not shaded.
- b. Wall design per other provisions of Section R611 is required.
- c. For wind design, minimum 4-inch nominal wall is permitted in cells with no number.
- d. Number 6 indicates minimum permitted nominal wall thickness in inches necessary to develop required strength (capacity) of connection. As a minimum, this nominal thickness shall occur in the portion of the wall indicated by the cross-hatching in Figure R611.9(10). For the remainder of the wall, see Note b.
- e. Letter "A" indicates that a minimum nominal 3 × 6 sill plate is required. Letter "B" indicates that a 5/8 inch diameter anchor bolt and a minimum nominal 3 × 6 sill plate are required.



For SI: 1 mil = 0.0254 mm, 1 inch = 25.4 mm, 1 pound-force = 4.448 N.

**FIGURE R611.9(11)**  
**COLD-FORMED STEEL ROOF TO TOP OF CONCRETE WALL, FRAMING PERPENDICULAR**

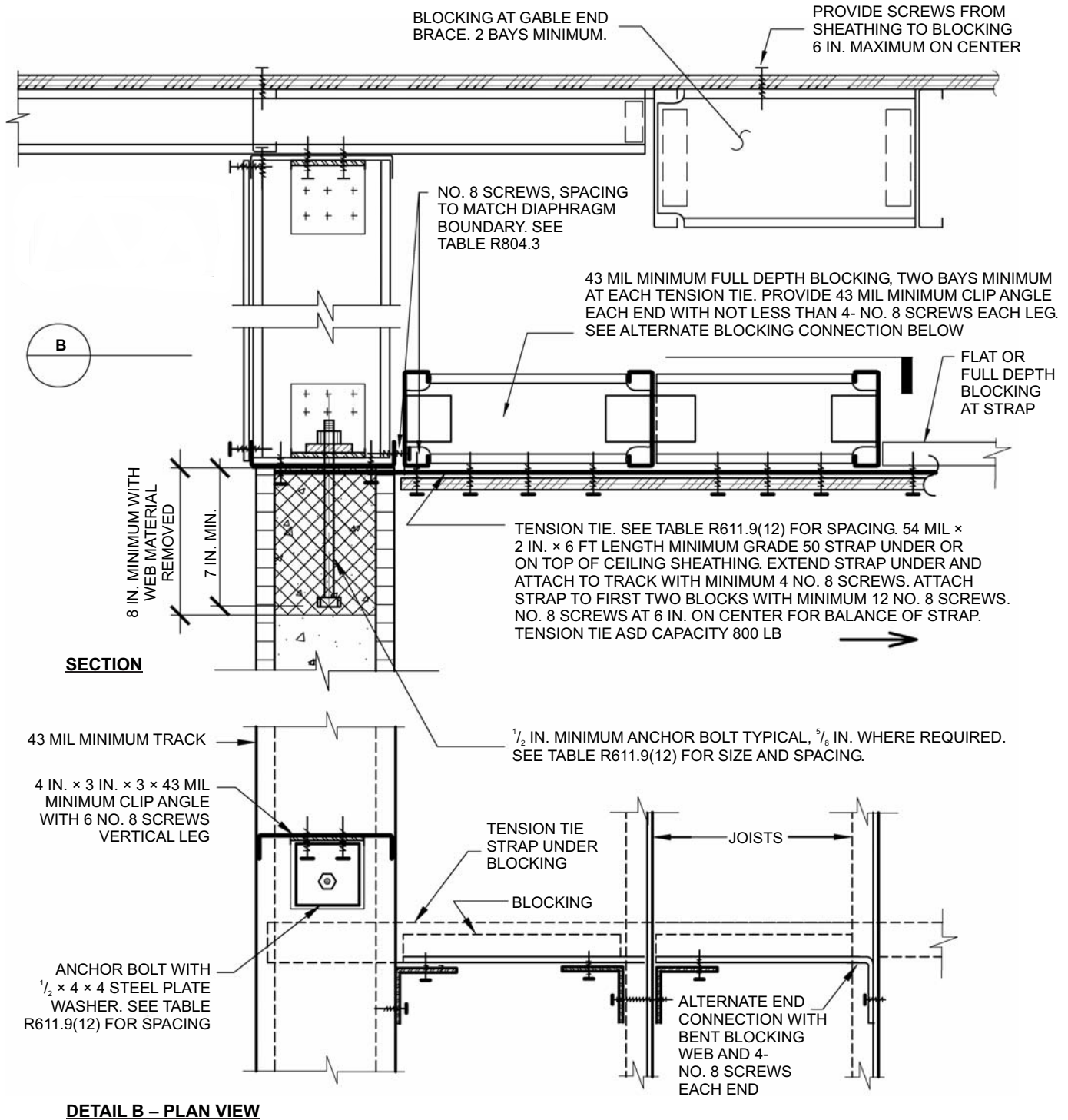
**TABLE R611.9(11)**  
**COLD-FORMED STEEL ROOF TO TOP OF CONCRETE WALL, FRAMING PERPENDICULAR<sup>a, b, c, d, e</sup>**

ANCHOR BOLT SPACING (inches)	TENSION TIE SPACING (inches)	BASIC WIND SPEED (mph) AND WIND EXPOSURE CATEGORY					
		85B	90B	100B	110B	120B	130B
				85C	90C	100C	110C
			85D	90D	100D		
12	12						
12	24						
16	16					6	6
16	32					6	6
19.2	19.2				6	6	8 B
19.2	38.4				6	6	8 B
24	24			6	6	8 B	

For SI: 1 inch = 25.4 mm; 1 mile per hour = 0.447 m/s.

- a. This table is for use with the detail in Figure R611.9(11). Use of this detail is permitted where a cell is not shaded, prohibited where shaded.
- b. Wall design per other provisions of Section R611 is required.
- c. For wind design, minimum 4-inch nominal wall is permitted in unshaded cells with no number.
- d. Numbers 6 and 8 indicate minimum permitted nominal wall thickness in inches necessary to develop required strength (capacity) of connection. As a minimum, this nominal thickness shall occur in the portion of the wall indicated by the cross-hatching in Figure R611.9(11). For the remainder of the wall, see Note b.
- e. Letter "B" indicates that a  $\frac{5}{8}$  inch diameter anchor bolt and a minimum nominal 3 × 6 sill plate are required.





For SI: 1 mil = 0.254 mm, 1 inch = 25.4 mm, 1 foot = 304.8 mm, 1 pound-force = 4.448 N.

**FIGURE R611.9(12)**  
**COLD-FORMED STEEL ROOF TO TOP OF CONCRETE WALL, FRAMING PARALLEL**

**TABLE R611.9(12)**  
**COLD-FORMED STEEL ROOF TO TOP OF CONCRETE WALL, FRAMING PARALLEL** <sup>a, b, c, d, e</sup>

ANCHOR BOLT SPACING (inches)	TENSION TIE SPACING (inches)	BASIC WIND SPEED (mph) AND WIND EXPOSURE CATEGORY					
		85B	90B	100B	110B	120B	130B
				85C	90C	100C	110C
				85D	90D	100D	
12	12						
12	24						
16	16						
16	32						
19.2	19.2					6	6
19.2	38.4					6	6
24	24			6	6	8 B	8 B

For SI: 1 inch = 25.4 mm; 1 mile per hour = 0.447 m/s.

- a. This table is for use with the detail in Figure R611.9(12). Use of this detail is permitted where a cell is not shaded.
- b. Wall design per other provisions of Section R611 is required.
- c. For wind design, minimum 4-inch nominal wall is permitted in cells with no number.
- d. Numbers 6 and 8 indicate minimum permitted nominal wall thickness in inches necessary to develop required strength (capacity) of connection. As a minimum, this nominal thickness shall occur in the portion of the wall indicated by the cross-hatching in Figure R611.9(12). For the remainder of the wall, see Note b.
- e. Letter "B" indicates that a  $\frac{5}{8}$  inch diameter anchor bolt is required.

## SECTION R612 EXTERIOR WINDOWS AND DOORS

**R612.1 General.** This section prescribes performance and construction requirements for exterior windows and doors installed in walls. Windows and doors shall be installed and flashed in accordance with the fenestration manufacturer's written installation instructions. Window and door openings shall be flashed in accordance with Section R703.8. Written installation instructions shall be provided by the fenestration manufacturer for each window or door.

**R612.2 Window sills.** In dwelling units, where the opening of an operable window is located more than 72 inches (1829 mm) above the finished grade or surface below, the lowest part of the clear opening of the window shall be a minimum of 18 inches (457 mm) above the finished floor of the room in which the window is located. Operable sections of windows shall not permit openings that allow passage of a 4-inch-diameter (102 mm) sphere where such openings are located within 18 inches (457 mm) of the finished floor.

### Exceptions:

1. Windows whose openings will not allow a 4-inch-diameter (102 mm) sphere to pass through the opening when the opening is in its largest opened position.
2. Openings that are provided with window fall prevention devices that comply with Section R612.3.
3. Openings that are provided with fall protection devices that comply with ASTM F 2090.
4. Windows that are provided with opening limiting devices that comply with Section R612.4.

**R612.3 Window fall prevention devices.** Window fall prevention devices and window guards, where provided, shall comply with the requirements of ASTM F 2090.

**R612.4 Window opening limiting devices.** When required elsewhere in this code, window opening limiting devices shall comply with the provisions of this section.

**R612.4.1 General requirements.** Window opening limiting devices shall be self acting and shall be positioned to prohibit the free passage of a 4-in. (102-mm) diameter rigid sphere through the window opening when the window opening limiting device is installed in accordance with the manufacturer's instructions.

**R612.4.2 Operation for emergency escape.** Window opening limiting devices shall be designed with release mechanisms to allow for emergency escape through the window opening without the need for keys, tools or special knowledge. Window opening limiting devices shall comply with all of the following:

1. Release of the window opening-limiting device shall require no more than 15 pounds (66 N) of force.
2. The window opening limiting device release mechanism shall operate properly in all types of weather.
3. Window opening limiting devices shall have their release mechanisms clearly identified for proper use in an emergency.

4. The window opening limiting device shall not reduce the minimum net clear opening area of the window unit below what is required by Section R310.1.1 of the code.

**R612.5 Performance.** Exterior windows and doors shall be designed to resist the design wind loads specified in Table R301.2(2) adjusted for height and exposure per Table R301.2(3).

**R612.6 Testing and labeling.** Exterior windows and sliding doors shall be tested by an *approved* independent laboratory, and bear a *label* identifying manufacturer, performance characteristics and *approved* inspection agency to indicate compliance with AAMA/WDMA/CSA 101/I.S.2/A440. Exterior side-hinged doors shall be tested and *labeled* as conforming to AAMA/WDMA/CSA 101/I.S.2/A440 or comply with Section R612.8.

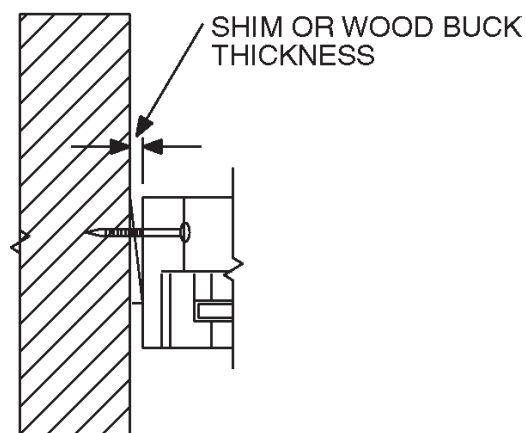
**Exception:** Decorative glazed openings.

**R612.6.1 Comparative analysis.** Structural wind load design pressures for window and door units smaller than the size tested in accordance with Section R612.6 shall be permitted to be higher than the design value of the tested unit provided such higher pressures are determined by accepted engineering analysis. All components of the small unit shall be the same as those of the tested unit. Where such calculated design pressures are used, they shall be validated by an additional test of the window or door unit having the highest allowable design pressure.

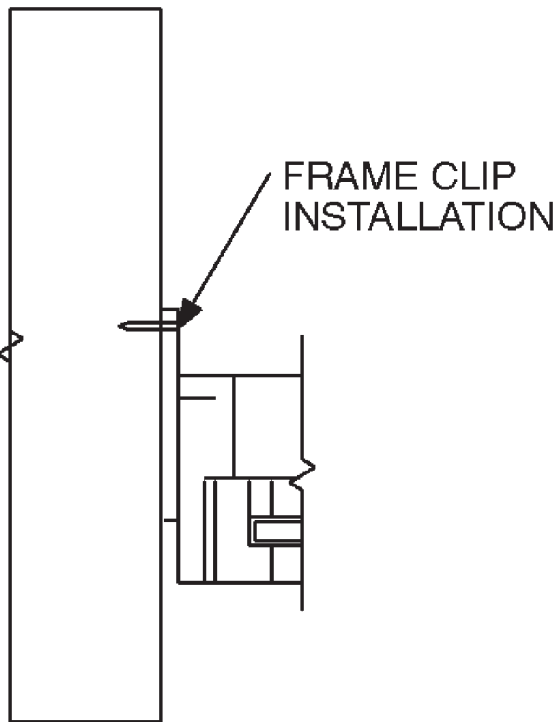
**R612.7 Vehicular access doors.** Vehicular access doors shall be tested in accordance with either ASTM E 330 or ANSI/DASMA 108, and shall meet the acceptance criteria of ANSI/DASMA 108.

**R612.8 Other exterior window and door assemblies.** Exterior windows and door assemblies not included within the scope of Section R612.6 or Section R612.7 shall be tested in accordance with ASTM E 330. Glass in assemblies covered by this exception shall comply with Section R308.5.

**R612.9 Wind-borne debris protection.** Protection of exterior windows and glass doors in buildings located in wind-borne debris regions shall be in accordance with Section R301.2.1.2.

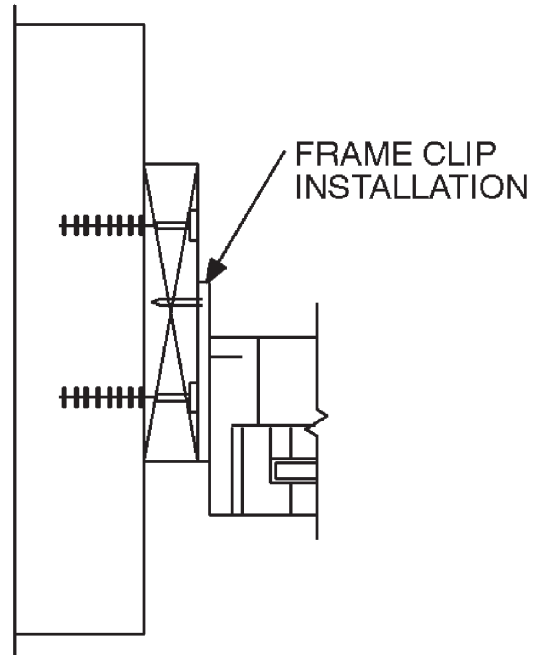


**FIGURE R612.8(1)  
THROUGH THE FRAME**



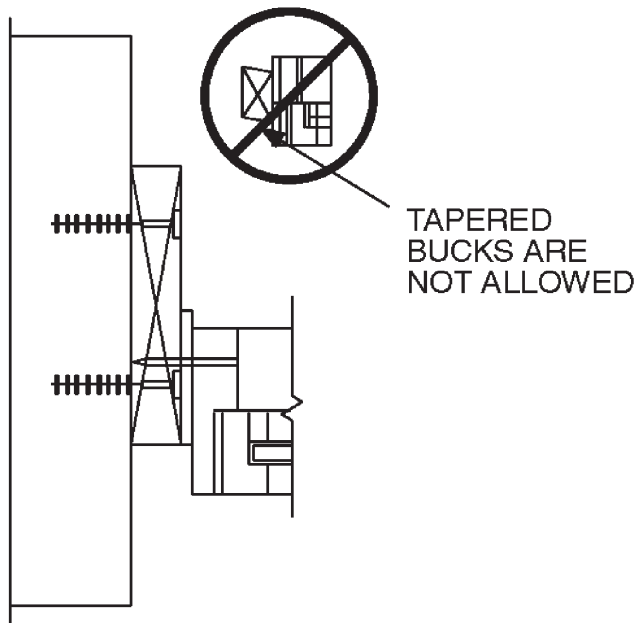
APPLY FRAME CLIP TO WINDOW OR DOOR IN ACCORDANCE WITH PUBLISHED MANUFACTURER'S RECOMMENDATIONS.

**FIGURE R612.8(2)  
FRAME CLIP**



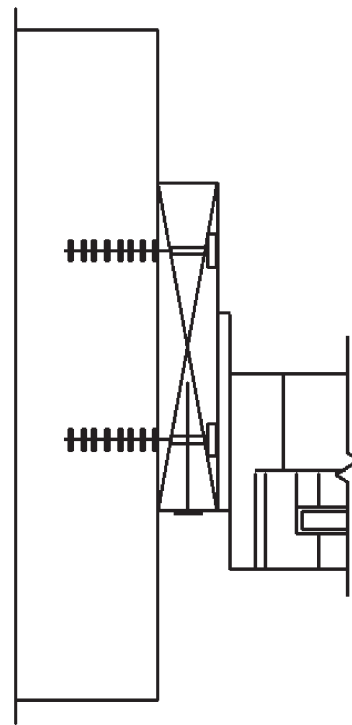
APPLY FRAME CLIP TO WINDOW OR DOOR FRAME IN ACCORDANCE WITH PUBLISHED MANUFACTURER'S RECOMMENDATIONS. ANCHORS SHALL BE PROVIDED TO TRANSFER LOAD FROM THE FRAME CLIP INTO THE ROUGH OPENING SUBSTRATE.

**FIGURE R612.8(4)  
FRAME CLIP**



THROUGH THE FRAME ANCHORING METHOD. ANCHORS SHALL BE PROVIDED TO TRANSFER LOAD FROM THE WINDOW OR DOOR FRAME INTO THE ROUGH OPENING SUBSTRATE.

**FIGURE R612.8(3)  
THROUGH THE FRAME**



APPLY ANCHORS THROUGH FLANGE IN ACCORDANCE WITH PUBLISHED MANUFACTURER'S RECOMMENDATIONS.

**FIGURE R612.8(5)  
THROUGH THE FLANGE**

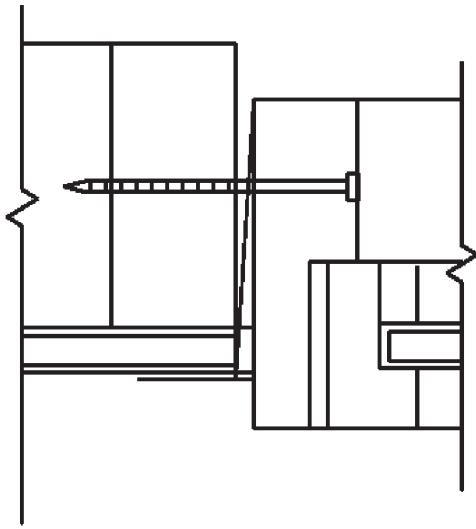


FIGURE R612.8(6)  
THROUGH THE FLANGE

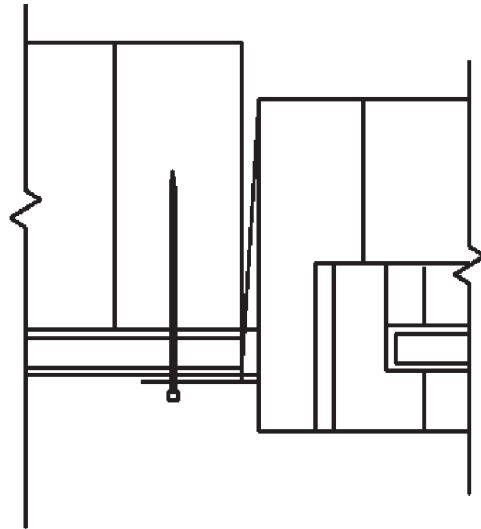


FIGURE R612.8(8)  
THROUGH THE FLANGE

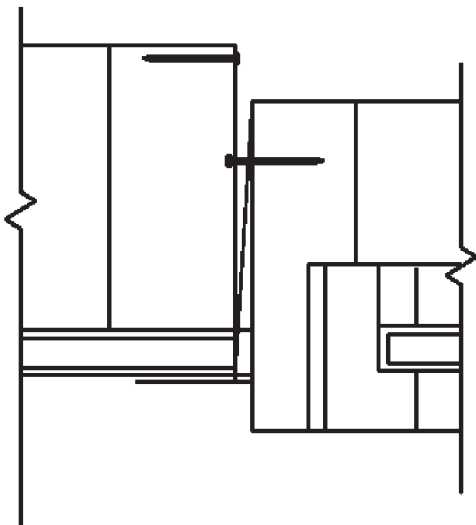


FIGURE R612.8(7)  
FRAME CLIP

**R612.9.1 Fenestration testing and labeling.** Fenestration shall be tested by an *approved* independent laboratory, listed by an *approved* entity, and bear a *label* identifying manufacturer, performance characteristics, and *approved* inspection agency to indicate compliance with the requirements of the following specification:

1. ASTM E 1886 and ASTM E 1996; or
2. AAMA 506.

**R612.10 Anchorage methods.** The methods cited in this section apply only to anchorage of window and glass door assemblies to the main force-resisting system.

**R612.10.1 Anchoring requirements.** Window and glass door assemblies shall be anchored in accordance with the published manufacturer's recommendations to achieve the

design pressure specified. Substitute anchoring systems used for substrates not specified by the fenestration manufacturer shall provide equal or greater anchoring performance as demonstrated by accepted engineering practice.

**R612.10.2 Anchorage details.** Products shall be anchored in accordance with the minimum requirements illustrated in Figures R612.8(1), R612.8(2), R612.8(3), R612.8(4), R612.8(5), R612.8(6), R612.8(7) and R612.8(8).

**R612.10.2.1 Masonry, concrete or other structural substrate.** Where the wood shim or buck thickness is less than 1½ inches (38 mm), window and glass door assemblies shall be anchored through the jamb, or by jamb clip and anchors shall be embedded directly into the masonry, concrete or other substantial substrate material. Anchors shall adequately transfer load from the window or door frame into the rough opening substrate [see Figures R612.8(1) and R612.8(2).]

Where the wood shim or buck thickness is 1½ inches (38 mm) or more, the buck is securely fastened to the masonry, concrete or other substantial substrate, and the buck extends beyond the interior face of the window or door frame, window and glass door assemblies shall be anchored through the jamb, or by jamb clip, or through the flange to the secured wood buck. Anchors shall be embedded into the secured wood buck to adequately transfer load from the window or door frame assembly [Figures R612.8(3), R612.8(4) and R612.8(5)].

**R612.10.2.2 Wood or other approved framing material.** Where the framing material is wood or other *approved* framing material, window and glass door assemblies shall be anchored through the frame, or by frame clip, or through the flange. Anchors shall be embedded into the frame construction to adequately transfer load [Figures R612.8(6), R612.8(7) and R612.8(8)].

**R612.11 Mullions.** Mullions shall be tested by an *approved* testing laboratory in accordance with AAMA 450, or be engineered

in accordance with accepted engineering practice. Mullions tested as stand-alone units or qualified by engineering shall use performance criteria cited in Sections R612.11.1, R612.11.2 and R612.11.3. Mullions qualified by an actual test of an entire assembly shall comply with Sections R612.11.1 and R612.11.3.

**R612.11.1 Load transfer.** Mullions shall be designed to transfer the design pressure loads applied by the window and door assemblies to the rough opening substrate.

**R612.11.2 Deflection.** Mullions shall be capable of resisting the design pressure loads applied by the window and door assemblies to be supported without deflecting more than  $L/175$ , where  $L$  is the span of the mullion in inches.

**R612.11.3 Structural safety factor.** Mullions shall be capable of resisting a load of 1.5 times the design pressure loads applied by the window and door assemblies to be supported without exceeding the appropriate material stress levels. If tested by an *approved* laboratory, the 1.5 times the design pressure load shall be sustained for 10 seconds, and the permanent deformation shall not exceed 0.4 percent of the mullion span after the 1.5 times design pressure load is removed.

### SECTION R613 STRUCTURAL INSULATED PANEL WALL CONSTRUCTION

**R613.1 General.** Structural insulated panel (SIP) walls shall be designed in accordance with the provisions of this section. When the provisions of this section are used to design structural insulated panel walls, project drawings, typical details and specifications are not required to bear the seal of the architect or engineer responsible for design, unless otherwise required by the state law of the *jurisdiction* having authority.

**R613.2 Applicability limits.** The provisions of this section shall control the construction of exterior structural insulated panel walls and interior load-bearing structural insulated panel walls for buildings not greater than 60 feet (18 288 mm) in length perpendicular to the joist or truss span, not greater than 40 feet (12 192 mm) in width parallel to the joist or truss span and not greater than two stories in height with each wall not

greater than 10 feet (3048 mm) high. All exterior walls installed in accordance with the provisions of this section shall be considered as load-bearing walls. Structural insulated panel walls constructed in accordance with the provisions of this section shall be limited to sites subjected to a maximum design wind speed of 130 miles per hour (58 m/s), Exposure A, B or C, and a maximum ground snow load of 70 pounds per foot (3.35 kPa), and Seismic Design Categories A, B, and C.

**R613.3 Materials.** SIPs shall comply with the following criteria:

**R613.3.1 Core.** The core material shall be composed of foam plastic insulation meeting one of the following requirements:

1. ASTM C 578 and have a minimum density of 0.90 pounds per cubic foot (14.4 kg/m<sup>3</sup>); or
2. Polyurethane meeting the physical properties shown in Table R613.3.1, or;
3. An *approved* alternative.

All cores shall meet the requirements of Section R316.

**R613.3.2 Facing.** Facing materials for SIPs shall be wood structural panels conforming to DOC PS 1 or DOC PS 2, each having a minimum nominal thickness of  $7/16$  inch (11 mm) and shall meet the additional minimum properties specified in Table R613.3.2. Facing shall be identified by a grade mark or certificate of inspection issued by an *approved* agency.

**R613.3.3 Adhesive.** Adhesives used to structurally laminate the foam plastic insulation core material to the structural wood facers shall conform to ASTM D 2559 or *approved* alternative specifically intended for use as an adhesive used in the lamination of structural insulated panels. Each container of adhesive shall bear a *label* with the adhesive manufacturer's name, adhesive name and type and the name of the quality assurance agency.

**R613.3.4 Lumber.** The minimum lumber framing material used for SIPs prescribed in this document is NLGA graded No. 2 Spruce-pine-fir. Substitution of other wood species/grades that meet or exceed the mechanical properties and specific gravity of No. 2 Spruce-pine-fir shall be permitted.

TABLE R613.3.1  
MINIMUM PROPERTIES FOR POLYURETHANE INSULATION USED AS SIPS CORE

PHYSICAL PROPERTY	POLYURETHANE
Density, core nominal. (ASTM D 1622)	2.2 lb/ft <sup>3</sup>
Compressive resistance at yield or 10% deformation, whichever occurs first. (ASTM D 1621)	19 psi (perpendicular to rise)
Flexural strength, min. (ASTM C 203)	30 psi
Tensile strength, min. (ASTM D 1623)	35 psi
Shear strength, min. (ASTM C 273)	25 psi
Substrate adhesion, min. (ASTM D 1623)	22 psi
Water vapor permeance of 1.00-in. thickness, max. (ASTM E 96)	2.3 perm
Water absorption by total immersion, max. (ASTM C 272)	4.3% (volume)
Dimensional stability (change in dimensions), max. [ASTM D2126 (7 days at 158°F/100% humidity and 7 days at -20°F)]	2%

For SI: 1 pound per cubic foot = 16.02 kg/m<sup>3</sup>, 1 pound per square inch = 6.895 kPa, °C = [(°F) - 32]/1.8.



**TABLE R613.3.2**  
**MINIMUM PROPERTIES<sup>a</sup> FOR WOOD STRUCTURAL PANEL FACING MATERIAL USED IN SIP WALLS**

THICKNESS (inch)	PRODUCT	FLATWISE STIFFNESS <sup>b</sup> (lbf-in <sup>2</sup> /ft)		FLATWISE STRENGTH <sup>c</sup> (lbf-in/ft)		TENSION <sup>c</sup> (lbf/ft)		DENSITY <sup>b, d</sup> (pcf)
		Along	Across	Along	Across	Along	Across	
7/16	Sheathing	54,700	27,100	950	870	6,800	6,500	35

For SI: 1 inch = 25.4 mm, 1 lbf-in<sup>2</sup>/ft = 9.415 × 10<sup>-6</sup> kPa/m, 1 lbf-in/ft = 3.707 × 10<sup>-4</sup> kN/m, 1 lbf/ft = 0.0146 N/mm, 1 pound per cubic foot = 16.018 kg/m<sup>3</sup>.

a. Values listed in Table R613.3.2 are qualification test values and are not to be used for design purposes.

b. Mean test value shall be in accordance with Section 7.6 of DOC PS 2.

c. Characteristic test value (5th percent with 75% confidence).

d. Density shall be based on oven-dry weight and oven-dry volume.

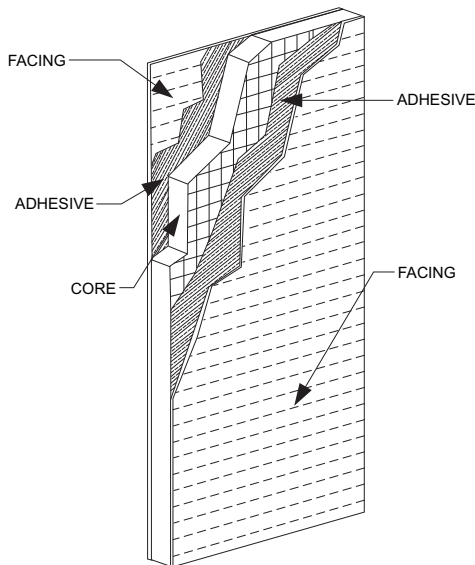
**R613.3.5 SIP screws.** Screws used for the erection of SIPs as specified in Section R613.5 shall be fabricated from steel, shall be provided by the SIPs manufacturer and shall be sized to penetrate the wood member to which the assembly is being attached by a minimum of 1 inch (25 mm). The screws shall be corrosion resistant and have a minimum shank diameter of 0.188 inch (4.7 mm) and a minimum head diameter of 0.620 inch (15.5 mm).

**R613.3.6 Nails.** Nails specified in Section R613 shall be common or galvanized box unless otherwise stated.

**R613.4 SIP wall panels.** SIPs shall comply with Figure R613.4 and shall have minimum panel thickness in accordance with Tables R613.5(1) and R613.5(2) for above-grade walls. All SIPs shall be identified by grade mark or certificate of inspection issued by an *approved* agency.

**R613.4.1 Labeling.** All panels shall be identified by grade mark or certificate of inspection issued by an *approved* agency. Each (SIP) shall bear a stamp or *label* with the following minimum information:

1. Manufacturer name/logo.
2. Identification of the assembly.
3. Quality assurance agency.



**FIGURE R613.4**  
**SIP WALL PANEL**

**R613.5 Wall construction.** Exterior walls of SIP construction shall be designed and constructed in accordance with the provisions of this section and Tables R613.5(1) and R613.5(2) and Figures R613.5(1) through R613.5(5). SIP walls shall be fastened to other wood building components in accordance with Tables R602.3(1) through R602.3(4).

Framing shall be attached in accordance with Table R602.3(1) unless otherwise provided for in Section R613.

**R613.5.1 Top plate connection.** SIP walls shall be capped with a double top plate installed to provide overlapping at corner, intersections and splines in accordance with Figure R613.5.1. The double top plates shall be made up of a single 2 by top plate having a width equal to the width of the panel core, and shall be recessed into the SIP below. Over this top plate a cap plate shall be placed. The cap plate width shall match the SIP thickness and overlap the facers on both sides of the panel. End joints in top plates shall be offset at least 24 inches (610 mm).

**R613.5.2 Bottom (sole) plate connection.** SIP walls shall have full bearing on a sole plate having a width equal to the nominal width of the foam core. When SIP walls are supported directly on continuous foundations, the wall sill plate shall be anchored to the foundation in accordance with Figure R613.5.2 and Section R403.1.

**R613.5.3 Wall bracing.** SIP walls shall be braced in accordance with Section R602.10. SIP walls shall be considered continuous wood structural panel sheathing for purposes of computing required bracing. SIP walls shall meet the requirements of Section R602.10.4 except that SIPs corners shall be fabricated as shown in Figure R613.9. When SIP walls are used for wall bracing, the SIP bottom plate shall be attached to wood framing below in accordance with Table R602.3(1).

**R613.6 Interior load-bearing walls.** Interior load-bearing walls shall be constructed as specified for exterior walls.

**R613.7 Drilling and notching.** The maximum vertical chase penetration in SIPs shall have a maximum side dimension of 2 inches (51 mm) centered in the panel core. Vertical chases shall have a minimum spacing of 24-inches (610 mm) on center. Maximum of two horizontal chases shall be permitted in each wall panel, one at 14 inches (360 mm) from the bottom of the panel and one at mid-height of the wall panel. The maximum allowable penetration size in a wall panel shall be circular or rectangular with a maximum dimension of 12 inches (305 mm). Overcutting of holes in facing panels shall not be permitted.

**TABLE R613.5(1)**  
**MINIMUM THICKNESS FOR SIP WALL SUPPORTING SIP LIGHT-FRAME ROOF ONLY (inches)**

WIND SPEED (3-second gust)		SNOW LOAD (psf)	BUILDING WIDTH (feet)															
			24			28			32			36			40			
Exp. A/B	Exp. C		Wall Height (ft)			Wall Height (ft)			Wall Height (ft)			Wall Height (ft)			Wall Height (ft)			
		8	9	10	8	9	10	8	9	10	8	9	10	8	9	10		
85	—	20	4.5	4.5	4.5	4.5	4.5	4.5	4.5	4.5	4.5	4.5	4.5	4.5	4.5	4.5	4.5	
		30	4.5	4.5	4.5	4.5	4.5	4.5	4.5	4.5	4.5	4.5	4.5	4.5	4.5	4.5	4.5	4.5
		50	4.5	4.5	4.5	4.5	4.5	4.5	4.5	4.5	4.5	4.5	4.5	4.5	4.5	4.5	4.5	4.5
		70	4.5	4.5	4.5	4.5	4.5	4.5	4.5	4.5	4.5	4.5	4.5	4.5	4.5	4.5	4.5	4.5
100	85	20	4.5	4.5	4.5	4.5	4.5	4.5	4.5	4.5	4.5	4.5	4.5	4.5	4.5	4.5	4.5	
		30	4.5	4.5	4.5	4.5	4.5	4.5	4.5	4.5	4.5	4.5	4.5	4.5	4.5	4.5	4.5	4.5
		50	4.5	4.5	4.5	4.5	4.5	4.5	4.5	4.5	4.5	4.5	4.5	4.5	4.5	4.5	4.5	4.5
		70	4.5	4.5	4.5	4.5	4.5	4.5	4.5	4.5	4.5	4.5	4.5	4.5	4.5	4.5	4.5	4.5
110	100	20	4.5	4.5	4.5	4.5	4.5	4.5	4.5	4.5	4.5	4.5	4.5	4.5	4.5	4.5	4.5	
		30	4.5	4.5	4.5	4.5	4.5	4.5	4.5	4.5	4.5	4.5	4.5	4.5	4.5	4.5	4.5	4.5
		50	4.5	4.5	4.5	4.5	4.5	4.5	4.5	4.5	4.5	4.5	4.5	4.5	4.5	4.5	4.5	4.5
		70	4.5	4.5	4.5	4.5	4.5	4.5	4.5	4.5	4.5	4.5	4.5	4.5	4.5	4.5	4.5	4.5
120	110	20	4.5	4.5	4.5	4.5	4.5	4.5	4.5	4.5	4.5	4.5	4.5	4.5	4.5	4.5	4.5	
		30	4.5	4.5	4.5	4.5	4.5	4.5	4.5	4.5	4.5	4.5	4.5	4.5	4.5	4.5	4.5	4.5
		50	4.5	4.5	4.5	4.5	4.5	4.5	4.5	4.5	4.5	4.5	4.5	4.5	4.5	4.5	4.5	4.5
		70	4.5	4.5	4.5	4.5	4.5	4.5	4.5	4.5	4.5	4.5	4.5	4.5	6.5	4.5	4.5	6.5
130	120	20	4.5	4.5	4.5	4.5	4.5	4.5	4.5	4.5	4.5	4.5	4.5	4.5	4.5	4.5	4.5	
		30	4.5	4.5	4.5	4.5	4.5	4.5	4.5	4.5	4.5	4.5	4.5	4.5	4.5	4.5	4.5	4.5
		50	4.5	4.5	4.5	4.5	4.5	4.5	4.5	4.5	6.5	4.5	4.5	6.5	4.5	4.5	6.5	
		70	4.5	4.5	4.5	4.5	4.5	6.5	4.5	4.5	6.5	4.5	6.5	N/A	4.5	6.5	N/A	
—	130	20	4.5	4.5	6.5	4.5	4.5	N/A	4.5	4.5	N/A	4.5	4.5	N/A	4.5	6.5	N/A	
		30	4.5	4.5	N/A	4.5	4.5	N/A	4.5	4.5	N/A	4.5	6.5	N/A	4.5	6.5	N/A	
		50	4.5	6.5	N/A	4.5	6.5	N/A	4.5	N/A	N/A	6.5	N/A	N/A	6.5	N/A	N/A	
		70	4.5	N/A	N/A	6.5	N/A	N/A	6.5	N/A	N/A	N/A	N/A	N/A	N/A	N/A	N/A	

For SI: 1 inch = 25.4 mm; 1 foot = 304.8 mm; 1 pound per square foot = 0.0479kPa.

Maximum deflection criterion:  $L/240$ .

Maximum roof dead load: 10 psf.

Maximum roof live load: 70 psf.

Maximum ceiling dead load: 5 psf.

Maximum ceiling live load: 20 psf.

Wind loads based on Table R301.2 (2).

N/A indicates not applicable.



**WALL CONSTRUCTION**

**TABLE R613.5(2)**  
**MINIMUM THICKNESS FOR SIP WALLS SUPPORTING SIP OR LIGHT-FRAME ONE STORY AND ROOF (inches)**

WIND SPEED (3-second gust)		SNOW LOAD (psf)	BUILDING WIDTH (feet)														
			24			28			32			36			40		
Exp. A/B	Exp. C		Wall Height (feet)			Wall Height (feet)			Wall Height (feet)			Wall Height (feet)			Wall Height (feet)		
		8	9	10	8	9	10	8	9	10	8	9	10	8	9	10	
85	—	20	4.5	4.5	4.5	4.5	4.5	4.5	4.5	4.5	4.5	4.5	4.5	4.5	4.5	4.5	4.5
		30	4.5	4.5	4.5	4.5	4.5	4.5	4.5	4.5	4.5	4.5	4.5	4.5	4.5	4.5	4.5
		50	4.5	4.5	4.5	4.5	4.5	4.5	4.5	4.5	4.5	4.5	4.5	4.5	4.5	4.5	4.5
		70	4.5	4.5	4.5	4.5	4.5	4.5	4.5	4.5	4.5	4.5	4.5	6.5	6.5	6.5	6.5
100	85	20	4.5	4.5	4.5	4.5	4.5	4.5	4.5	4.5	4.5	4.5	4.5	4.5	4.5	4.5	4.5
		30	4.5	4.5	4.5	4.5	4.5	4.5	4.5	4.5	4.5	4.5	4.5	4.5	4.5	4.5	6.5
		50	4.5	4.5	4.5	4.5	4.5	4.5	4.5	4.5	4.5	4.5	4.5	6.5	4.5	6.5	6.5
		70	4.5	4.5	4.5	4.5	4.5	4.5	4.5	4.5	6.5	6.5	6.5	6.5	6.5	N/A	N/A
110	100	20	4.5	4.5	4.5	4.5	4.5	4.5	4.5	4.5	4.5	4.5	4.5	4.5	4.5	4.5	6.5
		30	4.5	4.5	4.5	4.5	4.5	4.5	4.5	4.5	4.5	4.5	4.5	6.5	4.5	6.5	6.5
		50	4.5	4.5	4.5	4.5	4.5	4.5	4.5	4.5	6.5	4.5	6.5	6.5	6.5	6.5	N/A
		70	4.5	4.5	4.5	4.5	4.5	6.5	6.5	6.5	N/A	6.5	N/A	N/A	N/A	N/A	N/A
120	110	20	4.5	4.5	4.5	4.5	4.5	4.5	4.5	4.5	6.5	4.5	4.5	6.5	4.5	6.5	N/A
		30	4.5	4.5	4.5	4.5	4.5	6.5	4.5	4.5	6.5	4.5	6.5	N/A	6.5	6.5	N/A
		50	4.5	4.5	6.5	4.5	4.5	6.5	4.5	6.5	N/A	6.5	N/A	N/A	N/A	N/A	N/A
		70	4.5	4.5	6.5	4.5	6.5	N/A	6.5	N/A	N/A	N/A	N/A	N/A	N/A	N/A	N/A
130	120	20	4.5	4.5	6.5	4.5	4.5	6.5	4.5	6.5	N/A	4.5	6.5	N/A	6.5	N/A	N/A
		30	4.5	4.5	6.5	4.5	4.5	N/A	4.5	6.5	N/A	6.5	N/A	N/A	6.5	N/A	N/A
		50	4.5	6.5	N/A	4.5	6.5	N/A	6.5	N/A	N/A	N/A	N/A	N/A	N/A	N/A	N/A
		70	4.5	6.5	N/A	6.5	N/A	N/A	N/A	N/A	N/A	N/A	N/A	N/A	N/A	N/A	N/A
—	130	20	6.5	N/A	N/A	6.5	N/A	N/A	N/A	N/A	N/A	N/A	N/A	N/A	N/A	N/A	N/A
		30	6.5	N/A	N/A	N/A	N/A	N/A	N/A	N/A	N/A	N/A	N/A	N/A	N/A	N/A	N/A
		50	N/A	N/A	N/A	N/A	N/A	N/A	N/A	N/A	N/A	N/A	N/A	N/A	N/A	N/A	N/A
		70	N/A	N/A	N/A	N/A	N/A	N/A	N/A	N/A	N/A	N/A	N/A	N/A	N/A	N/A	N/A

For SI: 1 inch = 25.4 mm; 1 foot = 304.8 mm; 1 pound per square foot = 0.0479kPa.

Maximum deflection criterion:  $L/240$ .

Maximum roof dead load: 10 psf.

Maximum roof live load: 70 psf.

Maximum ceiling dead load: 5 psf.

Maximum ceiling live load: 20 psf.

Maximum second floor live load: 30 psf.

Maximum second floor dead load: 10 psf.

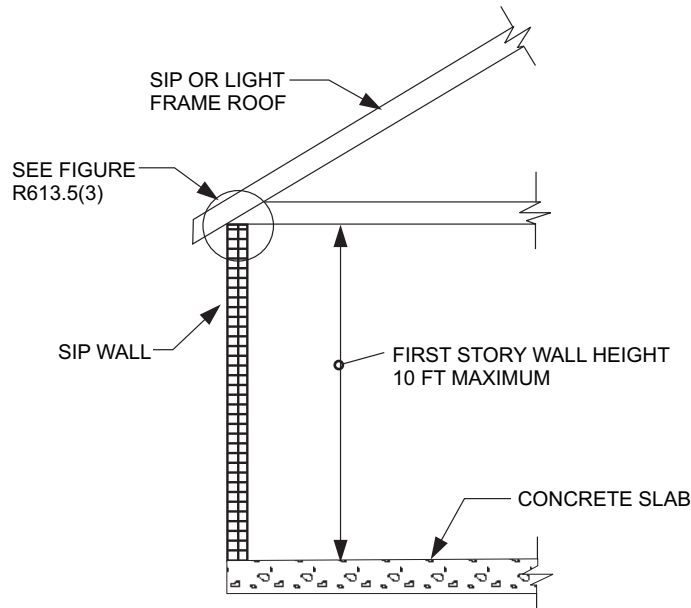
Maximum second floor dead load from walls: 10 psf.

Maximum first floor live load: 40 psf.

Maximum first floor dead load: 10 psf.

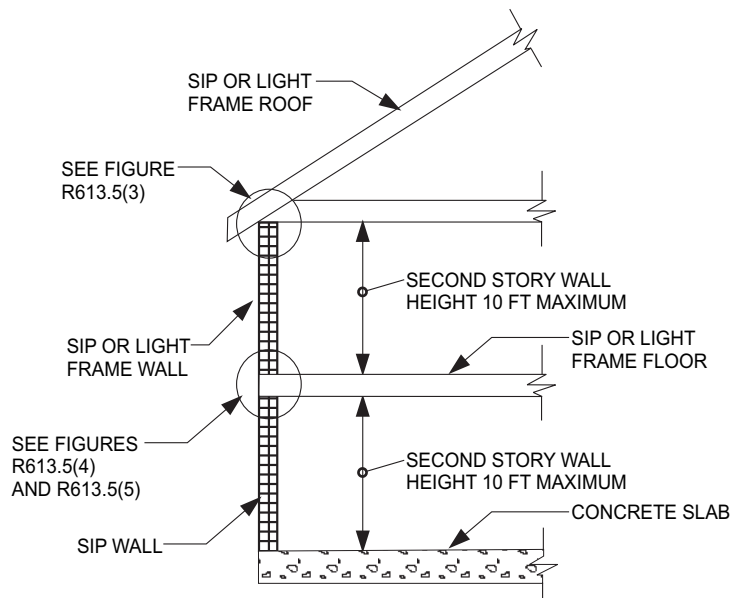
Wind loads based on Table R301.2 (2).

N/A indicates not applicable.



For SI: 1 foot = 304.8 mm.

**FIGURE R613.5(1)**  
**MAXIMUM ALLOWABLE HEIGHT OF SIP WALLS**



For SI: 1 foot = 304.8 mm.

**FIGURE R613.5(2)**  
**MAXIMUM ALLOWABLE HEIGHT OF SIP WALLS**

**R613.8 Connection.** SIPs shall be connected at vertical in-plane joints in accordance with Figure R613.8 or by other *approved* methods.

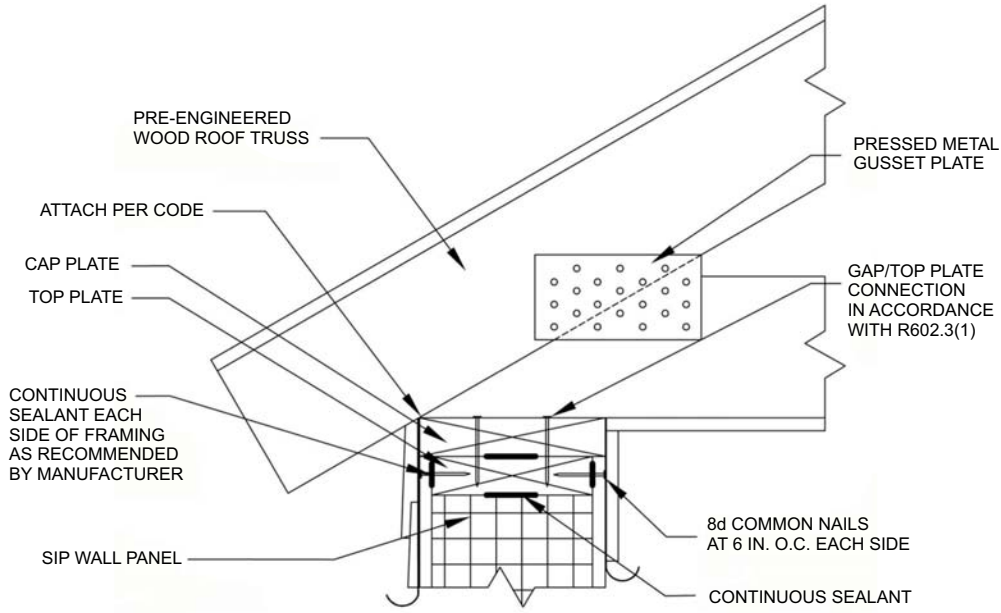
**R613.9 Corner framing.** Corner framing of SIP walls shall be constructed in accordance with Figure R613.9.

**R613.10 Headers.** SIP headers shall be designed and constructed in accordance with Table R613.10 and Figure R613.5.1. SIPs headers shall be continuous sections without

splines. Headers shall be at least  $1\frac{7}{8}$  inches (302 mm) deep. Headers longer than 4 feet (1219 mm) shall be constructed in accordance with Section R602.7.

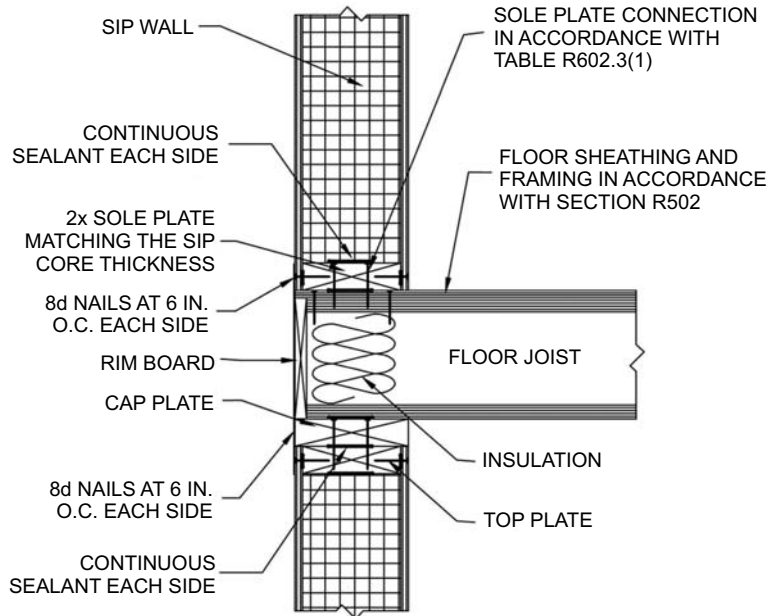
**R613.10.1 Wood structural panel box headers.** Wood structural panel box headers shall be allowed where SIP headers are not applicable. Wood structural panel box headers shall be constructed in accordance with Figure R602.7.2 and Table R602.7.2.

**WALL CONSTRUCTION**



For SI: 1 inch = 25.4 mm.

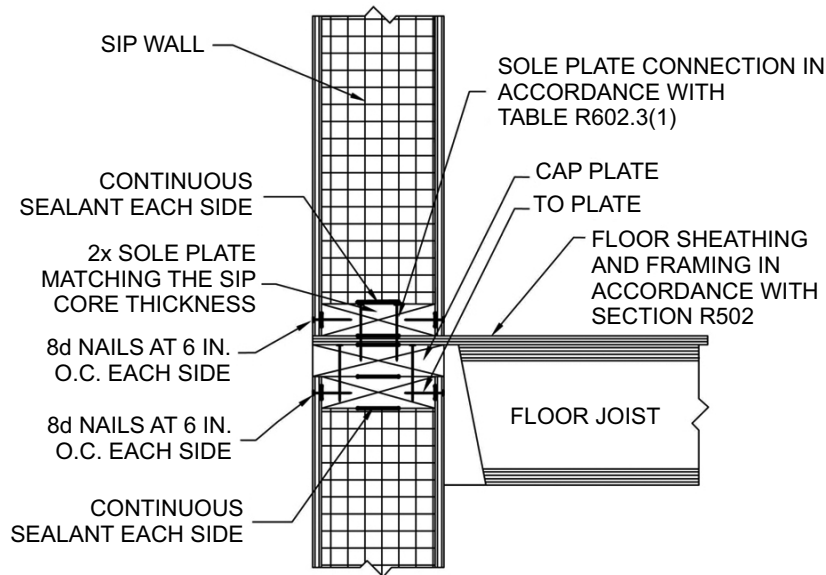
**FIGURE R613.5(3)  
TRUSSED ROOF TO TOP PLATE CONNECTION**



For SI: 1 inch = 25.4 mm.

Note: Figures illustrate SIP-specific attachment requirements. Other connections shall be made in accordance with Table R602.3(1) and (2) as appropriate.

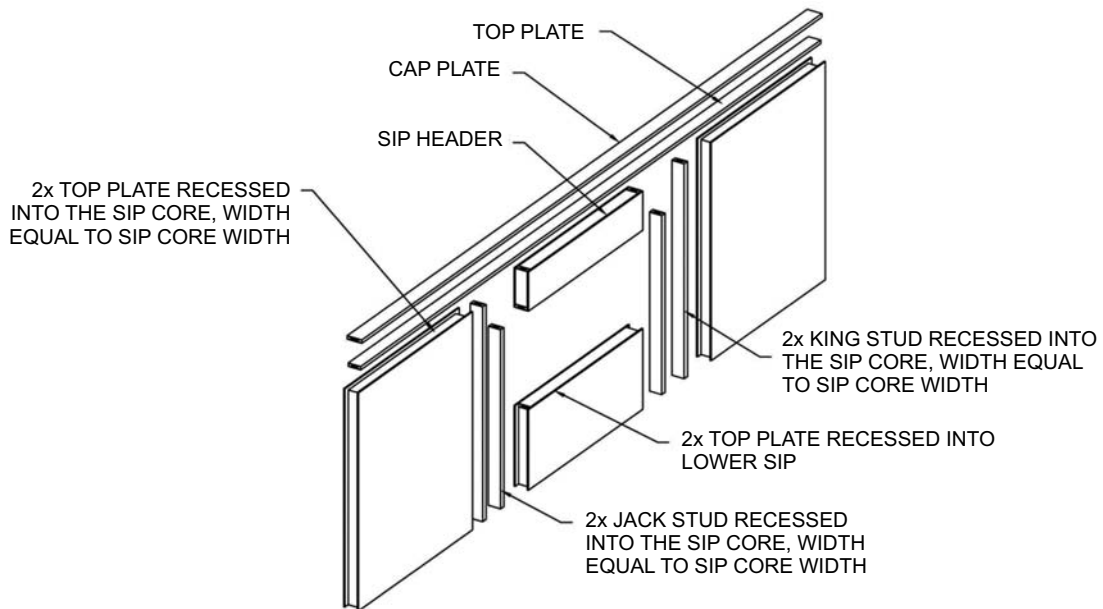
**FIGURE R613.5(4)  
SIP WALL TO WALL PLATFORM FRAME CONNECTION**



For SI: 1 inch = 25.4 mm.

Note: Figures illustrate SIP-specific attachment requirements. Other connections shall be made in accordance with Tables R602.3(1) and (2), as appropriate.

**FIGURE R613.5(5)**  
**SIP WALL TO WALL BALLOON FRAME CONNECTION**  
**(I-Joist floor shown for illustration only)**

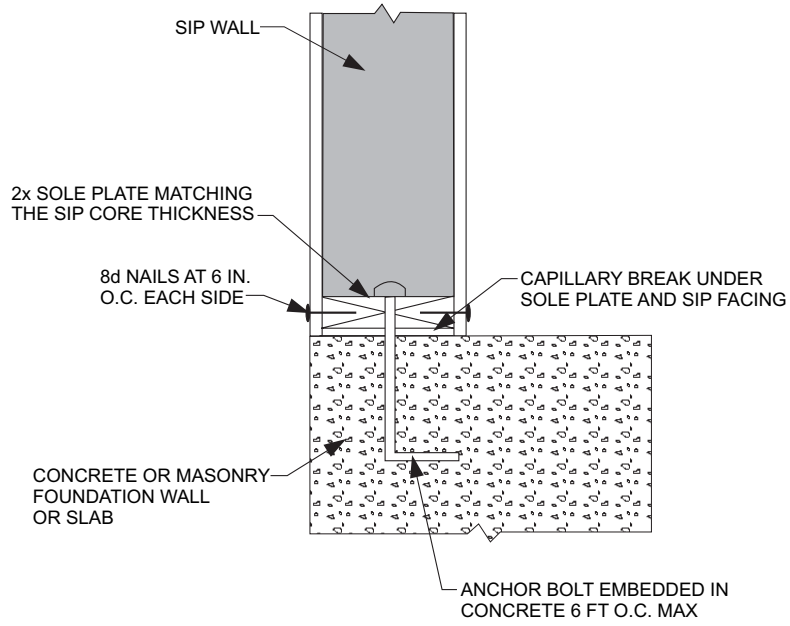


For SI: 1 inch = 25.4 mm.

Notes:

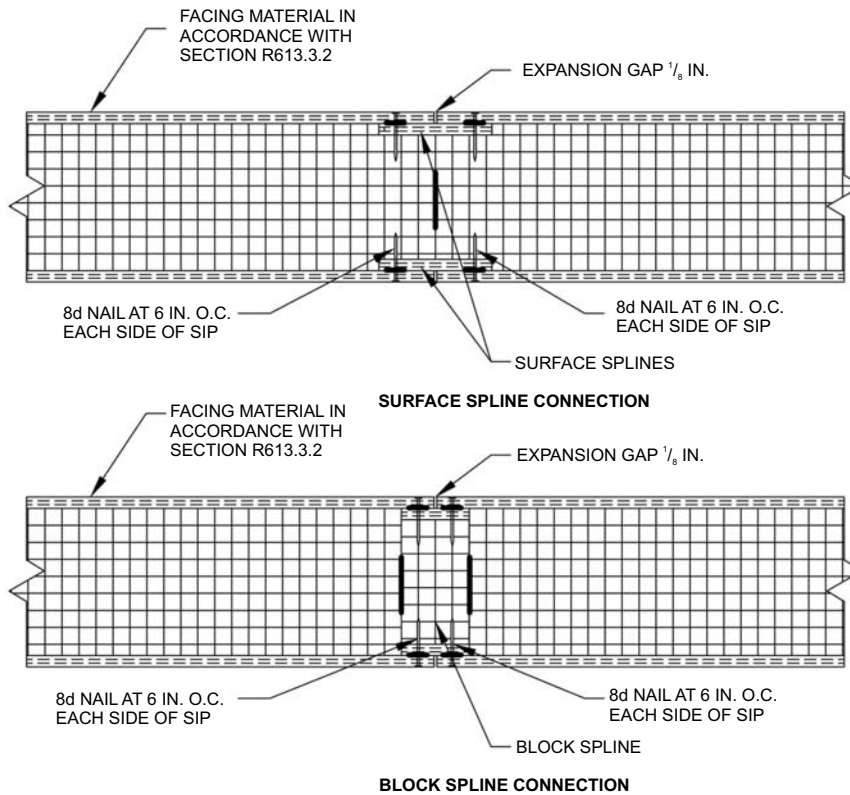
1. Top plates shall be continuous over header.
2. Lower 2x top plate shall have a width equal to the SIP core width and shall be recessed into the top edge of the panel. Cap plate shall be placed over the recessed top plate and shall have a width equal to the SIPs width.
3. SIP facing surfaces shall be nailed to framing and cripples with 8d common or galvanized box nails spaced 6 inches on center.
4. Galvanized nails shall be hot-dipped or tumbled. Framing shall be attached in accordance to Section R602.3(1) unless otherwise provide for in Section R613.

**FIGURE R613.5.1**  
**SIP WALL FRAMING CONFIGURATION**



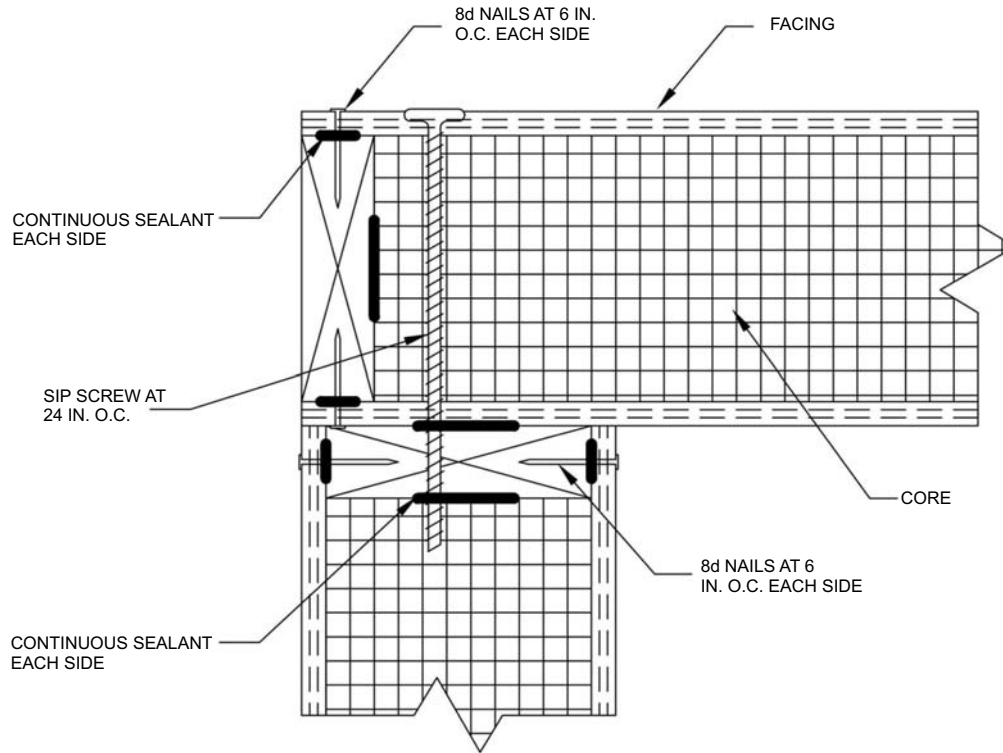
For SI: 1 inch = 25.4 mm, 1 foot = 304.8 mm.

**FIGURE R613.5.2**  
**SIP WALL TO CONCRETE SLAB FOR FOUNDATION WALL ATTACHMENT**



For SI: 1 inch = 25.4 mm.

**FIGURE R613.8**  
**TYPICAL SIP CONNECTION DETAILS FOR VERTICAL IN-PLANE JOINTS**



For SI: 1 inch = 25.4 mm.

**FIGURE R613.9  
SIP CORNER FRAMING DETAIL**

**TABLE R613.10  
MAXIMUM SPANS FOR 1 17/8 INCH DEEP SIP HEADERS (feet)**

LOAD CONDITION	SNOW LOAD (psf)	BUILDING WIDTH (feet)				
		24	28	32	36	40
Supporting roof only	20	4	4	4	4	2
	30	4	4	4	2	2
	50	2	2	2	2	2
	70	2	2	2	N/A	N/A
Supporting roof and one-story	20	2	2	N/A	N/A	N/A
	30	2	2	N/A	N/A	N/A
	50	2	N/A	N/A	N/A	N/A
	70	N/A	N/A	N/A	N/A	N/A

For SI: 1 inch = 25.4 mm, 1 foot = 304.8 mm.  
 Maximum deflection criterion:  $L/360$ .  
 Maximum roof dead load: 10 psf.  
 Maximum ceiling load: 5 psf.  
 Maximum second floor live load: 30 psf.  
 Maximum second floor dead load: 10 psf.  
 Maximum second floor dead load from walls: 10 psf.  
 N/A indicates not applicable.

